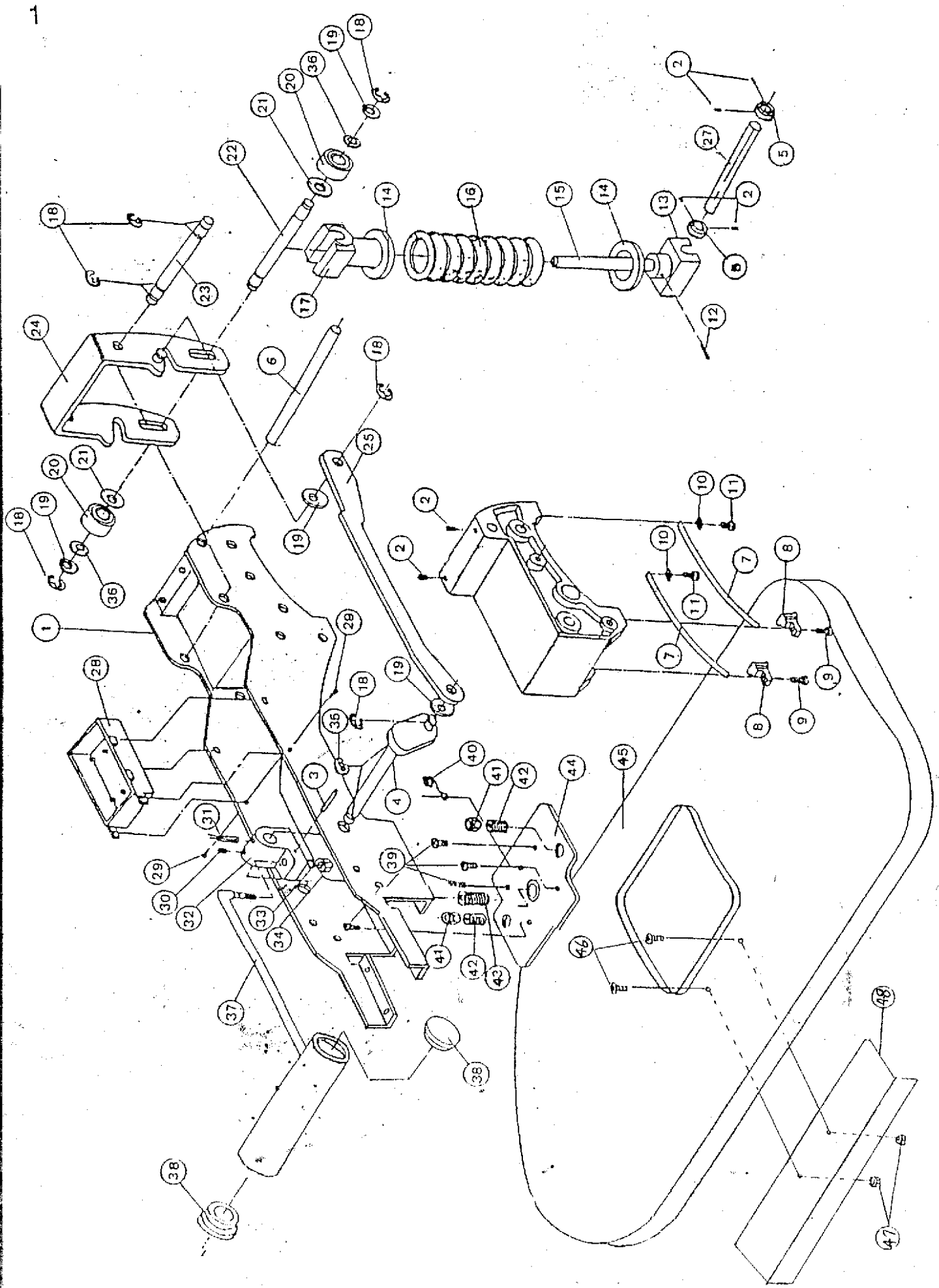


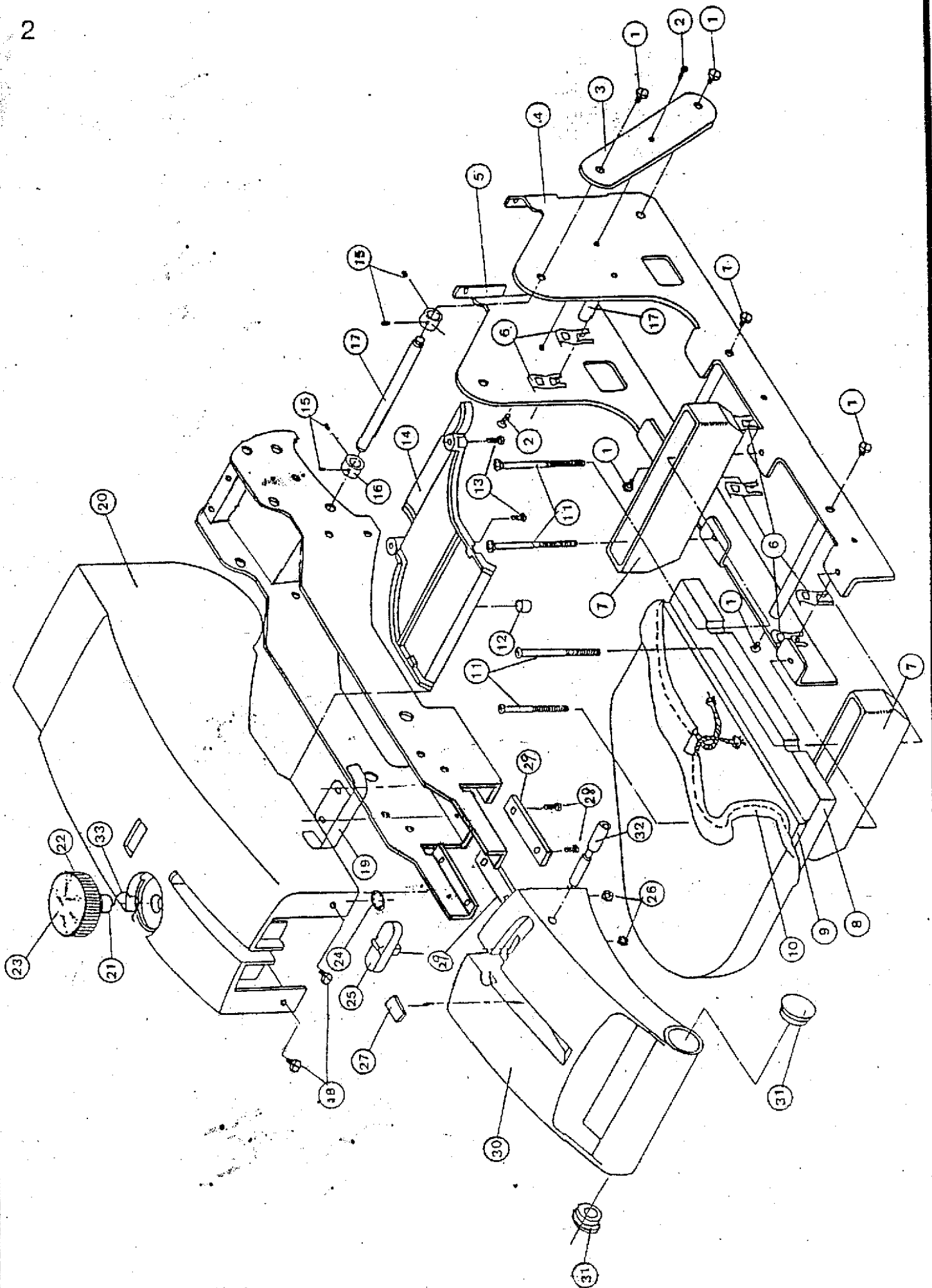
PARTS LIST  
\*\*\*\*\*

MODEL: NECCHI 101

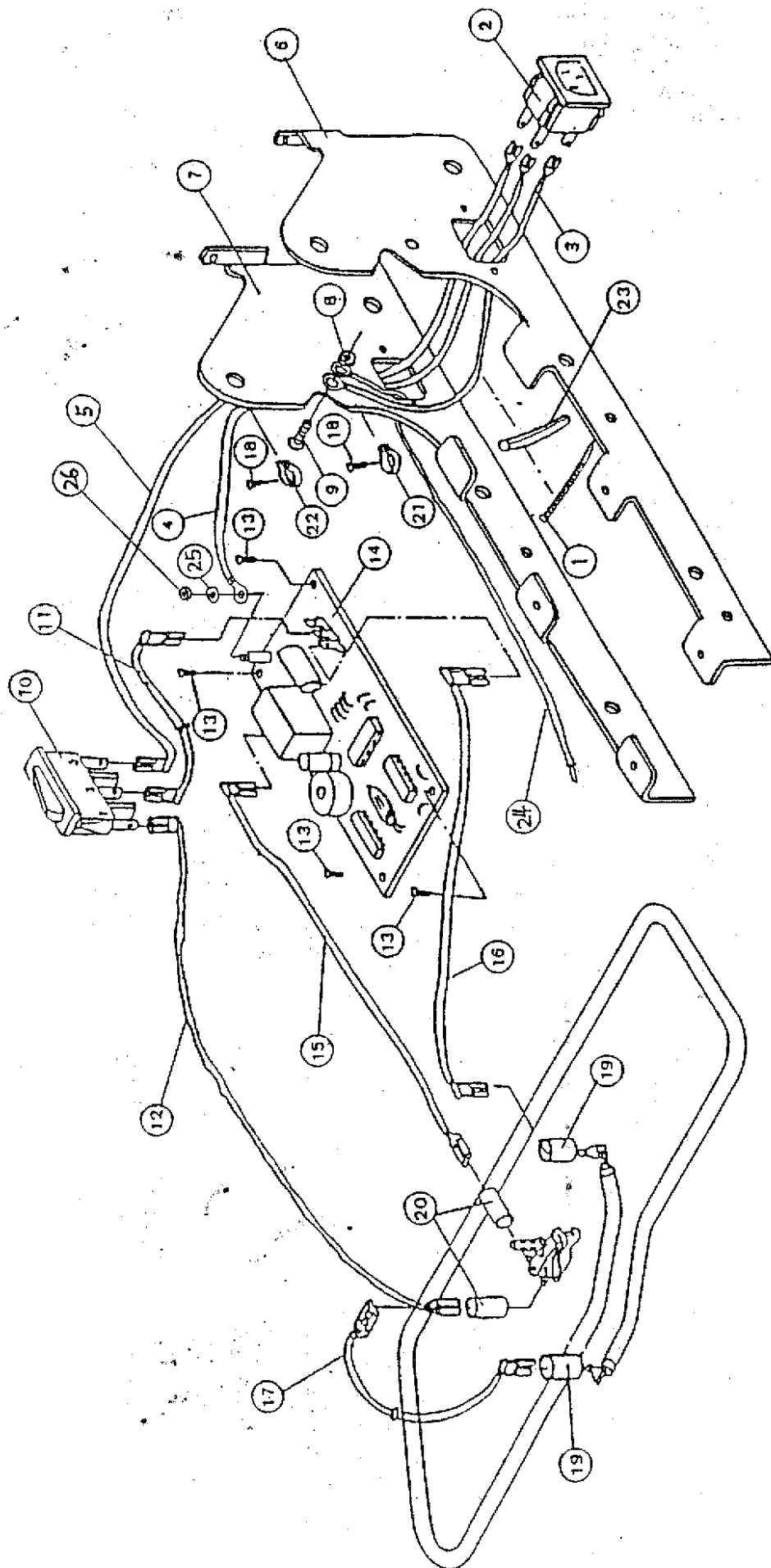
SUNBEEN PRECISION MACHINE INC.



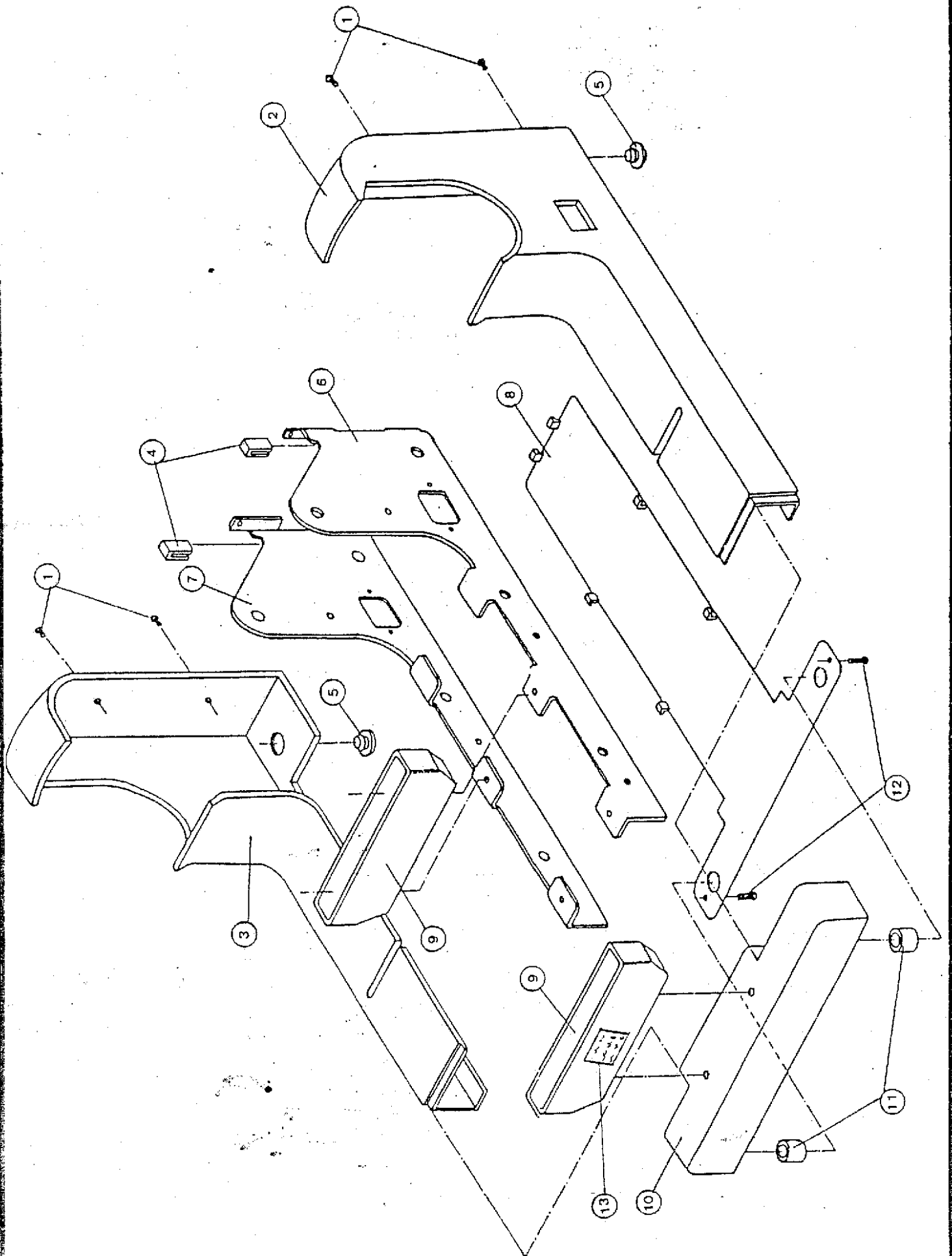
ref no.	sunbeen part no.	name of parts
01	900601200	PRESSER ARM COMP
02	301046000	SET SCREW
03	000003405	SPRING PIN 3*18
04	900018008	MOVABLE HANDLE SHAFT
05	900010000	BASE COLLAR
06	900011001	SHAFT
07	900002009	TRACK BLADE
08	900003000	TRACK STOPPER
09	570042006	SET SCREW
10	900004001	TRACK PRESSURE PLATE
11	450081002	SET SCREW
12	000003818	SPRING PIN
13	900023006	SPRING BASE
14	900024007	WASHER RING
15	900025008	LEAD SHAFT
16	900026009	PRESSURE SPRING
17	900027000	SPRING BASE
18	000000402	SNAP RING 6D
19	900020003	WASHER
20	900030006	BEARING
21	900029002	WASHER
22	900028001	BEARING SHAFT
23	900022005	SHAFT
24	900021004	MOVEMENT ROD
25	900019009	CONNECTING ROD
27	900009006	CENTER SHAFT
28	900074002	PC BOARD BOX
29	000011222	SET SCREW
30	301087003	SET SCREW
31	000003508	SPRING PIN 4*20
32	900017007	CONNECTOR
33	900031007	SPRING WASHER
34	000004509	NUT
35	000000608	SNAP RING
36	000006501	SHAP RINGT
37	900015016	MOVABLE HANDLE
38	900016017	HANDLE PLUG
39	301008000	SET SCREW
40	900085006	WIRE FIXATION
41	000004509	NUT
42	900063008	SPRING
43	000051028	SET SCREW
44	900013003	HANGING PLATE
45	900501427	HEATING SHOE COVER
46	000016009	SCREW
47	000004015	NUT
48	900134001	RESISTANCE PLATE E



ref no.	sunbeen part no.	name of parts
01	900036002	SET SCREW
02	250010004	SET SCREW
03	900037003	REINFORCEMENT PLATE
04	900033009	BOTTOM PLATE R
05	900034000	BOTTOM PLATE L
06	353049004	PANEL FIXATION
07	900042001	SUPPORTING BOX
08	900043002	WOODEN BOARD
09	900045004	PADDING FOAM
10	900502004	BOARD COVER
11	900044003	SET SCREW
12	351039005	EXTENSION RUBBER
13	000011222	SET SCREW
14	900072000	LOWER COVER
15	301046000	SET SCREW
16	900010000	BASE COLLAR
17	900009006	CENTER SHAFT
18	000011266	SET SCREW
19	900096000	HEATING SHOE PROTECTING PLATE
20	900069406	UPPER COVER
21	900075003	CONTROL BASE
22	900070019	TEMPERATURE CONTROLLER DIAL
23	900082003	CONTROL DIAL PANEL
24	000012108	SNAP RING
25	900066012	LOCKING LATCH
26	000004509	NUT
27	900077005	RUBBER WASHER
28	250010004	SET SCREW
29	900125009	HANDLE FIXED PLATE
30	900122017	FIXED HANDLE
31	900016017	HANDLE PLUG
32	900065000	LOCK PIN
33	900095009	SPRING

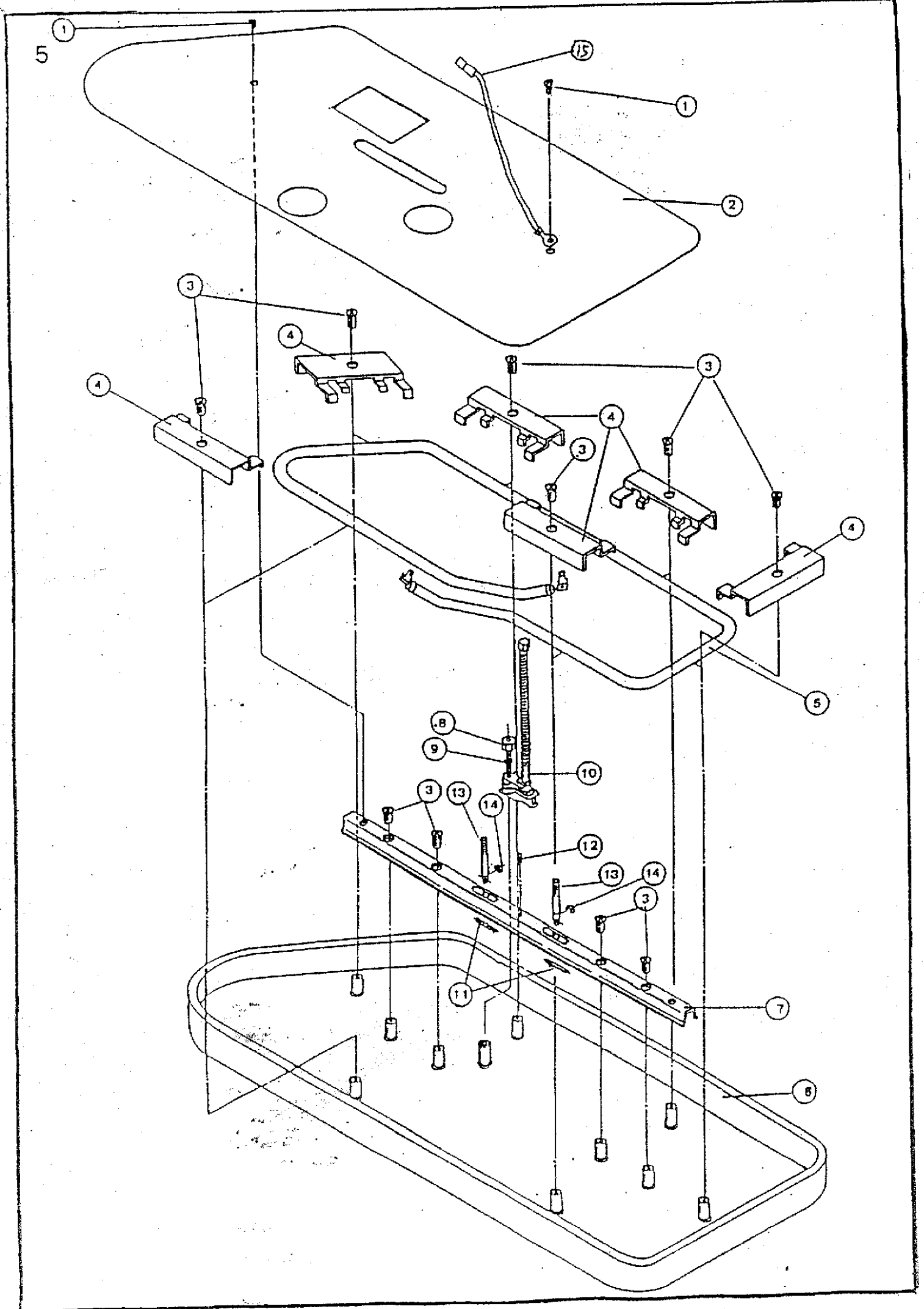


ref no.	sunbeen part no.	name of parts
01	351047109	BAND
02	900804009	RECEPTACE
03	900510005	EARTH WIRE
04	900508000	POWER CONNECTING WIRE
05	900509001	POWER CONNECTING WIRE
06	900033009	BOTTOM PLATE R
07	900034000	BOTTOM PLATE L
08	301193003	NUT
09	250010004	SET SCREW
10	900816004	ON-OFF SWITCH
11	900506008	CONNECTING WIRE
12	900511006	HEAT RESISTENT WIRE
13	000011222	SET SCREW
14	900813104	PC BOARD 220V-240V
15	900503005	HEAT RESISTENT WIRE A
16	900505007	HEAT RESISTENT WIRE C
17	900504006	HEAT RESISTENT WIRE B
18	250087002	SET SCREW
19	900087008	SILICON TUBE
20	900088009	SILICON TUBE
21	000001001	LIGHT CORD FIXATION
22	250057003	LIGHT CORD FIXATION
23	900097001	BUSHING
24	900526004	EARTH CORDS
25	000047010	WASHER
26	000004060	NUT

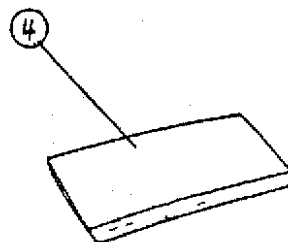
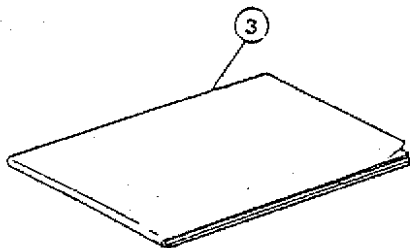
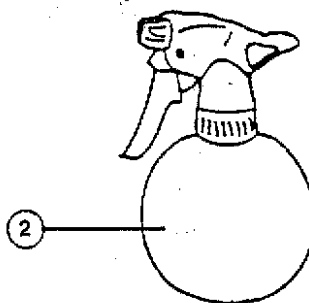
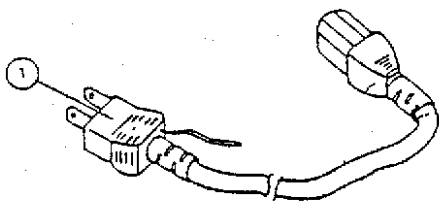




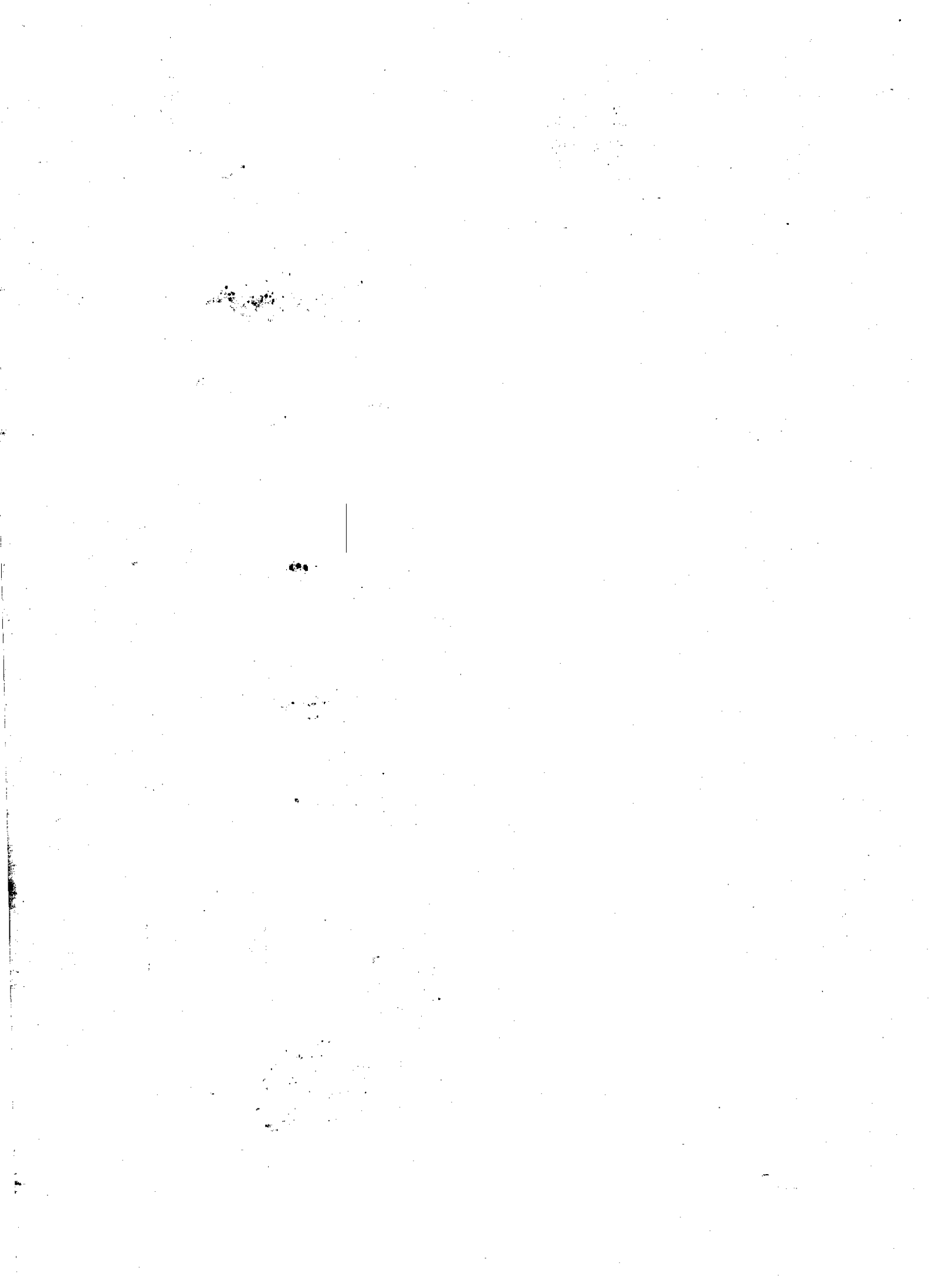
<u>ref</u> <u>no.</u>	<u>sunbeen</u> <u>part no.</u>	<u>name of parts</u>
01	250087002	SET SCREW
02	900039005	BOTTOM COVER R
03	900038004	BOTTOM COVER L
04	900086007	RUBBER WASHER
05	900040010	PLASTIC FOOT
06	900033009	BOTTOM PLATE R
07	900034000	BOTTOM PLATE L
08	900073001	BOTTOM COVER
09	900042001	SUPPORTING BOX
10	900041000	SUPPORTING FOOT
11	351012024	RUBBER FOOT
12	000011211	SET SCREW
13	900135002	RATING PLATE



ref no.	sunbeen part no.	name of parts
01	301037008	SET SCREW
02	900059001	HEAT REFLECTOR
03	000007007	SET SCREW
04	900055007	SPRING CLAMP
05	900053304	HEATING ELEMENT(220V-240V)
06	900048007	HEATING SHOE
07	900049008	PRESSER BAR
08	000019105	SET SCREW
09	301257006	WAVE WASHER
10	900805000	THERMOSTAT
11	900051003	HANGING ROD PIN
12	900050002	SUPPORTER
13	900052004	HANGING ROD
14	000000309	SNAP RING 5D
15	900525003	HEATING ELEMENTS (EARTHED)



<u>ref</u> <u>no.</u>	<u>sunbeen</u> <u>part no.</u>	<u>name of parts</u>
01	900808003	POWER CORD
02	900415009	HAND VAPORIGER
03	900448001	INSTRUCTION MANUAL
04	900401002	CLOTH COVER COMBINATION





OCT - 1 1999