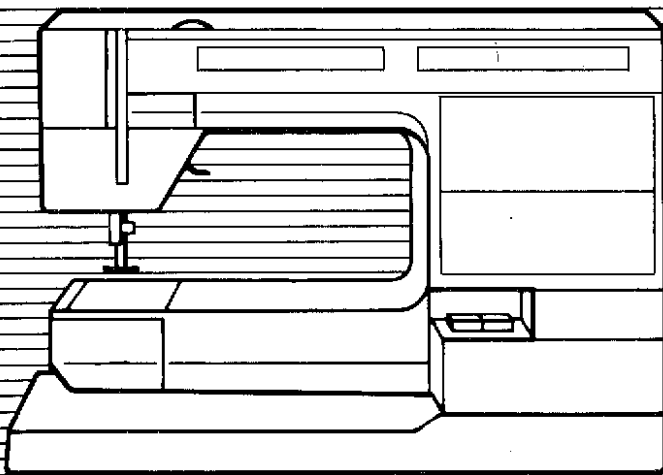


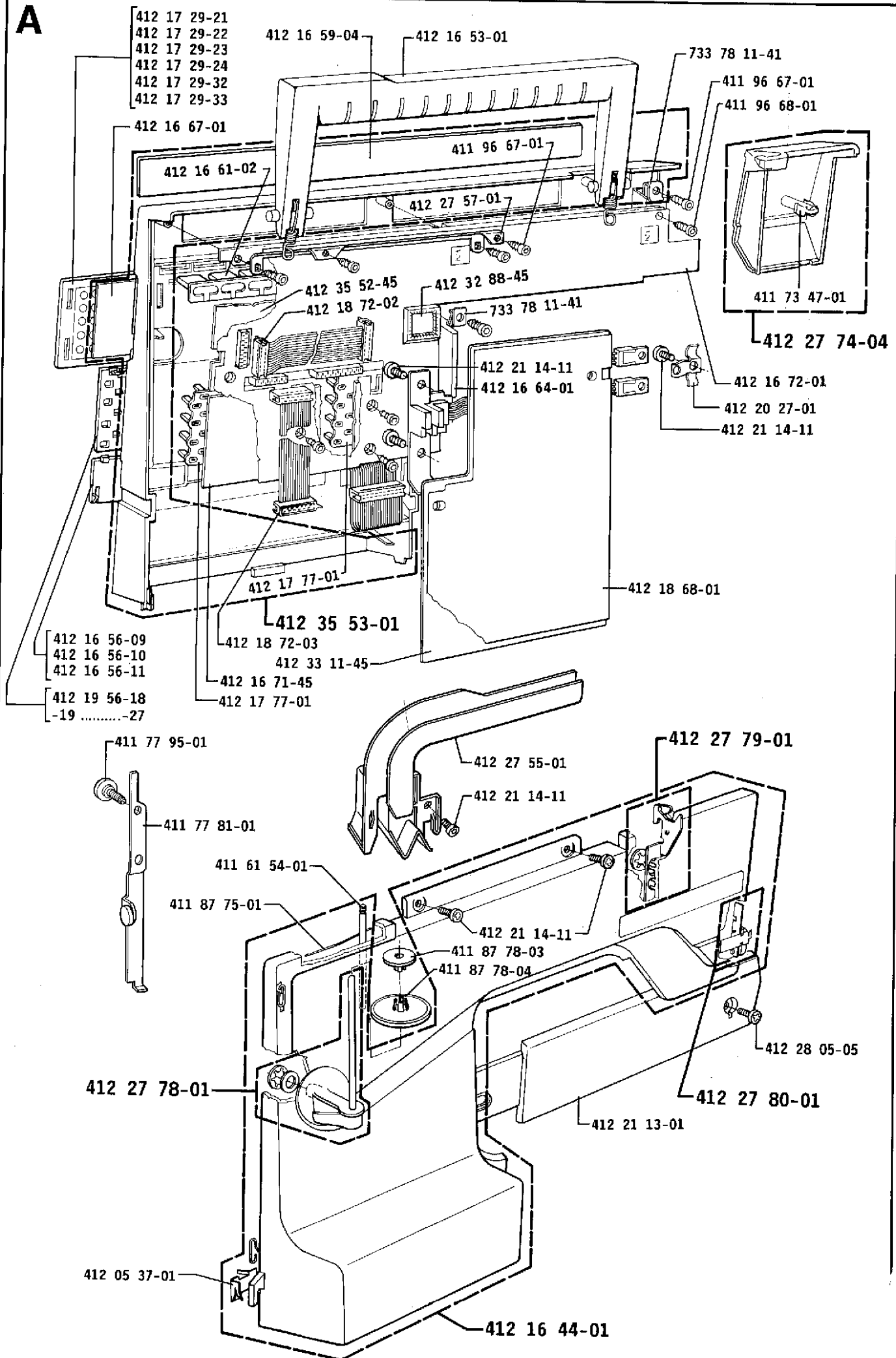
***Spare parts***  
***Ersatzteile***  
***Pièces détachées***  
***Reservdelar***



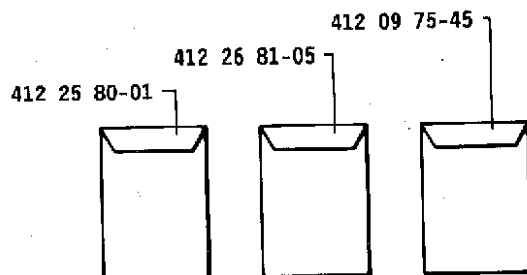
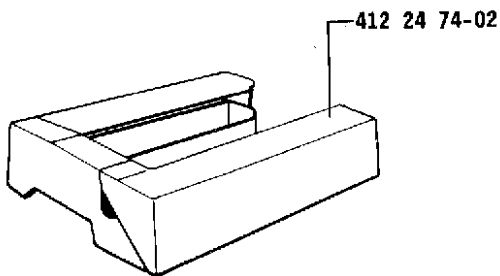
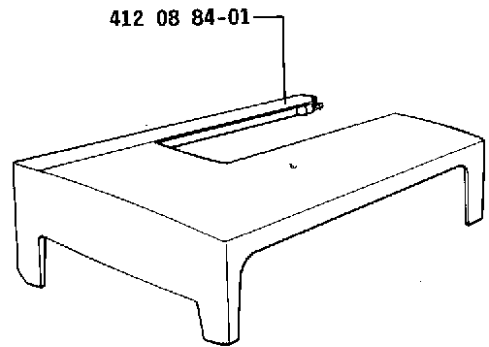
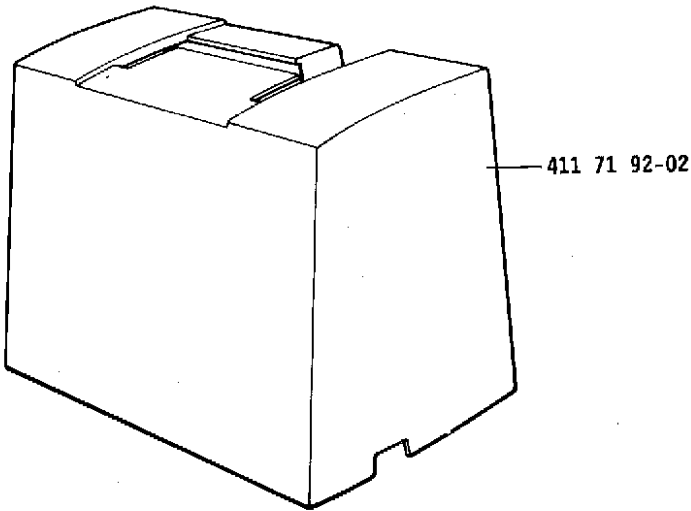
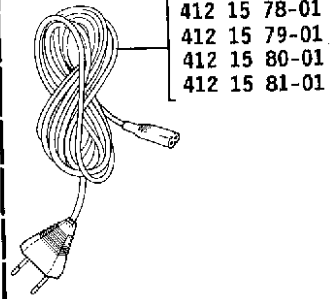
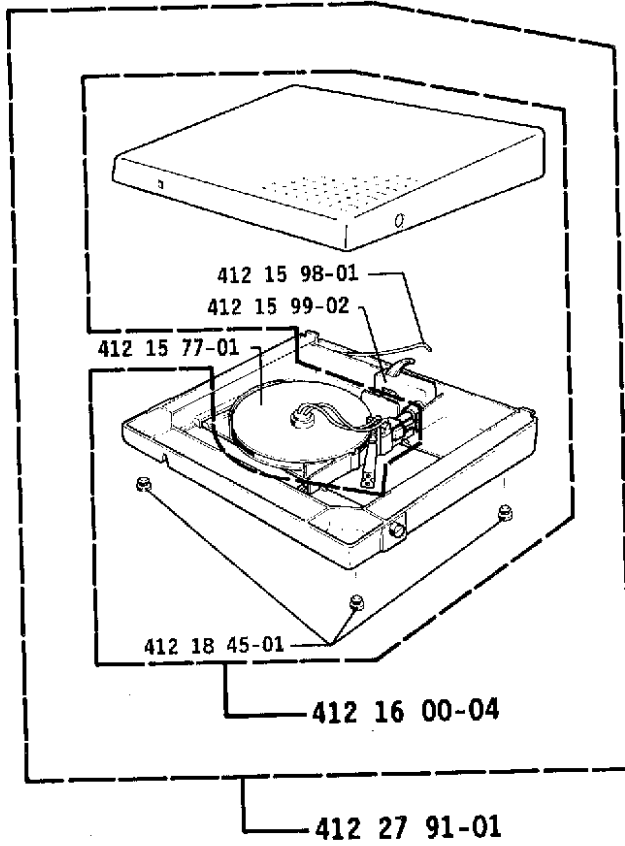
**1200**

Part no.	Description	Square	Part no.	Description	Square	Part no.	Description	Square
401 53 99-01	Buttonhole knife	F	412 15 78-01	Cord device, stand	F	412 24 53-01	Cable guide	B
401 55 55-01	Brush	F	412 15 79-01	Cord device, USA-Can	F	412 24 74-02	Accessory box, compl.	F
411 17 32-01	Clearance plate	F	412 15 80-01	Cord device, England	F	412 25 80-01	Plastic bag with access.	F
411 61 54-01	Thread pin	A	412 15 81-01	Cord device, Australia	F	412 26 18-03	Screw	D,D
411 63 24-02	Screw	D	412 15 93-01	Washer	D	412 26 79-01	Spring	C
411 64 14-01	Needle case	F	412 15 98-01	Spring	F	412 26 80-01	Thread take-up lever, cpl	D
411 70 54-01	Belt roll	B	412 15 99-02	Control unit	F	412 26 81-05	Plastic bag with access.	F
411 70 56-01	Nut	B	412 16 00-04	Foot control, compl.	F	412 27 14-01	Shaft, belt roll, compl.	B
411 70 58-05	Lower shaft, compl.	B	412 16 33-01	Spring	B	412 27 41-01	Sealing washer	F
411 70 60-01	Worm gear	B	412 16 34-01	Screw	B	412 27 48-01	Shaft, pin	E
411 70 64-01	Cog belt	B	412 16 35-01	Bobbin centre	B	412 27 55-01	Cable holder	A
411 70 67-01	Spring	B	412 16 40-01	Needle threader	F	412 27 57-01	Mounting clamp	A
411 70 78-01	Thread cutter	B	412 16 43-01	Hook cover	B	412 27 74-04	Front cover, sewing head	A
411 70 83-01	Adjustment casing	B	412 16 44-01	Cover plate, upper arm	A	412 27 75-01	Lifting pin, compl.	C
411 71 59-01	Spring	E	412 16 47-01	Handwheel	B	412 27 76-01	Shaft, feed dog, compl.	C
411 71 63-09	Base plate, compl.	E	412 16 48-01	Screen	B	412 27 77-01	Thread tension set, cpl.	E
411 71 92-02	Cover, compl.	F	412 16 53-01	Handle, compl.	A	412 27 78-01	Thread holder, compl.	A
411 71 97-01	Spring	C	412 16 56-09	Name plate, Viking No.1	A	412 27 79-01	Thread guide, compl.	A
411 72 00-01	Clamp	B	412 16 56-10	Name plate Husqvarna	A	412 27 80-01	Thread cutter, sewing	A
411 72 01-01	Clamp	C	412 16 56-11	Name plate, Husqv. No.1	A	412 27 91-01	Foot control, compl.	F
411 73 47-01	Binding clip	A	412 16 59-04	Panel display	A	412 28 05-05	Screw	A
411 73 89-01	Buttonhole foot C	F	412 16 61-02	Push-button assembly	A	412 28 16-02	Cassette case 1200	F
411 73 91-01	Pressar foot D	F	412 16 64-01	Code spring, cassette	A	412 28 90-01	Screw driver (small)	F
411 73 93-01	Zipper foot E	F	412 16 67-01	Foil keyboard	A	412 28 90-02	Screw driver (medium)	F
411 73 95-01	Edge guide	F	412 16 71-45	Guideboard, compl.	A	412 32 04-01	Cover for transf. 220 V	E
411 74 12-01	Driving wheel	B	412 16 72-01	Insulation plate	A	412 32 04-02	Cover for transf. 240 V	E
411 74 45-01	Presser foot ankle	D	412 16 74-01	Thread tension dev. cpl.	E	412 32 04-03	Cover for transf. 120 V	E
411 75 00-05	Needle bar, compl.	D	412 16 89-01	Spring	C	412 32 04-04	Cover for transf. 100 V	E
411 75 03-01	Stop, needle clamp	D	412 16 91-01	Clamp	C	412 32 34-01	Step motor	D
411 75 04-01	Thread guide	D	412 16 95-01	Block	C	412 32 34-02	Step motor	C
411 75 05-01	Screw	D	412 16 96-01	Dolly, fork	C	412 32 88-45	Program memory 1200	A
411 75 60-01	Screw	D	412 16 97-01	Spring	C	412 33 11-45	Circuit board 1200	A
411 77 16-01	Guide spindle	B	412 16 99-01	Connecting rod, compl.	C	412 33 64-01	Feed dog	C
411 77 53-01	Cog belt	E	412 17 00-02	Feeding mechan., compl.	C	412 33 65-01	Stitch plate, compl.	B
411 77 59-01	Motor, compl.	E	412 17 20-01	Spring	C	412 33 66-01	Washer	B
411 77 69-01	Spring	D	412 17 21-01	Slide pin	C	412 33 70-01	Side motion mechanism	C
411 77 81-01	Thread guide, compl.	A	412 17 29-21	Cassette A pattern	A	412 33 74-01	Clips	A
411 77 95-01	Shoulder screw	A	412 17 29-22	Cassette B block letters	A	412 34 59-01	Feeding guide, compl.	C
411 78 10-03	Light bulb	D,E	412 17 29-23	Cassette C script letters	A	412 34 65-01	Presser foot "S"	F
411 78 12-01	Feed dog lowering, cpl.	C	412 17 29-24	Cassette D pictogram	A	412 34 93-01	Shuttle shaft, compl.	B
411 78 20-11	Switch, feed dog lower.	C	412 17 29-32	Cassette L omnigram	A	412 35 52-45	LCD-board, compl.	A
411 78 20-12	Main switch	C	412 17 29-33	Cassette M monogram	A	412 35 53-01	Front cover, compl.	A
411 78 21-01	Lamp guard	E	412 17 52-01	Adjusting screw	E	415 06 03-01	Foot	E
411 78 30-01	Screw	B	412 17 54-01	Regulating dial	E	721 41 87-70	Pin	B
411 78 36-01	Spring	C	412 17 65-01	Lamp holder	E	723 12 27-01	Screw	C
411 78 40-01	Screw	B	412 17 68-01	Dust shield	B	724 11 68-01	Screw	D
411 79 05-01	Screw	D	412 17 77-01	Push-button assem. guide	A	724 11 89-01	Screw	E
411 83 88-02	Cable mat	E	412 17 84-01	Buttonhole meter, compl.	F	724 12 89-01	Screw	E
411 85 27-01	Pressar foot J	F	412 17 86-45	PC-board, 220-240V	E	724 12 92-01	Screw	E
411 85 30-01	Pressar foot H	F	412 17 86-47	PC-board, 120 V	E	725 52 27-00	Screw	D
411 86 86-01	Driving wheel, motor	E	412 17 86-48	PC-board, 100 V	E	725 52 32-00	Screw	D
411 87 75-01	Spring	A	412 18 19-01	Spring	C	728 52 17-05	Screw	D
411 87 78-03	Disc,thread reel holder	A	412 18 37-01	Lower thread sensor	B	728 52 87-00	Screw	D
411 87 78-04	Disc,thread reel holder	A	412 18 45-01	Foot	F	728 53 20-05	Screw	B
411 87 80-01	Attachment, compl.	A	412 18 68-01	Insulation plate	A	728 73 20-01	Screw	B
411 88 43-01	Hold down spring	B	412 18 72-02	Cable mat	A	728 83 23-05	Screw	B
411 96 67-01	Screw	A	412 18 72-03	Cable mat	A	731 23 10-01	Nut	C
411 96 68-01	Screw	A	412 19 06-01	Hook cover, compl.	B	733 78 11-41	Quick-acting lock nut	A
412 00 07-01	Screw	C	412 19 56-18	Panel, guide, Swedish	A	734 11 36-01	Washer	E
412 00 16-01	Pressar foot decorative	F	412 19 56-19	Panel, guide, Danish	A	734 11 40-01	Washer	E
412 00 86-01	Shoulder screw	D	412 19 56-20	Panel, guide, Finnish	A	735 58 35-00	Locking washer	E
412 00 87-01	Adjusting nut	D	412 19 56-21	Panel, guide, Norwegian	A			
412 00 88-01	Nut	D	412 19 56-22	Panel, guide, English	A			
412 02 74-01	Bobbin winding, cpl.	E	412 19 56-23	Panel, guide, French	A			
412 02 75-01	Locking ring	E	412 19 56-24	Panel, guide, Dutch	A			
412 03 74-01	Pressar foot B	F	412 19 56-25	Panel, guide, Italian	A			
412 05 37-01	Thread cutter	A	412 19 56-26	Panel, guide, Spanish	A			
412 05 60-01	Screw	E	412 19 56-27	Panel, guide, German	A			
412 05 60-07	Screw	E	412 19 79-01	Arm shaft, compl.	B			
412 05 60-11	Screw	C	412 19 80-01	Pin	B			
412 08 38-46	Marking pen, neutral	F	412 19 85-01	Step motor	E			
412 08 49-01	Hook	F	412 20 11-01	Length feeding fork, cpl	C			
412 08 84-01	Extension table compl.	F	412 20 27-01	Mounting clip	A			
412 08 87-01	Nut	B	412 21 13-01	Cover plate, free arm cpl	A			
412 09 68-01	Finger	B	412 21 14-01	Screw	D			
412 09 69-01	Latch	B	412 21 14-03	Screw	D			
412 09 72-01	Bobbin case, compl.	B	412 21 14-06	Screw	C			
412 09 74-01	Thread tension spring	B	412 21 14-11	Screw	A,B,C,E			
412 09 75-45	Bobbins (10)	F	412 21 14-14	Screw	C			
412 15 00-01	Sewing head, compl.	D	412 22 36-45	Transformer 220 V	E			
412 15 02-01	Lifting arm	D	412 22 36-46	Transformer 240 V	E			
412 15 11-01	Plate	D	412 22 36-47	Transformer 120 V	E			
412 15 14-01	Shaft, sewing frame	D	412 22 36-48	Transformer 100 V	E			
412 15 15-01	Pressar bar	D	412 22 52-01	Screw	B			
412 15 16-01	Spring	D	412 22 53-01	Bushing	B			
412 15 23-01	Cross head, compl.	D	412 22 55-01	Micro switch, kpl.	D			
412 15 31-01	Regulating dial	D	412 22 70-01	Lamp holder	D			
412 15 35-01	Needle bar frame, compl	D	412 22 80-01	Setting screw	C			
412 15 54-01	Screw	D	412 22 87-01	Lever	B			
412 15 77-01	Cord device	F	412 22 98-01	Locking nut	C			

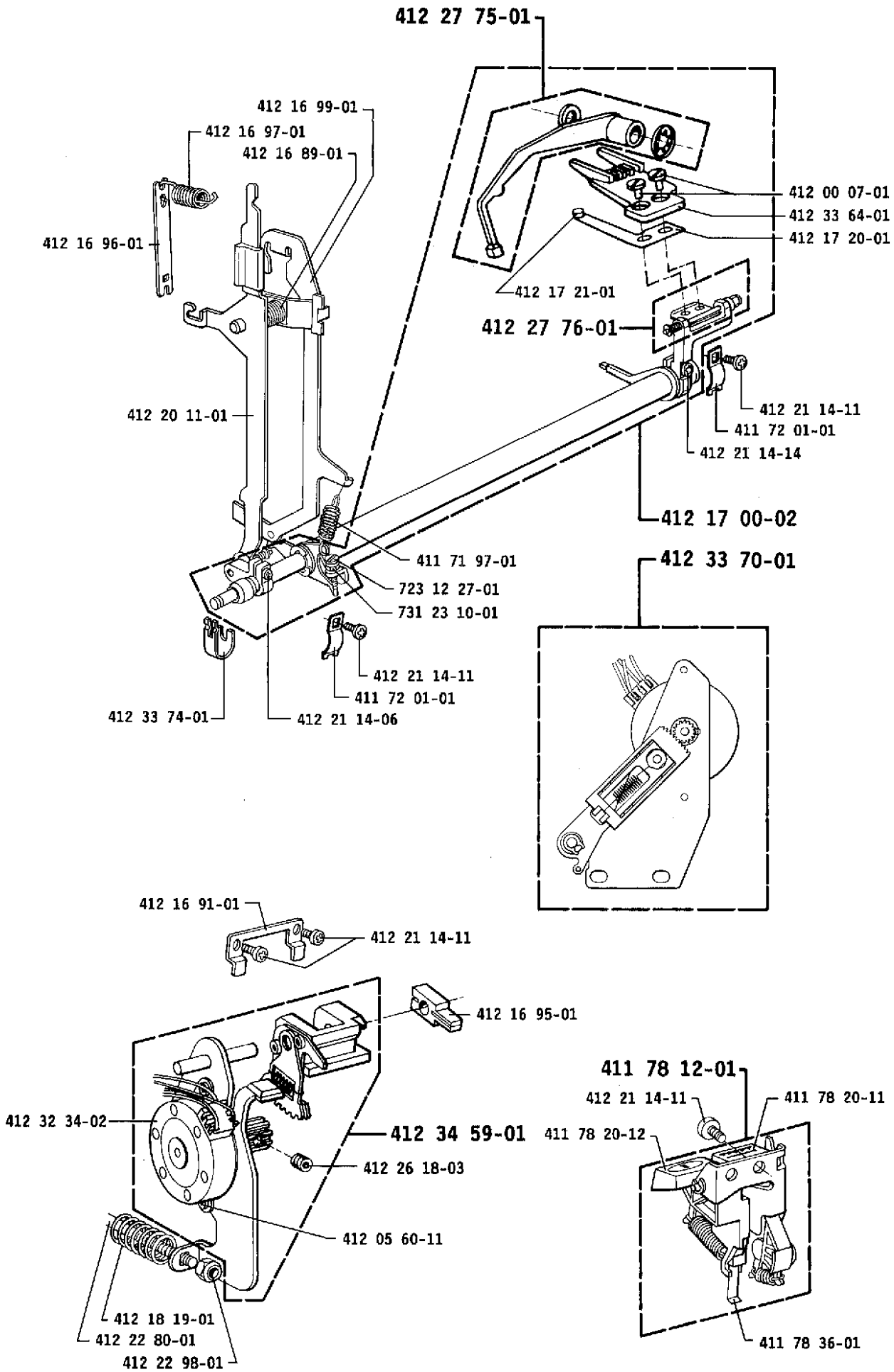
**A**



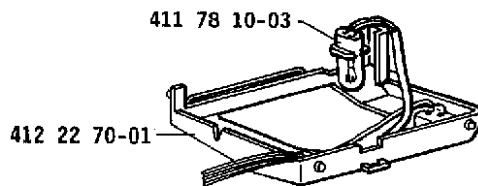
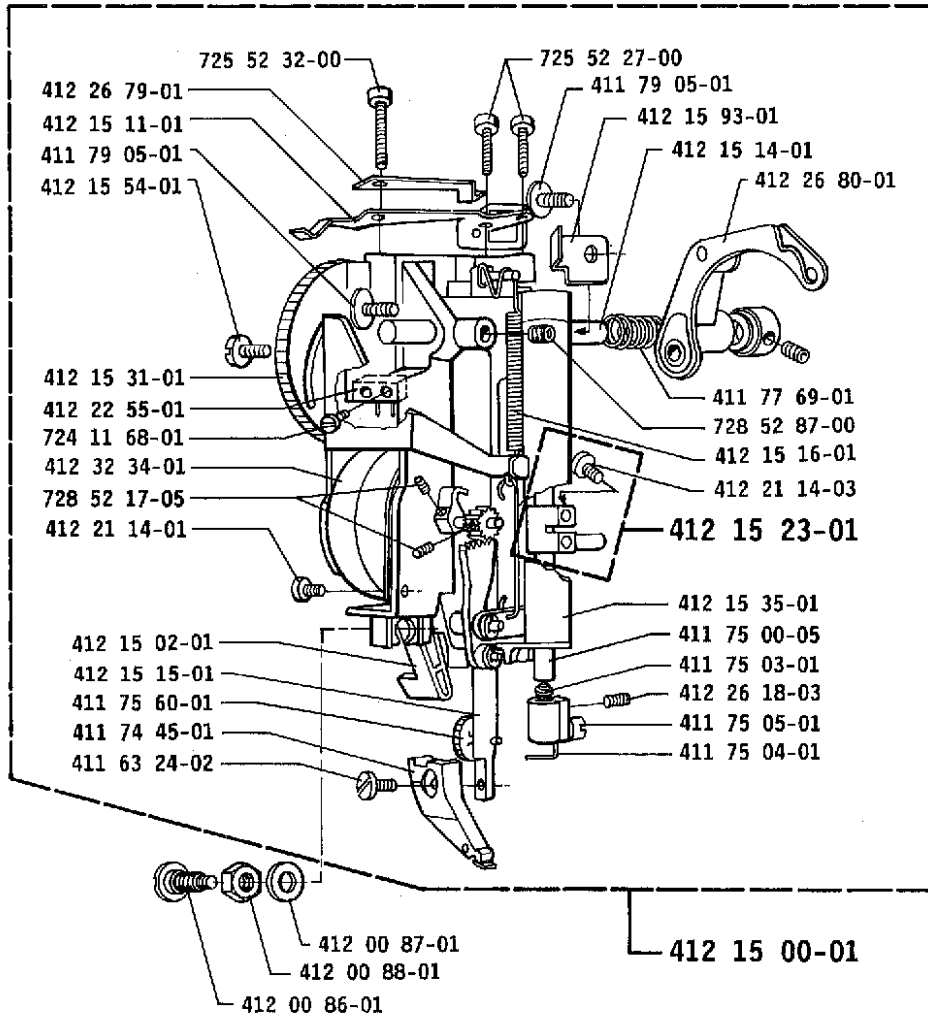
F



C

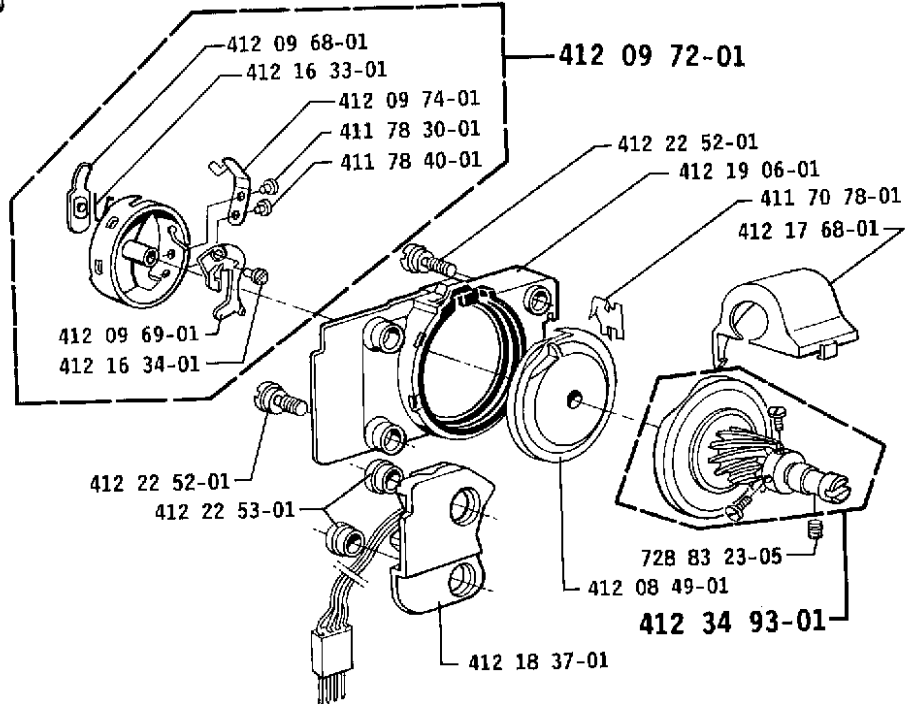
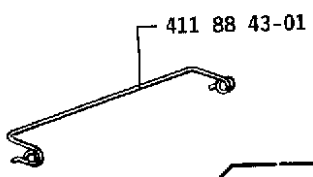
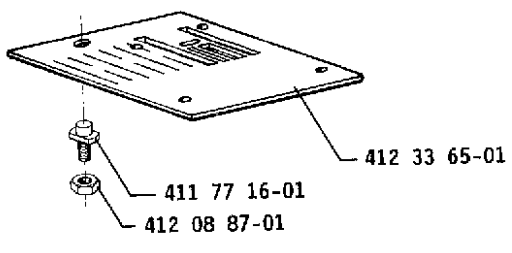
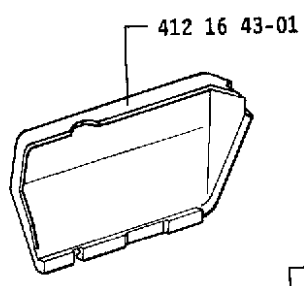
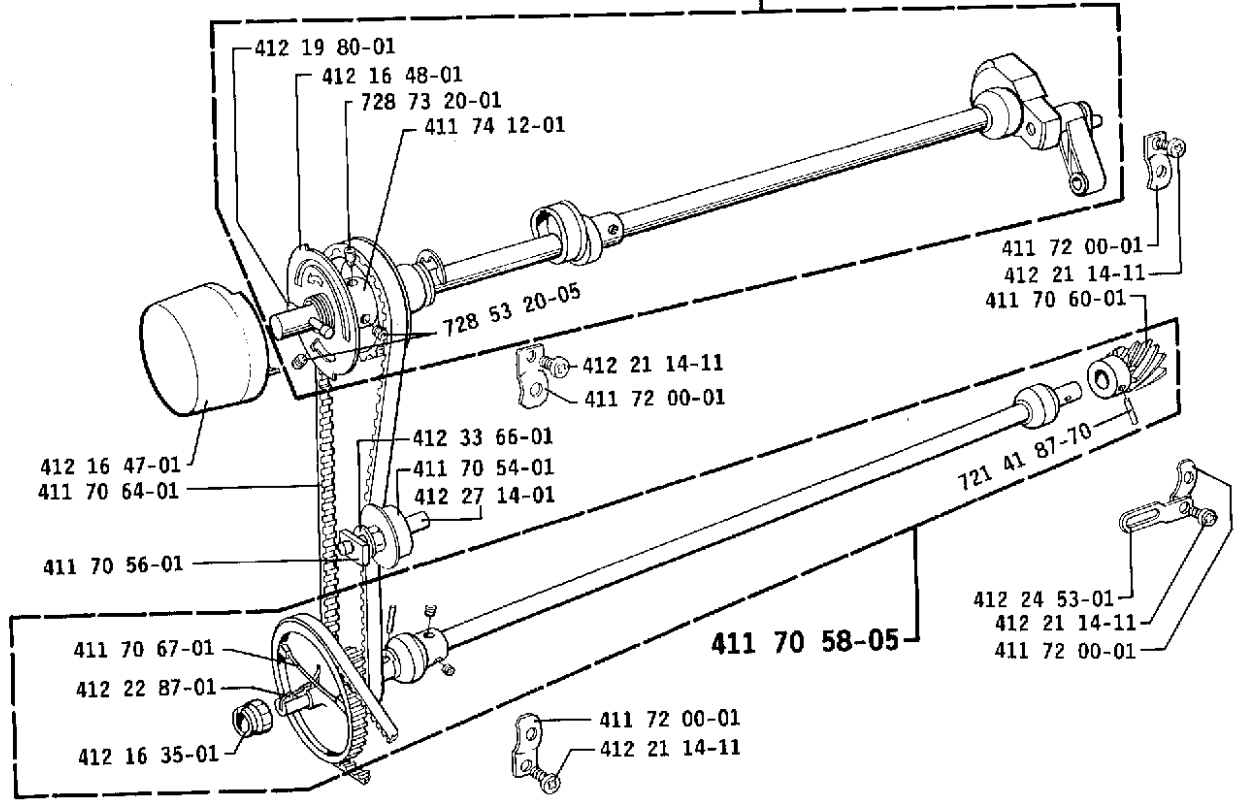


D



**B**

412 19 79-01



E

