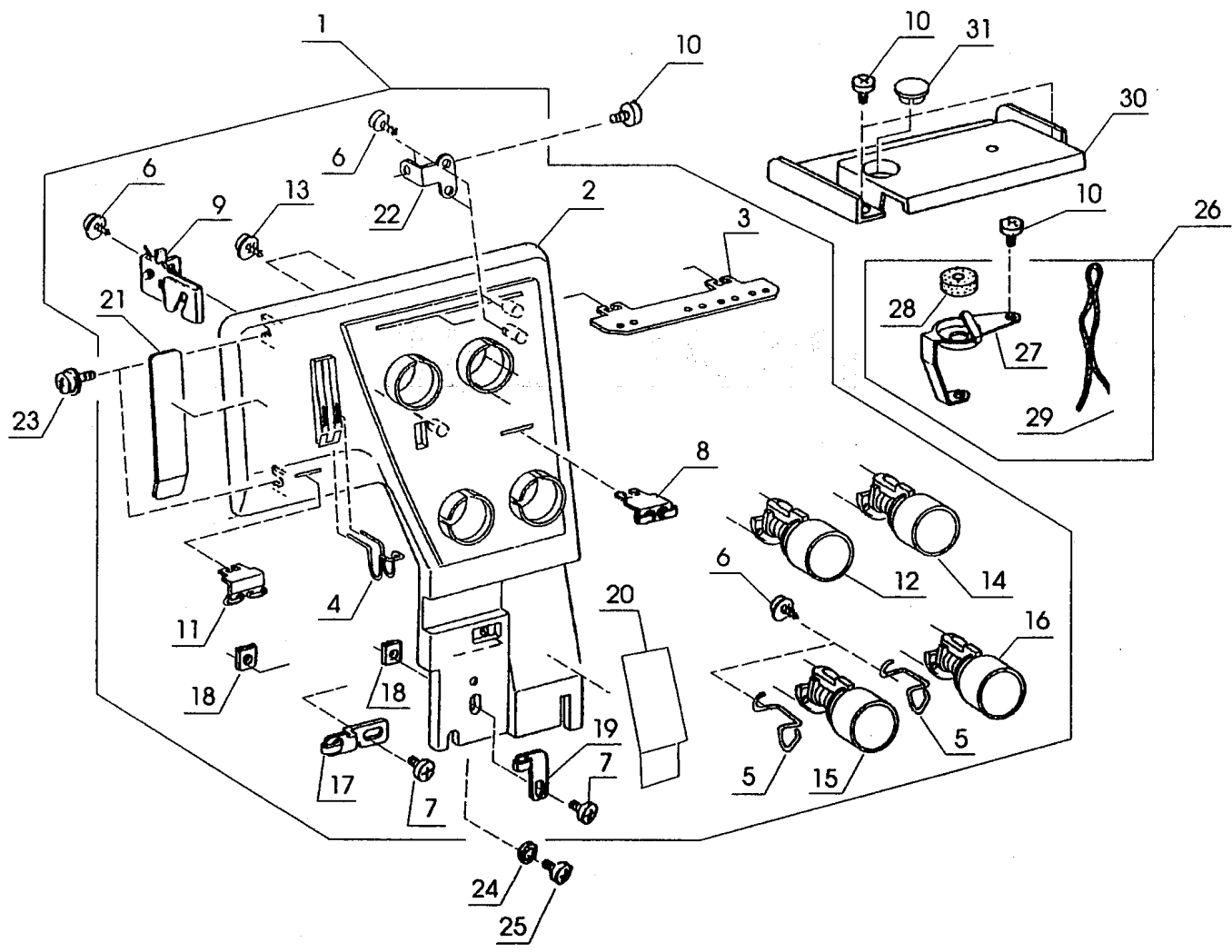


# PARTS LIST

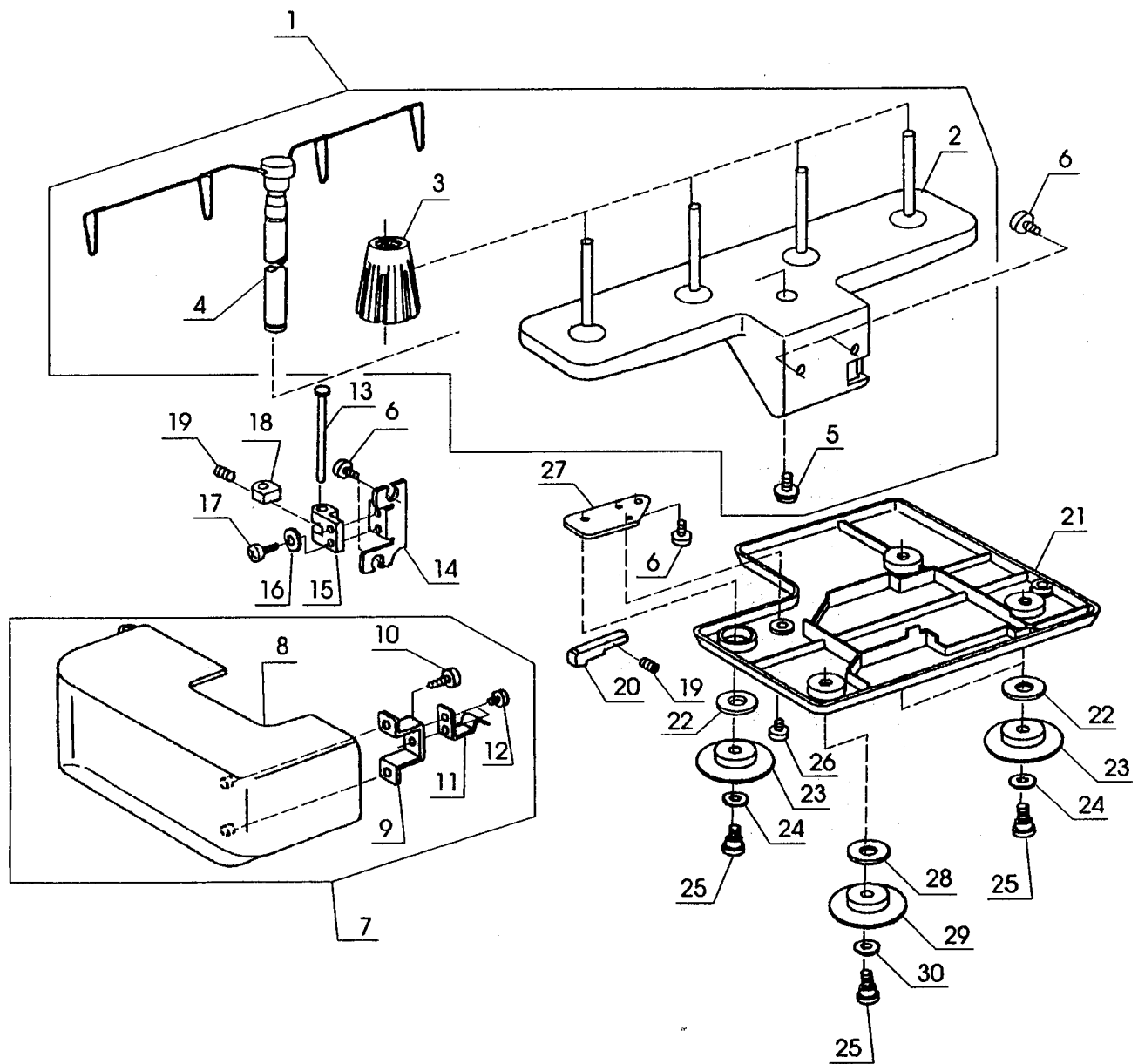
# PARTS LIST



# PARTS LIST

| KEY NO. | PARTS NO. | DESCRIPTION             |
|---------|-----------|-------------------------|
| 1       | 777602XXX | CONTROL PANEL UNIT      |
| 2       | 777007XXX | CONTROL PANEL           |
| 3       | 785229001 | THREAD GUIDE PLATE      |
| 4       | 785230005 | THREAD GUIDE            |
| 5       | 785231006 | THREAD GUIDE            |
| 6       | 000149301 | SCREW 3X8 (B)           |
| 7       | 000066727 | SCREW 3X8               |
| 8       | 785232007 | THREAD GUIDE            |
| 9       | 785607007 | CHECK SPRING UNIT       |
| 10      | 000081005 | SCREW 4X8               |
| 11      | 785015002 | THREAD GUIDE            |
| 12      | 785687104 | TENSION DIAL UNIT       |
| 13      | 000114709 | SCREW 3X6               |
| 14      | 785688105 | TENSION DIAL UNIT       |
| 15      | 785554101 | TENSION DIAL UNIT       |
| 16      | 785555102 | TENSION DIAL UNIT       |
| 17      | 785247005 | THREAD GUIDE            |
| 18      | 630005006 | NUT                     |
| 19      | 784106008 | THREAD GUIDE            |
| 20      | 785248006 | THREADING CHART         |
| 21      | 785249007 | REFLECTING PLATE        |
| 22      | 785250001 | SET PLATE               |
| 23      | 000115607 | SCREW 4X8               |
| 24      | 000071035 | WASHER                  |
| 25      | 000077617 | SCREW 4X10              |
| 26      | 784625019 | OIL WICK SUPPORTER UNIT |
| 27      | 784111017 | OIL PAD SUPPORTER       |
| 28      | 784113008 | OIL PAD                 |
| 29      | 763033020 | OIL WICK                |
| 30      | 784114010 | TOP COVER               |
| 31      | 777009008 | CAP                     |

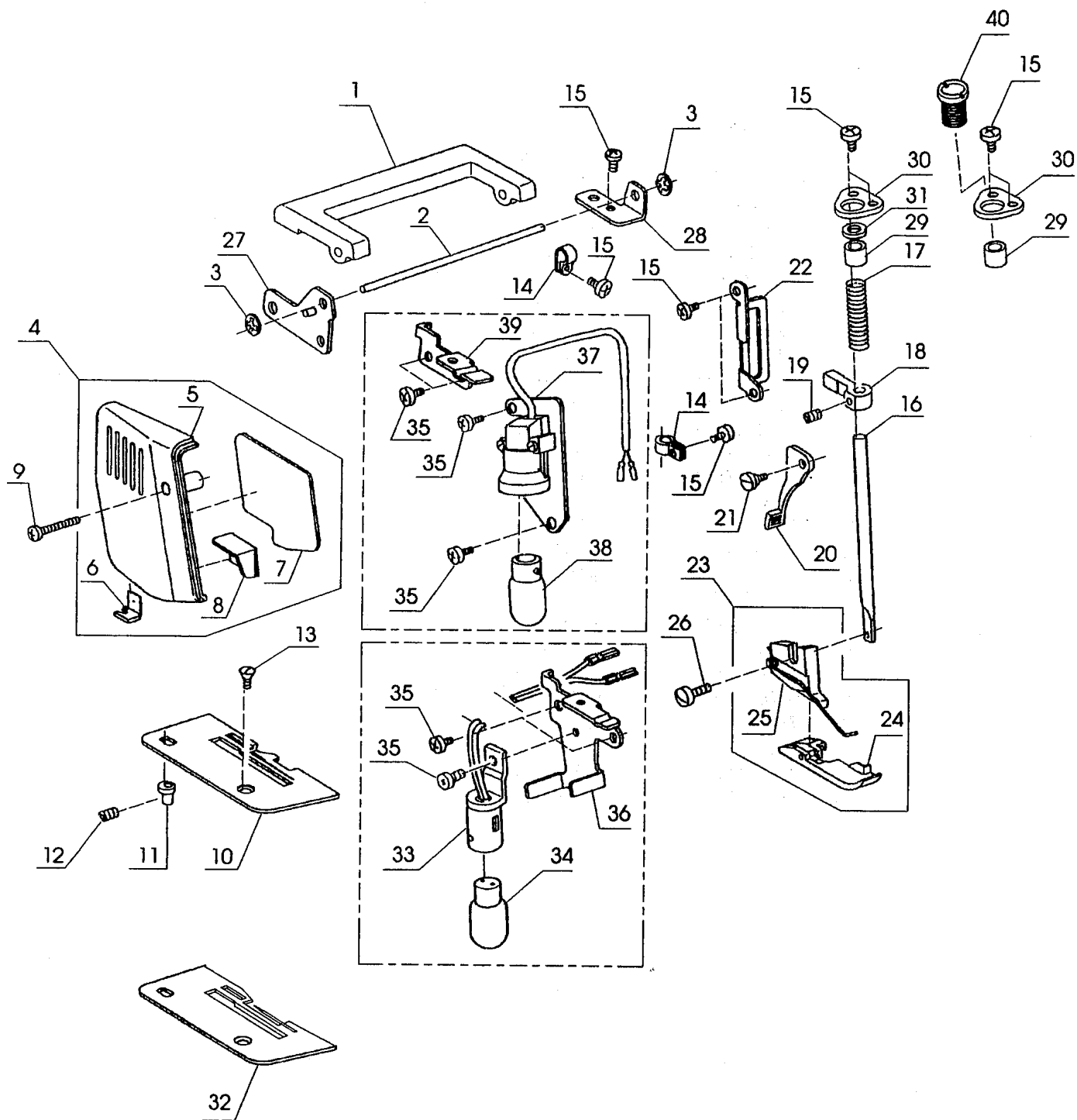
## PARTS LIST



# PARTS LIST

| KEY NO. | PARTS NO. | DESCRIPTION                  |
|---------|-----------|------------------------------|
| 1       | 777603008 | SPOOL STAND UNIT             |
| 2       | 777011003 | SPOOL STAND                  |
| 3       | 784223105 | SPOOL HOLDER                 |
| 4       | 785692102 | THREAD GUIDE BAR             |
| 5       | 000115700 | SCREW 4X10                   |
| 6       | 000081005 | SCREW 4X8                    |
| 7       | 785680200 | SIDE COVER UNIT              |
| 8       | 785264008 | SIDE COVER                   |
| 9       | 785265009 | SET PLATE                    |
| 10      | 000107802 | SCREW 3X10 (B)               |
| 11      | 784140004 | SPRING                       |
| 12      | 000103808 | SCREW 3X5                    |
| 13      | 784142006 | HINGE PIN                    |
| 14      | 784161001 | SET PLATE                    |
| 15      | 785266000 | HINGE                        |
| 16      | 000070908 | WASHER                       |
| 17      | 000104201 | SCREW 3.5X10                 |
| 18      | 785267001 | HINGE RING                   |
| 19      | 000111201 | SCREW 4X4                    |
| 20      | 784143007 | STOPPER                      |
| 21      | 785282002 | MACHINE BASE                 |
| 22      | 785260004 | WASHER                       |
| 23      | 784135006 | CUSHION                      |
| 24      | 000070300 | WASHER                       |
| 25      | 784169009 | HINGE SCREW                  |
| 26      | 000103509 | SCREW 4X10                   |
| 27      | 777010002 | SET PLATE                    |
| 28      | 787204006 | WASHER (FOR LEFT FRONT LEG)  |
| 29      |           | CUSHION (FOR LEFT FRONT LEG) |
| 30      |           | WASHER                       |

# PARTS LIST

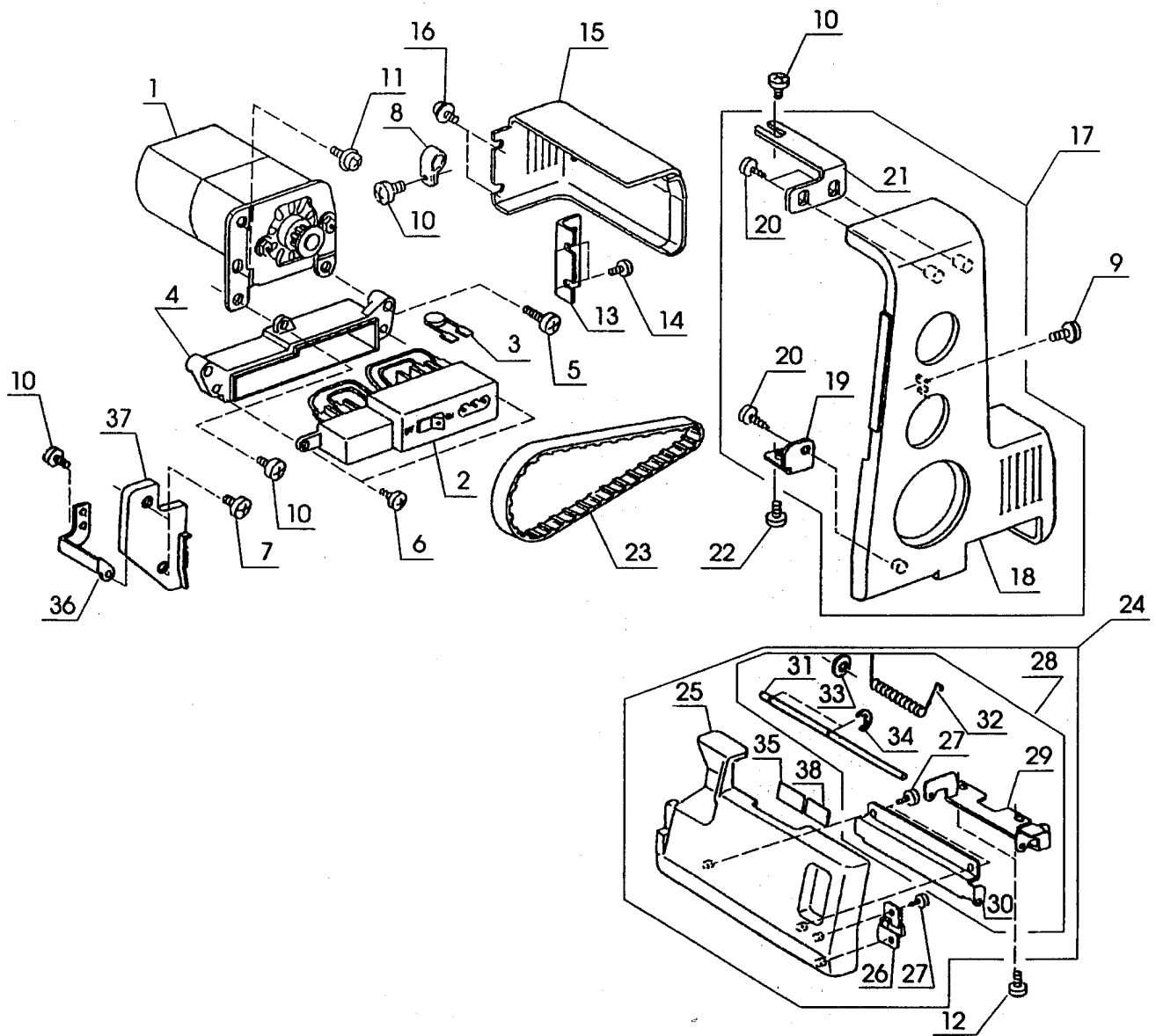


# PARTS LIST

| KEY<br>NO. | PARTS<br>NO. | DESCRIPTION                         |
|------------|--------------|-------------------------------------|
| 1          | 784005006    | CARRYING HANDLE                     |
| 2          | 784006007    | PIN                                 |
| 3          | 000014007    | CS RING 4                           |
| 4          | 785671002    | FACE PLATE UNIT                     |
| 5          | 785206002    | FACE PLATE                          |
| 6          | 822532008    | THREAD CUTTER                       |
| 7          | 785207003    | REFLECTING STICKER                  |
| 8          | 785272009    | REFLECTING PLATE                    |
| 9          | 000106812    | SCREW 4X35                          |
| 10         | 785609009    | NEEDLE PLATE                        |
| 11         | 784004005    | ECCENTRIC PIN                       |
| 12         | 000111902    | SCREW 3X4                           |
| 13         | 681009101    | SCREW                               |
| 14         | 000188405    | NYLON CLIP ACC-2                    |
| 15         | 000081005    | SCREW 4X8                           |
| 16         | 784029006    | PRESSER BAR                         |
| 17         | 784030000    | SPRING                              |
| 18         | 724118007    | GUIDE BRACKET                       |
| 19         | 000111304    | SCREW 5X5                           |
| 20         | 650032015    | PRESSER FOOT LIFTER                 |
| 21         | 810431009    | HINGE SCREW                         |
| 22         | 784032002    | PRESSER BAR GUIDE                   |
| 23         | 787540007    | PRESSER FOOT UNIT                   |
| 24         | 785501114    | PRESSER FOOT                        |
| 25         | 787541008    | FOOT HOLDER                         |
| 26         | 763048006    | SCREW                               |
| 27         | 785277004    | SUPPORTING PLATE (L)                |
| 28         | 785278005    | SUPPORTING PLATE (R)                |
| 29         | 777002001    | PRESSER BAR METAL (UPPER)           |
| 30         | 777003002    | PRESSURE ADJUSTING SCREW BASE PLATE |
| 31         | 777004003    | SPACER                              |
| 32         | 784626009    | NEEDLE PLATE UNIT (FOR ROLLED HEM)  |
|            | (110~120V)   |                                     |
| 33         | 787633008    | LAMP SOCKET UNIT (CSA)              |
|            | 787510008    | LAMP SOCKET UNIT (UL)               |
| 34         | 000009803    | LAMP                                |
| 35         | 000101404    | SCREW 4X6                           |
| 36         | 785205001    | LAMP SOCKET SET PLATE               |
|            | (220~240V)   |                                     |
| 37         | 784503009    | LAMP SOCKET UNIT                    |
|            | 784503102    | LAMP SOCKET UNIT (VDE)              |
| 38         | 000009009    | LAMP                                |
| 39         | 784168008    | TOP COVER BASE PLATE                |
| 35         | 000101404    | SCREW 4X6                           |
| 40         | 777013005    | PRESSURE ADJUSTING SCREW            |

# PARTS LIST

(134D ONLY)





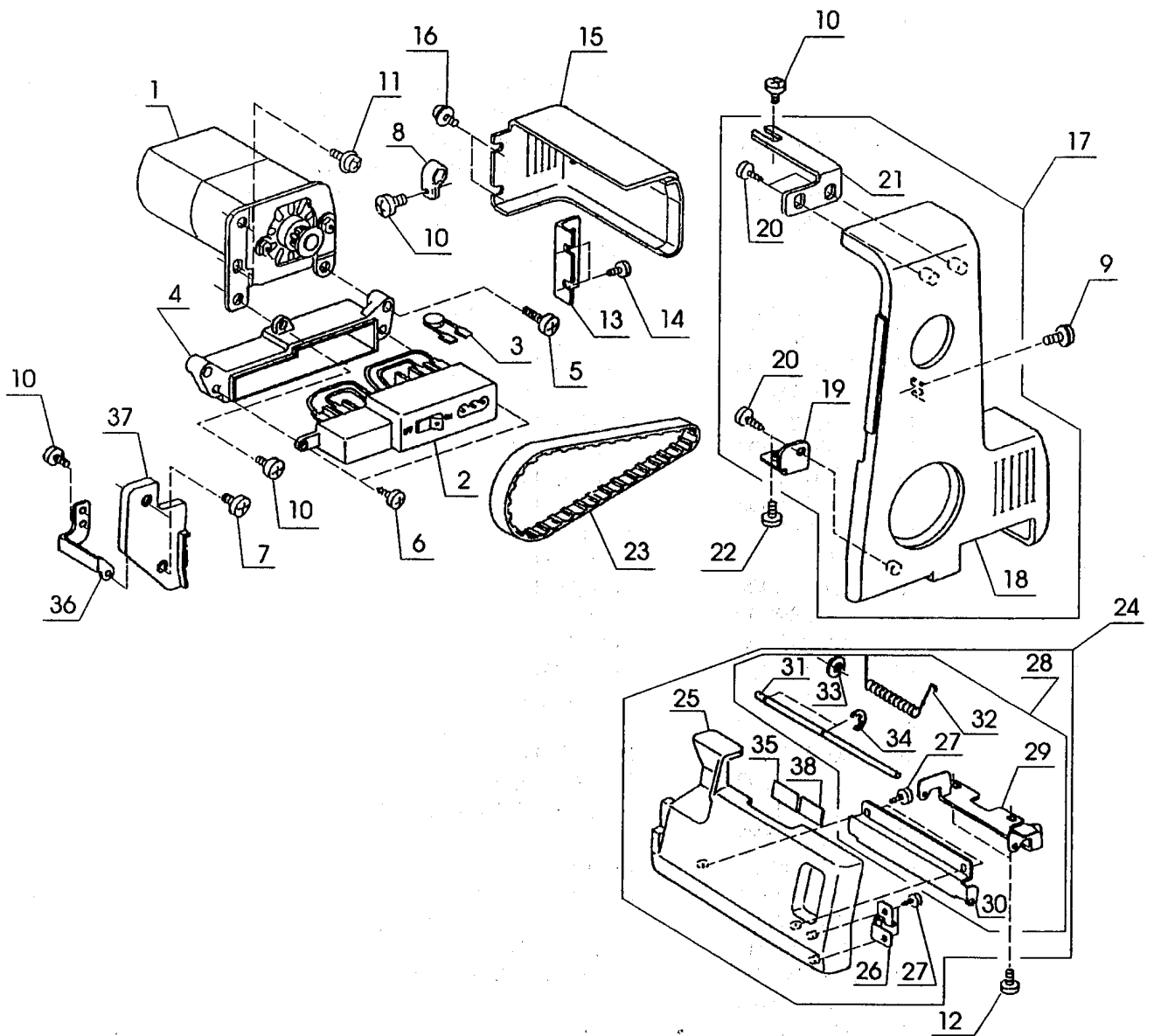
# PARTS LIST

(134D ONLY)

| KEY<br>NO. | PARTS<br>NO. | DESCRIPTION  |
|------------|--------------|--|
| 1          |              | MOTOR UNIT (FOR CARBON PILE CONTROLLER)<br>MOTOR UNIT (FOR NO HEAT CONTROLLER) |
| 2          | 787508106    | MACHINE SOCKET UNIT (UL)   |
|            | 784511206    | MACHINE SOCKET UNIT (CSA)  |
|            | 784508107    | MACHINE SOCKET UNIT (220~240V)   |
| 3          | 784509005    | CONDENSER UNIT   |
| 4          | 784128028    | MACHINE SOCKET COVER   |
| 5          | 000104108    | SCREW 4X20   |
| 6          | 000121905    | SCREW 4X12 (B)   |
| 7          | 000078320    | SCREW 3X6  |
| 8          | 000188405    | NYLON CORD GUARD   |
| 9          | 000115607    | SCREW 4X8  |
| 10         | 000081005    | SCREW 4X8  |
| 11         | 000115504    | SCREW 5X10   |
| 12         | 000101404    | SCREW 4X6  |
| 13         | 784125003    | SET PLATE  |
| 14         | 000081119    | SCREW 4X6  |
| 15         | 785255006    | MOTOR COVER  |
| 16         | 000115009    | SCREW 3X8  |
| 17         | 785689209    | BELT COVER UNIT  |
| 18         | 785297103    | BELT COVER   |
| 19         | 784130001    | SET PLATE  |
| 20         | 000120214    | SCREW 3X8 (B)  |
| 21         | 785258009    | SET PLATE  |
| 22         | 000103509    | SCREW 4X10   |
| 23         | 784124002    | MOTOR BELT   |
| 24         | 777604XXX    | LOOPER COVER UNIT  |
| 25         | 777012XXX    | LOOPER COVER   |
| 26         | 784118003    | STOPPER  |
| 27         | 000149301    | SCREW 3X8 (B)  |
| 28         | 784619---    | LOOPER COVER HINGE UNIT  |
| 29         | 784119004    | LOOPER COVER SUPPORTER   |
| 30         | 784120019    | LOOPER COVER HINGE   |
| 31         | 784121010    | PIN  |
| 32         | 784122000    | SPRING   |
| 33         | 000071013    | WASHER   |
| 34         | 000002105    | SNAP RING  |
| 35         | 784250008    | NEEDLE INDICATING STICKER  |
| 36         | 784152009    | SET PLATE  |
| 37         | 785252003    | LOOPER COVER GUIDE   |
| 38         | 100045000    | STICKER (CSA)  |
|            | 830312016    | STICKER (UL)   |

# PARTS LIST

(134 ONLY)

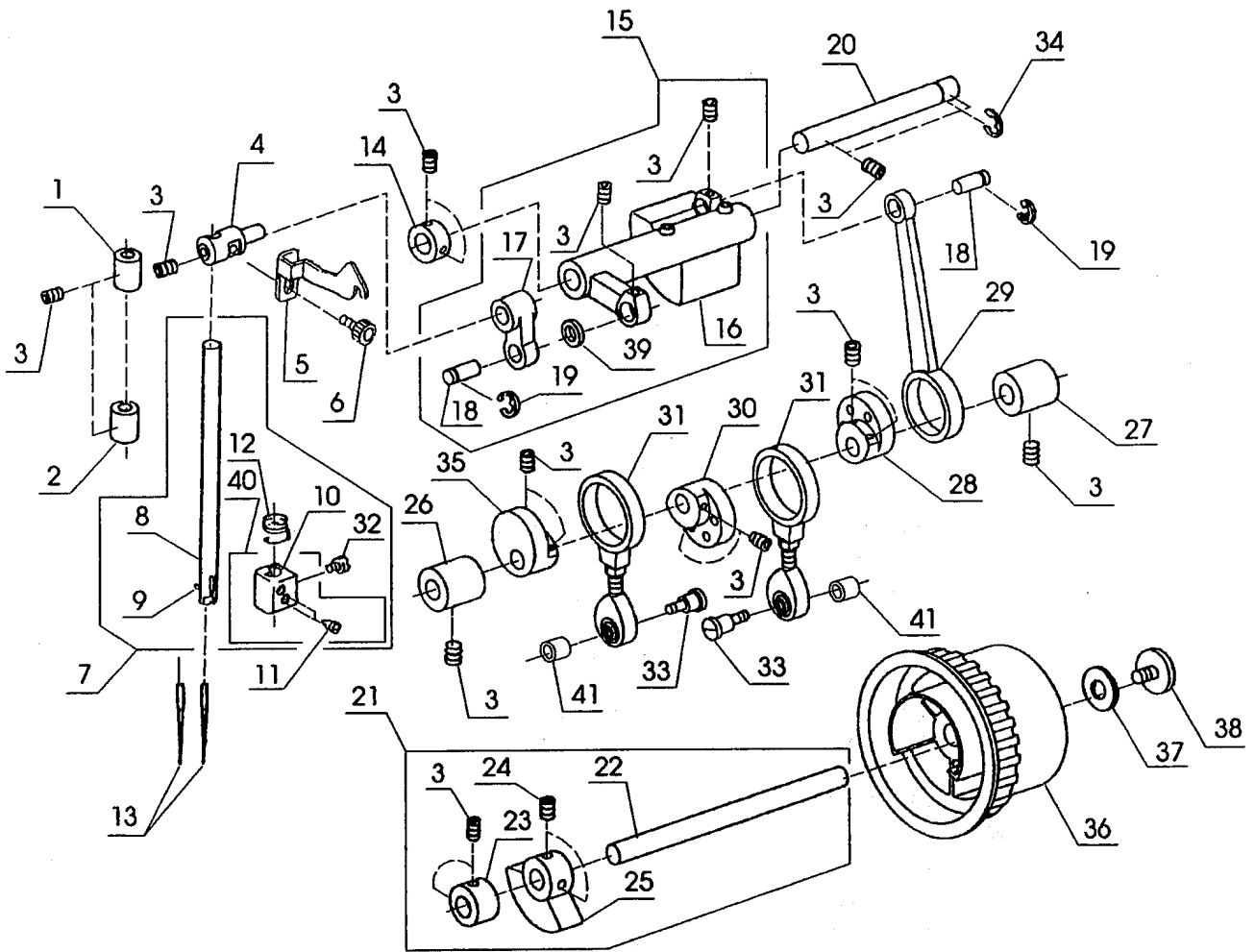


# PARTS LIST

(134 ONLY)

| KEY NO. | PARTS NO.   | DESCRIPTION  |
|---------|-------------|--|
| 1       |             | MOTOR UNIT (FOR CARBON PILE CONTROLLER)<br>MOTOR UNIT (FOR NO HEAT CONTROLLER) |
| 2       | 787508106   | MACHINE SOCKET UNIT (UL)   |
|         | 784511206   | MACHINE SOCKET UNIT (CSA)  |
|         | 784508107   | MACHINE SOCKET UNIT (220~240V)   |
| 3       | 784509005   | CONDENSER UNIT   |
| 4       | 784128028   | MACHINE SOCKET COVER   |
| 5       | 000104108   | SCREW 4X20   |
| 6       | 000121905   | SCREW 4X12 (B)   |
| 7       | 000078320   | SCREW 3X6  |
| 8       | 000188405   | NYLON CORD GUARD   |
| 9       | 000115607   | SCREW 4X8  |
| 10      | 000081005   | SCREW 4X8  |
| 11      | 000115504   | SCREW 5X10   |
| 12      | 000101404   | SCREW 4X6  |
| 13      | 784125003   | SET PLATE  |
| 14      | 000081119   | SCREW 4X6  |
| 15      | 785255006   | MOTOR COVER  |
| 16      | 000115009   | SCREW 3X8  |
| 17      | 785689003   | BELT COVER UNIT  |
| 18      | 785289102   | BELT COVER   |
| 19      | 784130001   | SET PLATE  |
| 20      | 000120214   | SCREW 3X8 (B)  |
| 21      | 785258009   | SET PLATE  |
| 22      | 000103509   | SCREW 4X10   |
| 23      | 784124002   | MOTOR BELT   |
| 24      | 777604XXX   | LOOPER COVER UNIT  |
| 25      | 777012XXX   | LOOPER COVER   |
| 26      | 784118003   | STOPPER  |
| 27      | 000149301   | SCREW 3X8 (B)  |
| 28      | 784619- - - | LOOPER COVER HINGE UNIT  |
| 29      | 784119004   | LOOPER COVER SUPPORTER   |
| 30      | 784120019   | LOOPER COVER HINGE   |
| 31      | 784121010   | PIN  |
| 32      | 784122000   | SPRING   |
| 33      | 000071013   | WASHER   |
| 34      | 000002105   | SNAP RING  |
| 35      | 784250008   | NEEDLE INDICATING STICKER  |
| 36      | 784152009   | SET PLATE  |
| 37      | 785252003   | LOOPER COVER GUIDE   |
| 38      | 100045000   | STICKER (CSA)  |
|         | 830312016   | STICKER (UL)   |

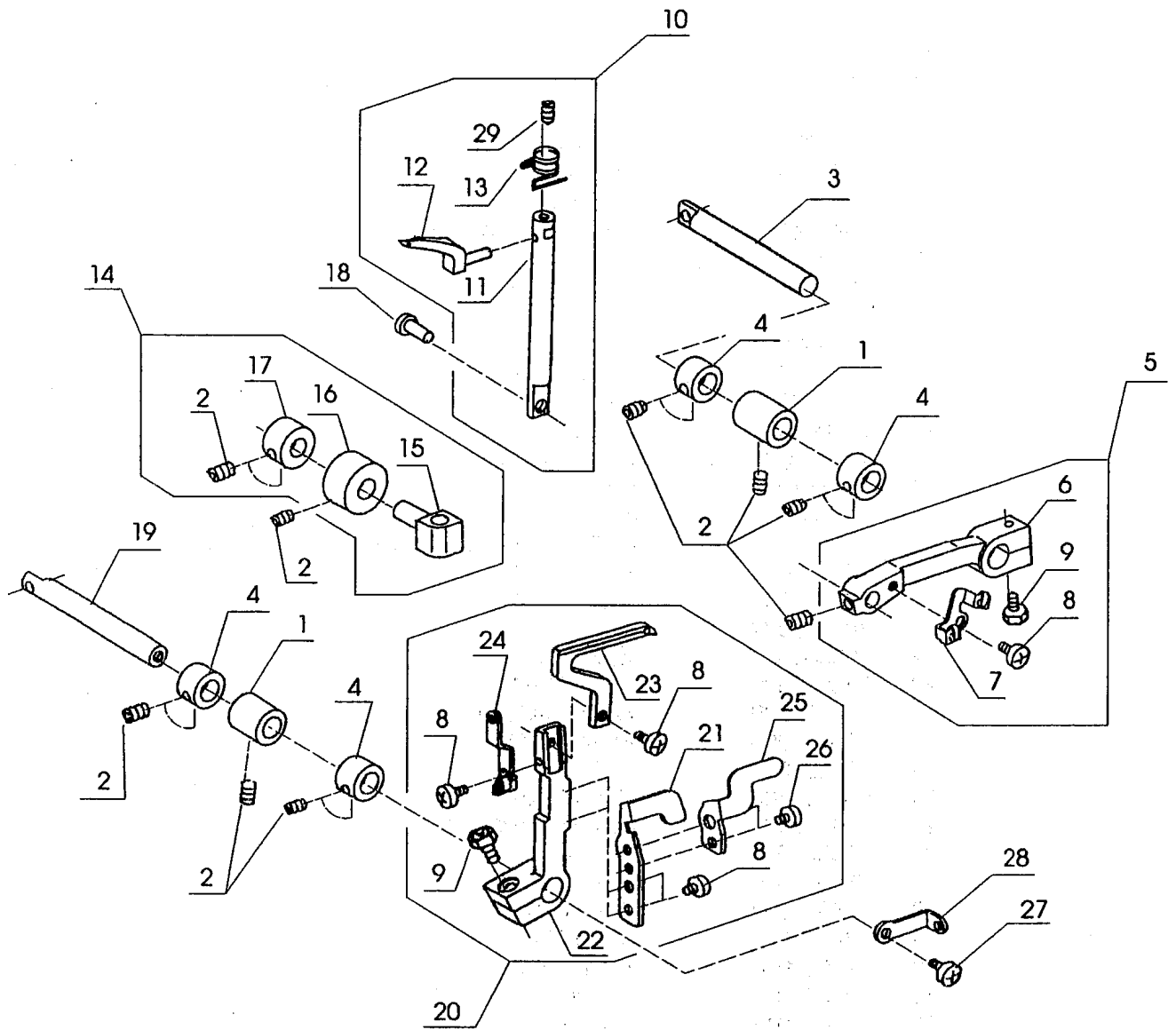
# PARTS LIST



# PARTS LIST

| KEY NO. | PARTS NO. | DESCRIPTION           |
|---------|-----------|-----------------------|
| 1       | 784027004 | BUSHING               |
| 2       | 784028005 | BUSHING               |
| 3       | 000111201 | SCREW 4X4             |
| 4       | 784024001 | CONNECTING STUD       |
| 5       | 785202008 | TAKE UP LEVER         |
| 6       | 000084503 | BOLT 3X6              |
| 7       | 785603025 | NEEDLE BAR UNIT       |
| 8       | 785003029 | NEEDLE BAR            |
| 9       | 000022307 | SPRING PIN            |
| 10      | 785004020 | NEEDLE CLAMP          |
| 11      | 785008024 | SCREW                 |
| 12      | 785009003 | THREAD GUIDE          |
| 13      | 784157015 | #14 NEEDLE HA-1 SP    |
| 14      | 787106007 | RING                  |
| 15      | 785684008 | NEEDLE BAR CRANK UNIT |
| 16      | 785287007 | NEEDLE BAR CRANK      |
| 17      | 784021008 | NEEDLE BAR LINK       |
| 18      | 784022009 | PIN                   |
| 19      | 000001609 | SNAP RING             |
| 20      | 784023000 | CRANK SHAFT           |
| 21      | 785630009 | MAIN SHAFT UNIT       |
| 22      | 785101006 | MAIN SHAFT            |
| 23      | 619006002 | RING                  |
| 24      | 000111304 | SCREW 5X5             |
| 25      | 784167007 | BALANCE WEIGHT        |
| 26      | 673062004 | BUSHING               |
| 27      | 784009000 | BUSHING               |
| 28      | 784010004 | DRIVE CAM             |
| 29      | 784011005 | CRANK ROD             |
| 30      | 784012006 | DRIVE CAM             |
| 31      | 784602009 | LOOPER DRIVE LINK     |
| 32      | 785026017 | SCREW                 |
| 33      | 787108009 | HINGE SCREW           |
| 34      | 000002806 | SNAP RING             |
| 35      | 784017001 | DRIVE CAM             |
| 36      | 784019003 | HAND WHEEL            |
| 37      | 556047007 | WASHER                |
| 38      | 618070004 | SCREW                 |
| 39      | 000036108 | WASHER FT70 PLATE     |
| 40      | 785557001 | NEEDLE CLAMP UNIT     |
| 41      | 787107008 | CRANK SPACER          |

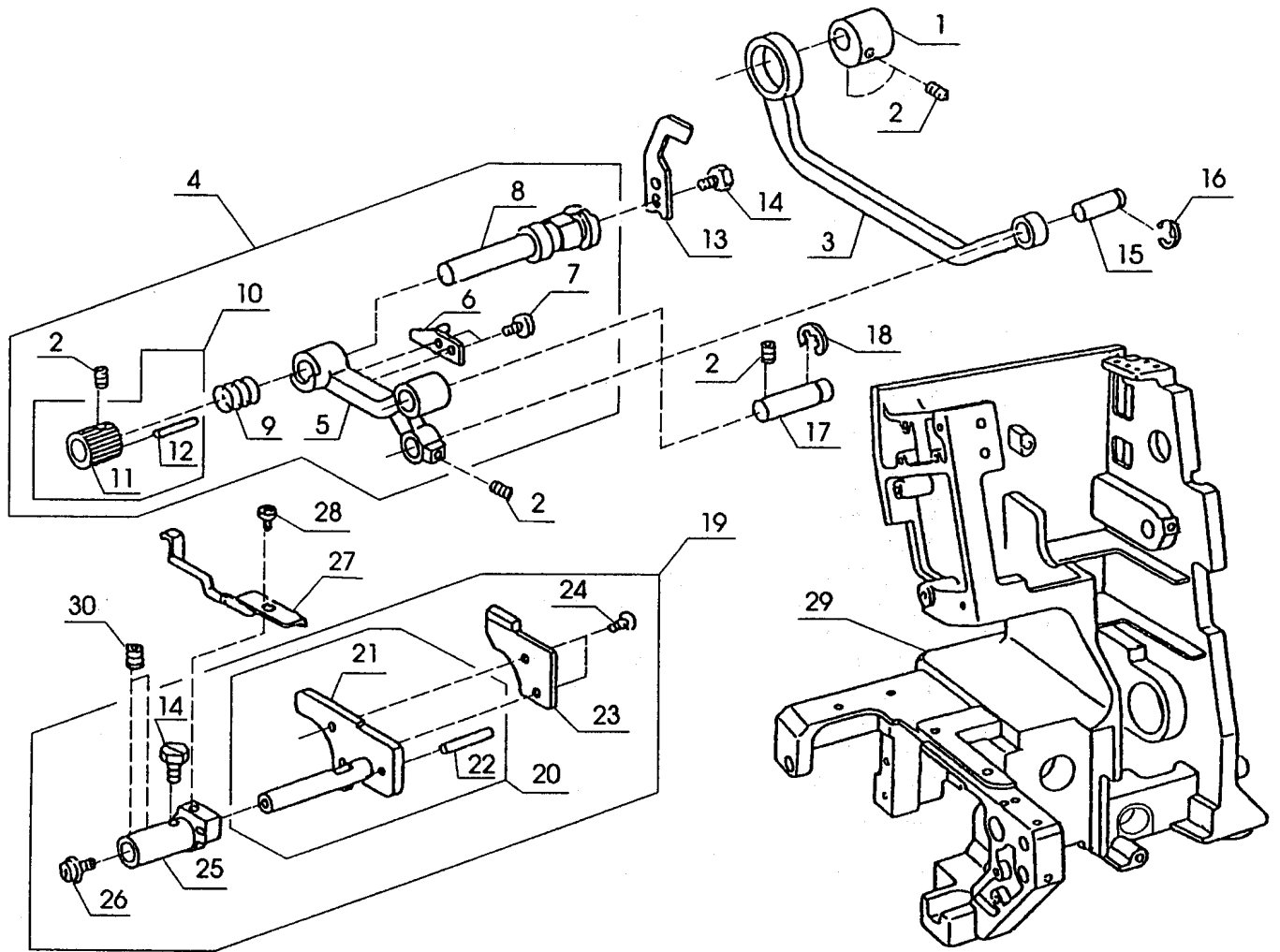
# PARTS LIST



# PARTS LIST

| KEY<br>NO. | PARTS<br>NO. | DESCRIPTION       |
|------------|--------------|-------------------|
| 1          | 787104005    | BUSHING           |
| 2          | 000111201    | SCREW 4X4         |
| 3          | 787105006    | CRANK SHAFT       |
| 4          | 787106007    | RING              |
| 5          | 785604200    | DRIVE SHAFT UNIT  |
| 6          | 784073005    | DRIVE ARM         |
| 7          | 785020206    | THREAD GUIDE      |
| 8          | 000078320    | SCREW 3X6         |
| 9          | 000138008    | BOLT 4X16         |
| 10         | 785605005    | DRIVE SHAFT UNIT  |
| 11         | 784075007    | DRIVE SHAFT       |
| 12         | 784076008    | UPPER LOOPER      |
| 13         | 784077009    | THREAD GUIDE      |
| 14         | 787619008    | SHAFT GUIDE UNIT  |
| 15         | 787112006    | SHAFT GUIDE       |
| 16         | 787113007    | BUSHING           |
| 17         | 787106007    | RING              |
| 18         | 784080005    | HINGE PIN         |
| 19         | 787116000    | CRANK SHAFT       |
| 20         | 785610508    | LOWER LOOPER UNIT |
| 21         | 787383000    | NEEDLE GUARD      |
| 22         | 785024004    | DRIVE ARM         |
| 23         | 784083008    | LOWER LOOPER      |
| 24         | 784085206    | THREAD GUIDE      |
| 25         | 787384001    | NEEDLE GUARD      |
| 26         | 000101116    | SCREW 3X4         |
| 27         | 000099006    | HEXAGON BOLT 3X4  |
| 28         | 000103004    | SCREW 3.5X6       |
| 29         | 785010203    | THREAD GUIDE      |
| 30         | 000112501    | SCREW 4X4         |

## PARTS LIST



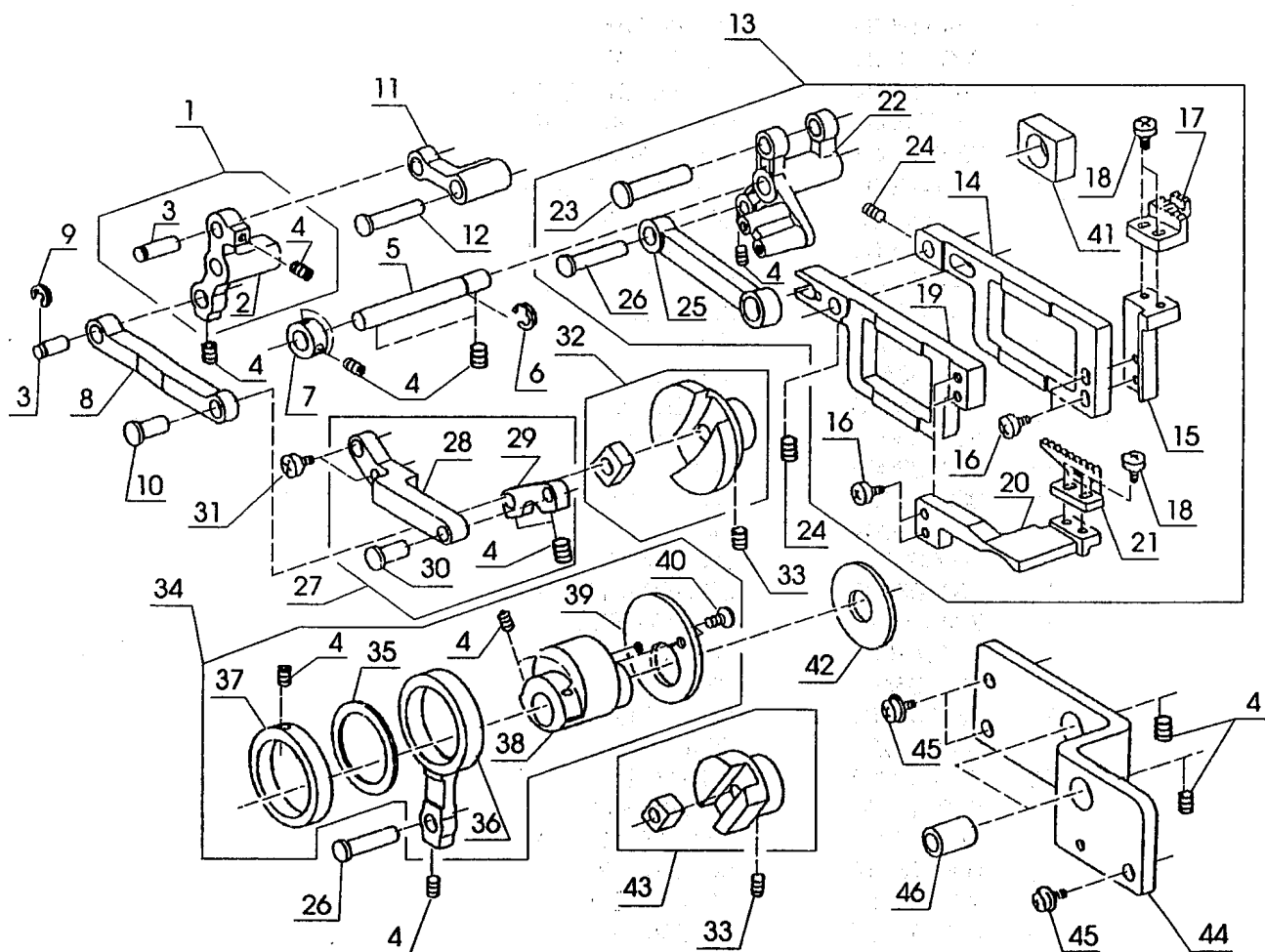


# PARTS LIST

| KEY<br>NO. | PARTS<br>NO. | DESCRIPTION           |
|------------|--------------|-----------------------|
| 1          | 784038008    | DRIVE CAM             |
| 2          | 000111201    | SCREW 4X4             |
| 3          | 784039009    | CONNECTING ROD        |
| 4          | 784606003    | DRIVE ARM UNIT        |
| 5          | 784040003    | DRIVE ARM             |
| 6          | 784041004    | UPPER KNIFE GUIDE     |
| 7          | 810220003    | SCREW 4X6.5           |
| 8          | 784042005    | UPPER KNIFE SUPPORTER |
| 9          | 784043006    | SPRING                |
| 10         | 784607- - -  | KNOB UNIT             |
| 11         | 784044007    | KNOB                  |
| 12         | 000003601    | SPRING PIN            |
| 13         | 784045020    | UPPER KNIFE           |
| 14         | 624303008    | BOLT 4X6              |
| 15         | 784022009    | PIN                   |
| 16         | 000001609    | SNAP RING             |
| 17         | 784046009    | PIN                   |
| 18         | 000002909    | SNAP RING             |
| 19         | 784608005    | LOWER KNIFE UNIT      |
| 20         | 784609- - -  | SUPPORTER UNIT        |
| 21         | 784047000    | SUPPORTER             |
| 22         | 000123402    | PIN                   |
| 23         | 784048001    | LOWER KNIFE           |
| 24         | 000102221    | SCREW 4X6             |
| 25         | 784049002    | BUSHING               |
| 26         | 000115401    | SCREW 3X4             |
| 27         | 785027007    | NEEDLE GUARD          |
| 28         | 000078319    | SCREW 3X6             |
| 29         | 777910001    | MACHINE BODY          |
| 30         | 000111108    | SCREW 4X6             |

# PARTS LIST

(134D ONLY)



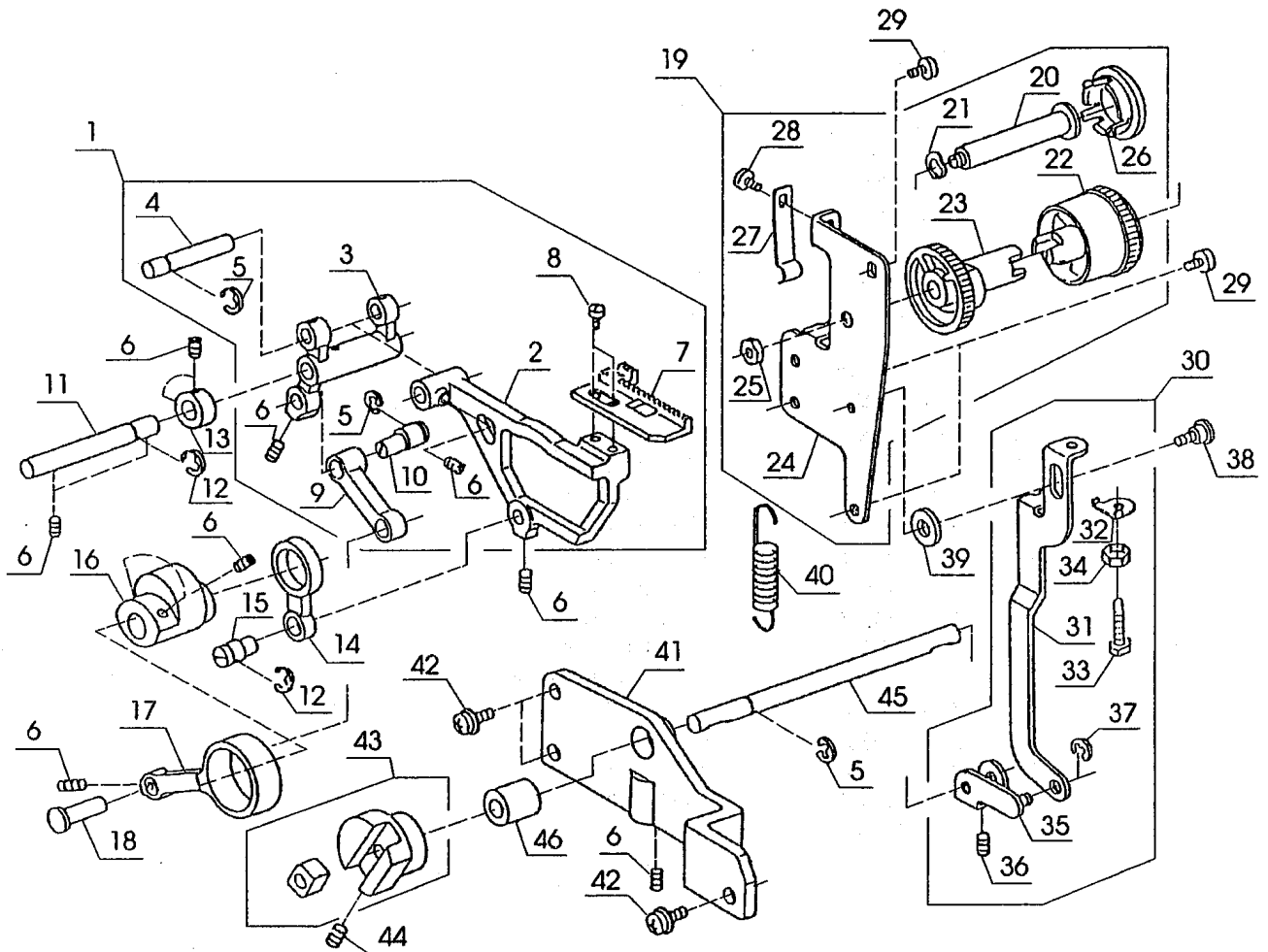
# PARTS LIST

(134D ONLY)

| KEY<br>NO. | PARTS<br>NO. | DESCRIPTION         |
|------------|--------------|---------------------|
| 1          | 785633002    | ROCKING ARM UNIT    |
| 2          | 785119007    | ROCKING ARM         |
| 3          | 625130005    | PIN                 |
| 4          | 000111201    | SCREW 4X4           |
| 5          | 784069019    | PIN                 |
| 6          | 000002806    | SNAP RING           |
| 7          | 787106007    | RING                |
| 8          | 785126007    | LINK                |
| 9          | 000002507    | SNAP RING           |
| 10         | 785127008    | PIN                 |
| 11         | 785117005    | LINK                |
| 12         | 625129001    | PIN                 |
| 13         | 785632001    | FEED BAR UNIT       |
| 14         | 785106001    | MAIN FEED BAR       |
| 15         | 785107002    | FEED DOG BASE       |
| 16         | 000080406    | SCREW 3X10          |
| 17         | 785108106    | MAIN FEED DOG       |
| 18         | 000066705    | SCREW 3X8           |
| 19         | 785109004    | SUB FEED BAR        |
| 20         | 785110008    | FEED DOG BASE       |
| 21         | 785111102    | SUB FEED DOG        |
| 22         | 785112000    | FEED ARM            |
| 23         | 785113001    | PIN                 |
| 24         | 000111902    | SCREW 3X4           |
| 25         | 785114002    | FEED LINK           |
| 26         | 785151001    | PIN                 |
| 27         | 785635004    | SUB FEED ARM UNIT   |
| 28         | 785115003    | SUB FEED ARM        |
| 29         | 785154004    | LINK                |
| 30         | 820144003    | PIN                 |
| 31         | 000101703    | SCREW 4X12          |
| 32         | 785522007    | REGULATOR UNIT      |
| 33         | 000111304    | SCREW 5X5           |
| 34         | 785631000    | FEED CAM UNIT       |
| 35         | 785121002    | WASHER              |
| 36         | 785120001    | LINK                |
| 37         | 785122003    | RING                |
| 38         | 785102007    | FEED CAM            |
| 39         | 785103008    | WASHER              |
| 40         | 000097107    | SCREW 2.6X6         |
| 41         | 785104009    | SLIDING BLOCK       |
| 42         | 785105000    | WASHER              |
| 43         | 785521006    | FEED REGULATOR UNIT |
| 44         | 785118006    | FEED REGULATOR BASE |
| 45         | 000114802    | SCREW 4X12          |
| 46         | 625144002    | BUSHING             |

# PARTS LIST

(134 ONLY)



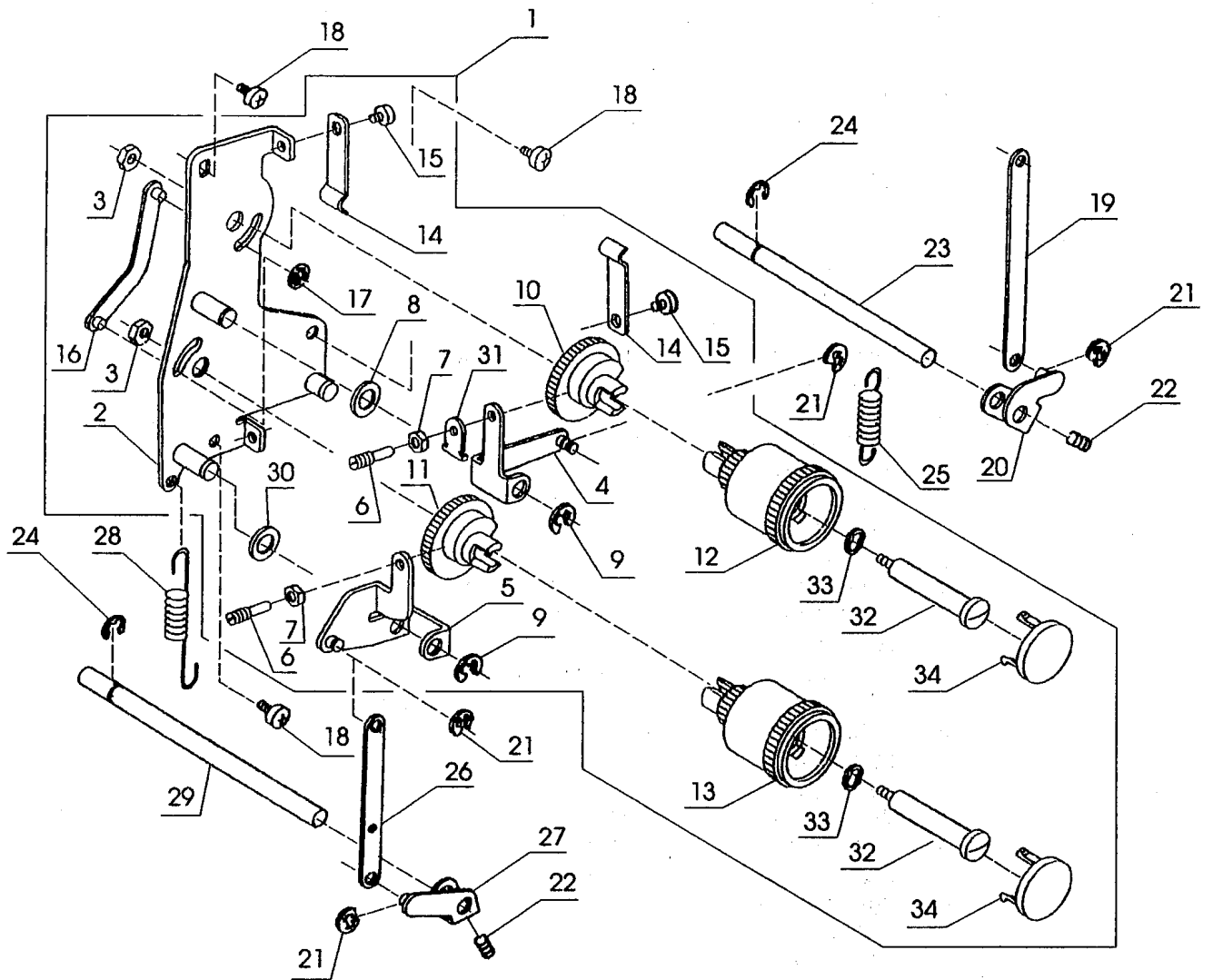
# PARTS LIST

(134 ONLY)

| KEY NO. | PARTS NO. | DESCRIPTION             |
|---------|-----------|-------------------------|
| 1       | 785672003 | FEED BAR UNIT           |
| 2       | 874062001 | FEED BAR                |
| 3       | 785212001 | LINK                    |
| 4       | 784064003 | PIN                     |
| 5       | 000001609 | SNAP RING               |
| 6       | 000111201 | SCREW 4X4               |
| 7       | 784065004 | FEED DOG                |
| 8       | 784066005 | SCREW 3X5.5             |
| 9       | 785215004 | LINK                    |
| 10      | 785216005 | PIN                     |
| 11      | 784069019 | LINK CONNECTING PIN     |
| 12      | 000002806 | SNAP RING               |
| 13      | 624245001 | RING                    |
| 14      | 784067006 | FEED LIFT LINK          |
| 15      | 784068007 | ECCENTRIC PIN           |
| 16      | 785213002 | FEED CAM                |
| 17      | 785214003 | FEED LINK               |
| 18      | 785151001 | FEED LINK PIN           |
| 19      | 785674005 | STITCH LENGTH DIAL UNIT |
| 20      | 785218007 | DIAL PIN                |
| 21      | 000116206 | WASHER                  |
| 22      | 785220002 | STITCH LENGTH DIAL      |
| 23      | 785219008 | FEED REGULATING CAM     |
| 24      | 785217006 | SET PLATE               |
| 25      | 000061102 | NUT                     |
| 26      | 785221003 | CAP                     |
| 27      | 785140007 | SPRING                  |
| 28      | 000081119 | SCREW 4X6               |
| 29      | 000081005 | SCREW 4X8               |
| 30      | 785675006 | FEED ROD UNIT           |
| 31      | 785223005 | FEED ROD                |
| 32      | 785276003 | SET PLATE               |
| 33      | 785224006 | ADJUSTING SCREW         |
| 34      | 000160102 | NUT                     |
| 35      | 785225007 | FEED ROCK ARM           |
| 36      | 000111500 | SCREW 4X8               |
| 37      | 000002105 | SNAP RING               |
| 38      | 785286006 | HINGE SCREW             |
| 39      | 785222004 | WASHER                  |
| 40      | 785146003 | SPRING                  |
| 41      | 785208004 | SET PLATE               |
| 42      | 000114802 | SCREW 4X12              |
| 43      | 785551005 | FEED REGULATOR UNIT     |
| 44      | 000111304 | SCREW 5X5               |
| 45      | 785211000 | FEED BAR PIN            |
| 46      | 625144002 | BUSHING                 |

# PARTS LIST

(134D ONLY)



# PARTS LIST

(134D ONLY)

| KEY NO. | PARTS NO. | DESCRIPTION         |
|---------|-----------|---------------------|
| 1       | 777601006 | FEED MECHANISM UNIT |
| 2       | 777005004 | FRAME               |
| 3       | 000061205 | NUT                 |
| 4       | 785134008 | FEED REGUJATING ARM |
| 5       | 785135009 | FEED REGULATING ARM |
| 6       | 652056000 | STOPPER             |
| 7       | 000160102 | NUT                 |
| 8       | 000036500 | WASHER              |
| 9       | 000001609 | SNAP RING           |
| 10      | 785378006 | CAM                 |
| 11      | 785379007 | CAM                 |
| 12      | 787261757 | FEED DIAL           |
| 13      | 787261805 | FEED DIAL           |
| 14      | 785140007 | SPRING              |
| 15      | 000081119 | SCREW 4X6           |
| 16      | 777006005 | STOPPER             |
| 17      | 000014306 | RING                |
| 18      | 000081005 | SCREW 4X8           |
| 19      | 785142009 | FEED ROD            |
| 20      | 785143000 | FEED ARM            |
| 21      | 000002105 | SNAP RING           |
| 22      | 000111500 | SCREW               |
| 23      | 785125006 | FEED SHAFT          |
| 24      | 000001609 | SNAP RING           |
| 25      | 785146003 | SPRING              |
| 26      | 785144001 | ROD                 |
| 27      | 785145002 | FEED ARM            |
| 28      | 785147004 | SPRING              |
| 29      | 785130004 | FEED SHAFT          |
| 30      | 000072601 | WASHER 6            |
| 31      | 785156006 | PLATE               |
| 32      | 785218007 | DIAL SHAFT          |
| 33      | 000116206 | WAVE WASHER         |
| 34      | 787262301 | DIAL COVER          |

