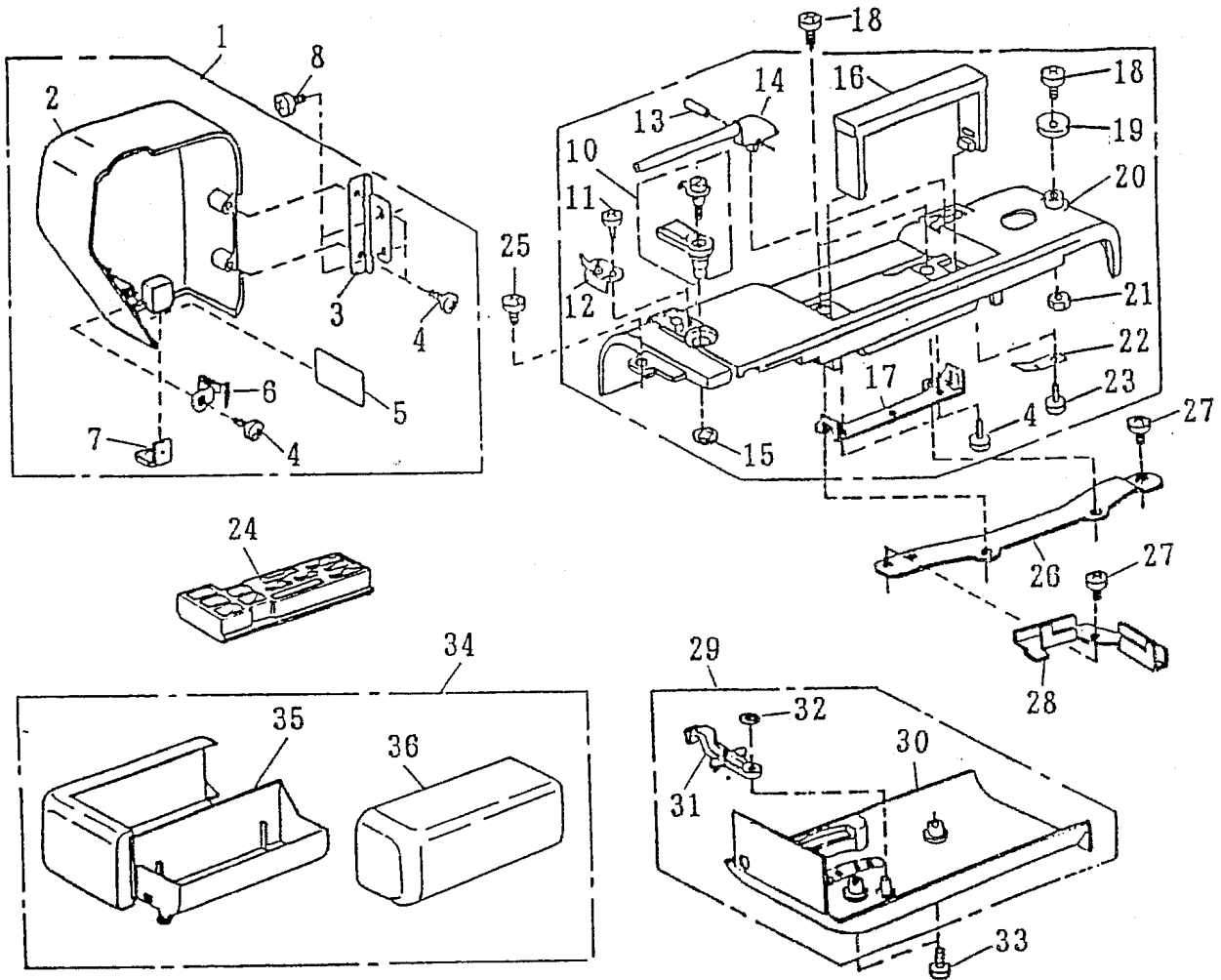


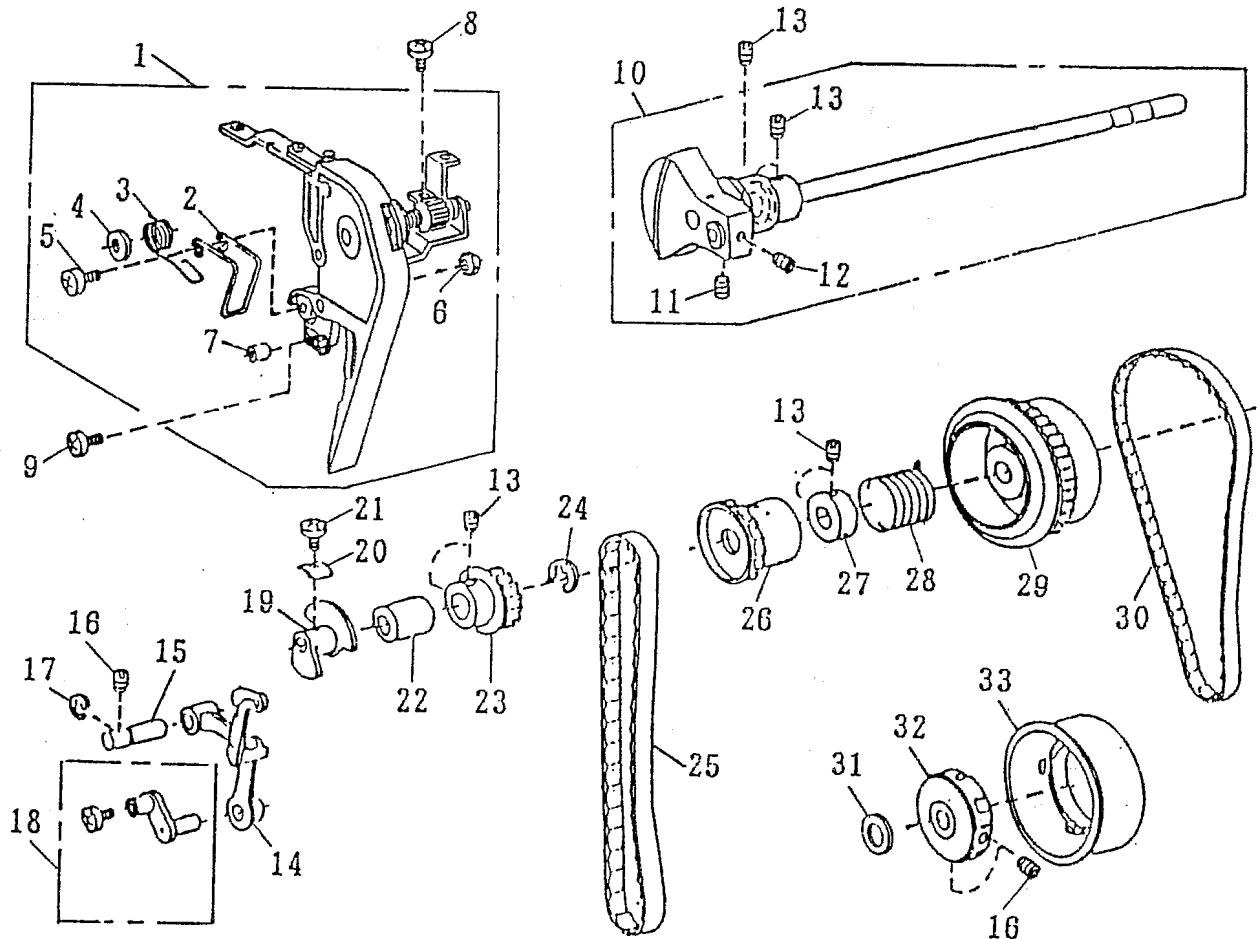
STEP	TEST	CORRECT CONDITION	DEFECT CONDITION & CORRECTION
9)a. Driving motor test	<ul style="list-style-type: none"> • Presse the "MODE" button. 	<ul style="list-style-type: none"> • The motor will run slow and fast. • The motor will stop running with the needle in its highest position. 	<p>(Not stopping in the highest position ,or running at uneven speed.)</p> <ul style="list-style-type: none"> • Replace the following parts and recheck in the sequence shown. <ul style="list-style-type: none"> ① Driving motor ② Board Unit (A) • For defects other than the above: Replace the following parts and recheck in the sequence shown. <ul style="list-style-type: none"> ① Driving motor ② Board Unit (C) ③ Transformer
9)b. To complete the procedure:	Press "EDIT" button.	When the EDIT button is pressed a beeping signal will sound and the LCD shows "DC Motor...OK" for a second, then shows "Self - Check END".	Press "MESSAGE" button to move to the next step.
10) Ending	<ul style="list-style-type: none"> • Press "EDIT" button. 	<ul style="list-style-type: none"> • LCD shows the result and a beeping signal will sound as the "EDIT" button is pressed. • To operate the machine normally turn the power switch off and on again. 	

- If the result is correct condition..... LCD shows "Check OK!!".
- If the result is incorrect condition..... LCD shows "Error - A" (exam).
"A" means Board unit (A)
- Each alphabet has meaning as following;
 - A..... Board unit (A)
 - B..... Buttonhole sensor unit
 - C..... Foot control
 - D..... Driving motor
 - K..... Board unit (K)
 - P..... Upper shaft positioning sensor unit
 - R..... Machine socket (Receptacle)
 - X..... Stepping motor (zigzag)
 - Y..... Stepping motor (feed)



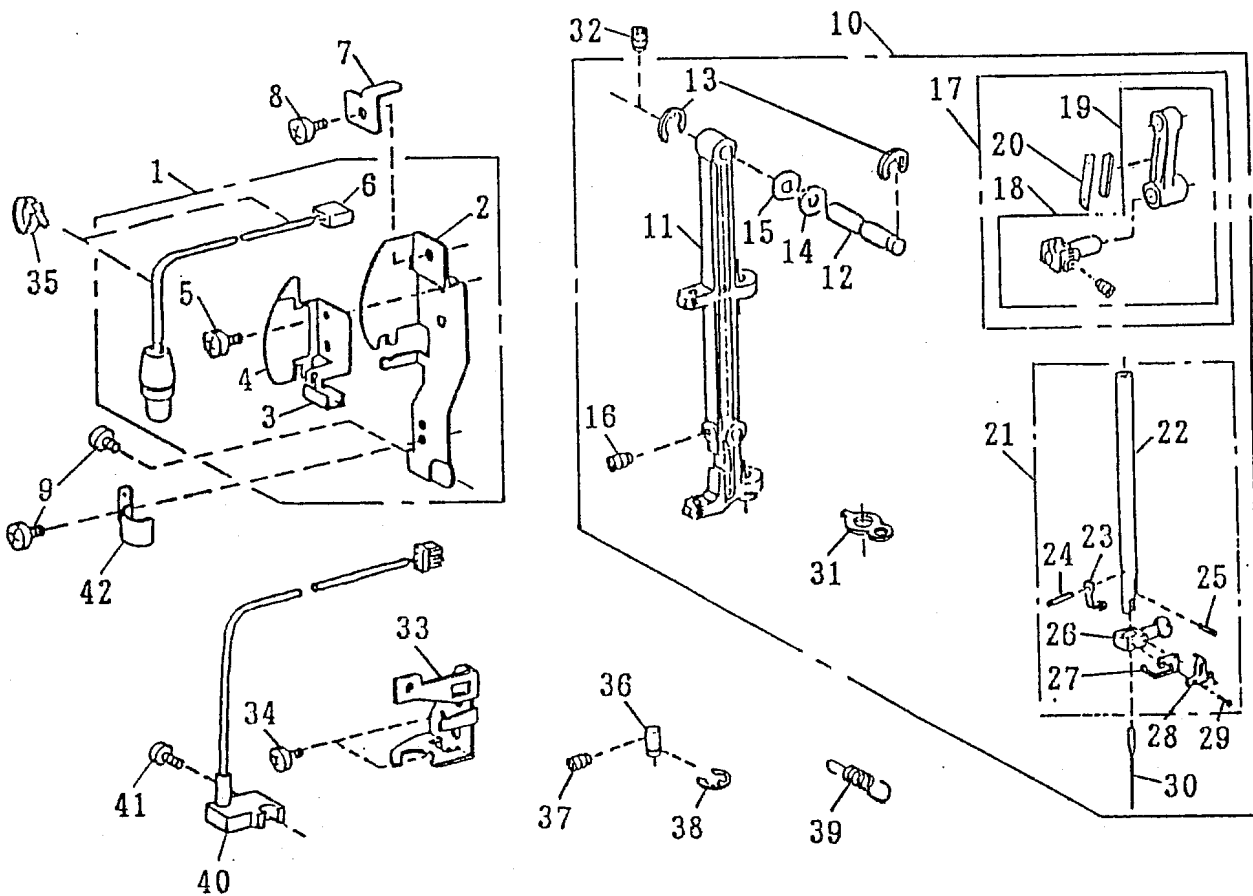
NO	Part NO	Part Name
1	828604206	Face plate unit
2	828009009	Face plate
3	366501102	Face plate hinge
4	000161206	Tapping screw 3x10B
5	827099003	Sticker
6	731067002	Face plate spring
7	840602006	Thread cutter
8	000081119	Set screw 4x6
9	828603009	Top cover unit
10	650503403	Thread guide unit
11	000162001	Tapping screw 2.6x5
12	827503005	T. cover thread guide unit
13	822017002	Spool pin shaft
14	724206106	Spool pin
15	000014409	Snap ring CS-8
16	827014004	Handle
17	827015005	Handle set plate
18	000103107	Set screw 4x14
19	735016307	Bobbin winder stopper
20	828008008	Top cover
21	000061205	Nut 4-3
22	724207004	Spool pin spring
23	000107318	Tapping screw 3x8B
24	828005005	Foot case
25	810220003	Set screw

NO	Part No	Part Name
26	827016006	Top cover set plate
27	000081005	Set screw 4x8
28	827077005	Cord guide
29	827602005	Bed cover unit
30	827004001	Bed cover
31	753005000	Drop lever
32	000013903	Snap ring CS-5
33	000101703	Set screw 4x12
34	828501006	Extension plate unit
35	828003003	Extension plate
36	828004004	Extension cover
37		
38		
39		
40		
41		
42		
43		
44		
45		
46		
47		
48		
49		
50		

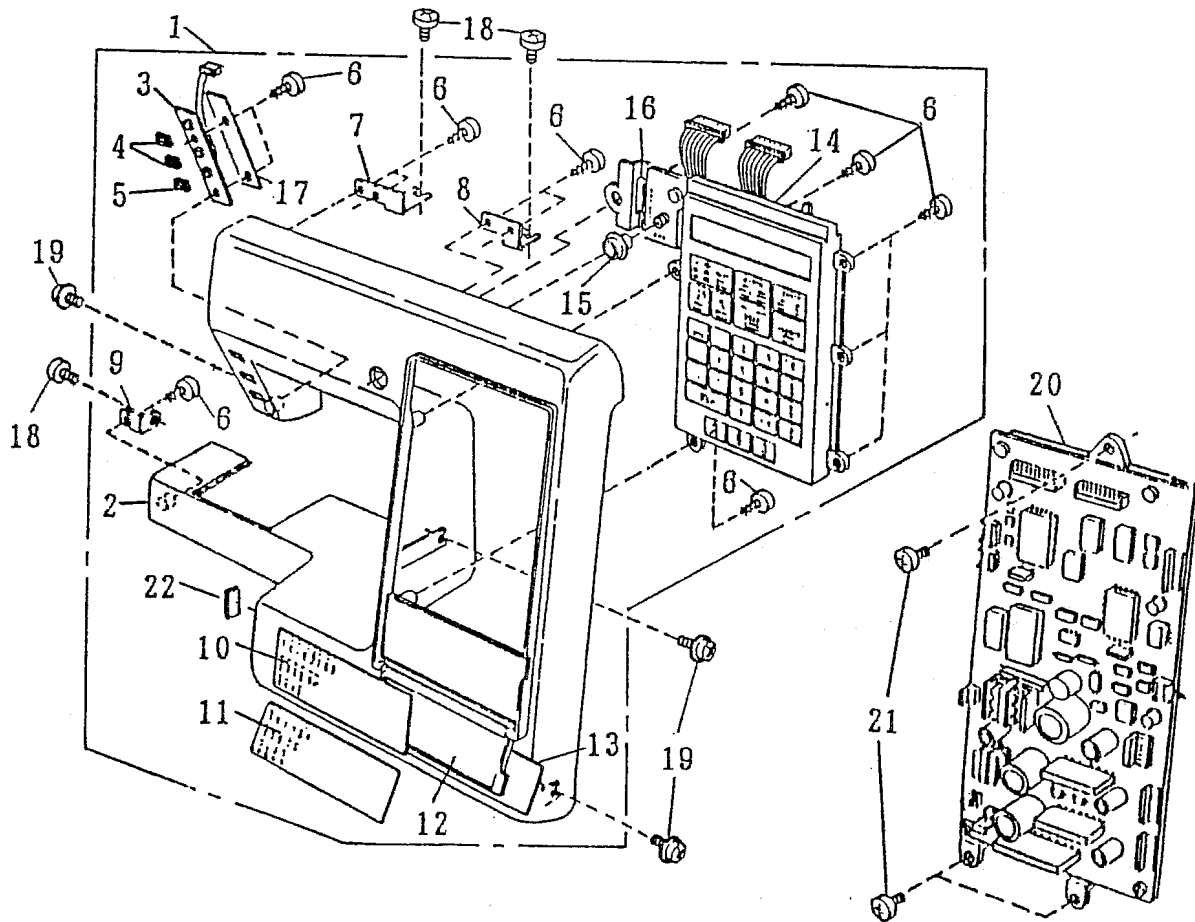


NO	Part NO	Part Name
1	828502007	Thread tension unit
2	652037005	Thread guide
3	652038006	Check spring
4	652039007	Washer
5	000104304	Set screw 3x14
6	000060857	Nut 3-1-5.5
7	650043008	Cushion
8	000101404	Set screw 4x6
9	000101703	Set screw 4x12
10	827518106	Upper shaft unit
11	102073003	Set screw
12	761052007	Set screw
13	000111304	H. socket screw 5x5
14	820511108	Thread take-up lever unit
15	650062003	Take-up lever shaft
16	000111201	H. socket screw 4x4
17	000001702	Snap ring E-6
18	652512009	Needle bar crank pin unit
19	830095009	Upper shaft shield plate
20	820102009	Plate washer
21	000081005	Set screw 4x8
22	673062004	Upper shaft rear bushing
23	732026002	U. shaft adjusting wheel
24	000030205	Snap ring E-8
25	650071005	Timing belt

NO	Part No	Part Name
26	653055002	Delutch release ring
27	653056003	Declutch ring
28	653057004	Clutch spring
29	653058005	Belt wheel
30	653139012	Timing belt
31	000036706	Washer
32	830286009	Balance wheel ring
33	653061104	Balance wheel
34		
35		
36		
37		
38		
39		
40		
41		
42		
43		
44		
45		
46		
47		
48		
49		
50		

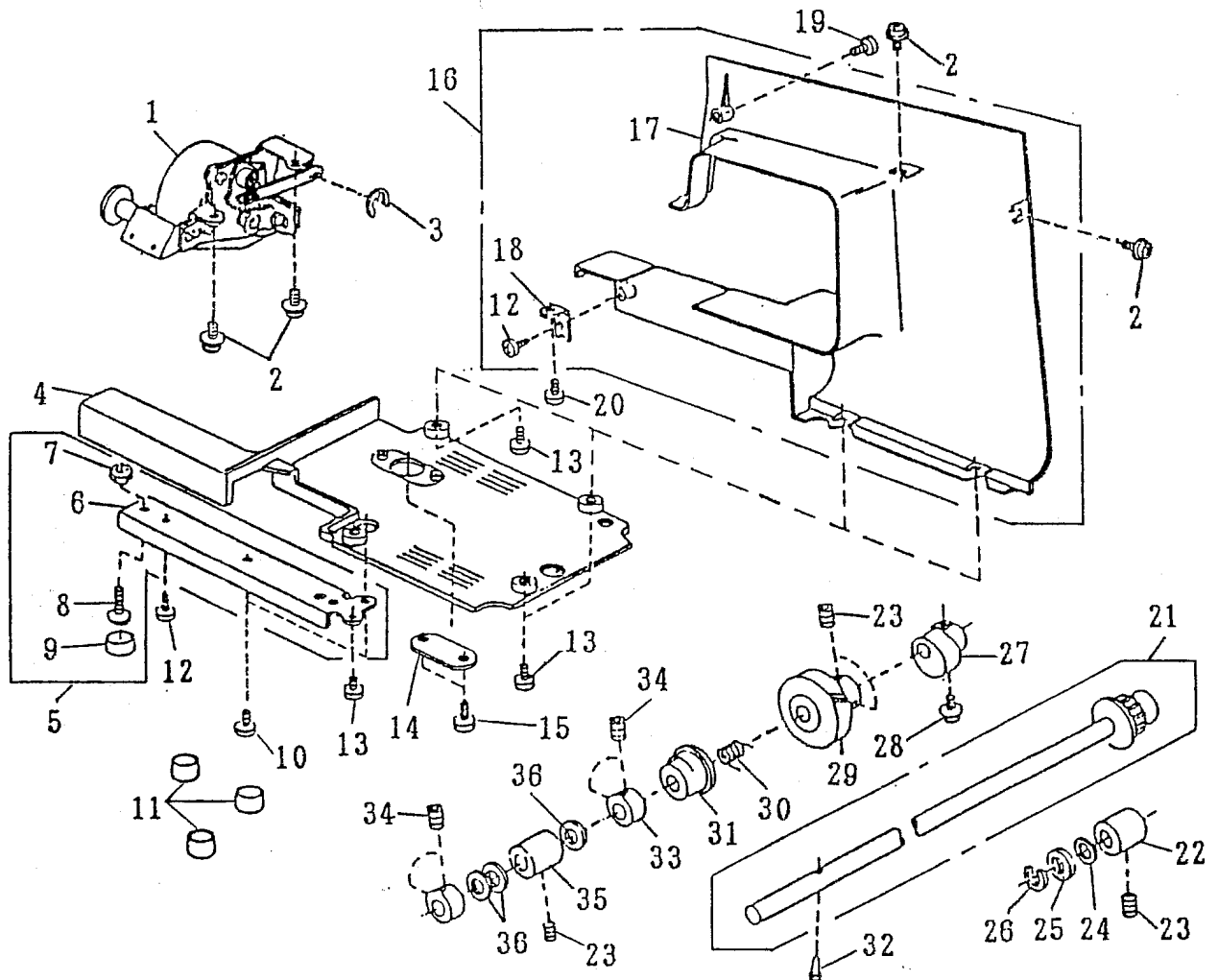


NO	Part NO	Part Name	NO	Part No	Part Name
1	828607003	Front plate unit	26	822506014	Needle clamp unit
2	828013006	Front plate	27	822329000	N. bar thread guide
3	827029013	Cord guide	28	822330004	Set plate
4	829016002	Sticker	29	000105501	Set screw 1.6x2.5
5	652203004	Set screw 3x3.5	30	102408089	Needle HA1-14
6	830538102	Lampsocket unit	31	803009002	Guide plate
7	827106004	P. bar bushing set plate	32	000110901	H. socket screw 5x4
8	810220003	Set screw	33	827018019	Lampsocket set plate
9	000103808	Set screw 3x5	34	000103705	Set screw 4x5
10	828606105	Needle bar supporter unit	35	000053008	Binder
11	827026009	Needle bar supporter	36	827083004	Guide plate pin
12	730022002	Needle bar supporter pin	37	000111201	H. socket screw 4x4
13	000002507	Snap ring E-4	38	000002105	Snap ring E-3
14	000070609	Washer	39	828010003	N. bar sup. spring
15	673022002	Spring washer	40	828509004	Photo sensor unit
16	000111902	H. socket screw 3x4	41	000104913	Set screw 3x16
17	653612003	Needle bar con. stud unit	42	826011008	Cord guide
18	653504001	Needle bar con. stud unit	43		
19	650040005	Felt	44		
20	650041006	Felt set plate	45		
21	653503103	Needle bar unit	46		
22	553085019	Needle bar	47		
23	822324005	Needle guide plate	48		
24	822323004	Stopper pin	49		
25	000020604	Spring pin	50		



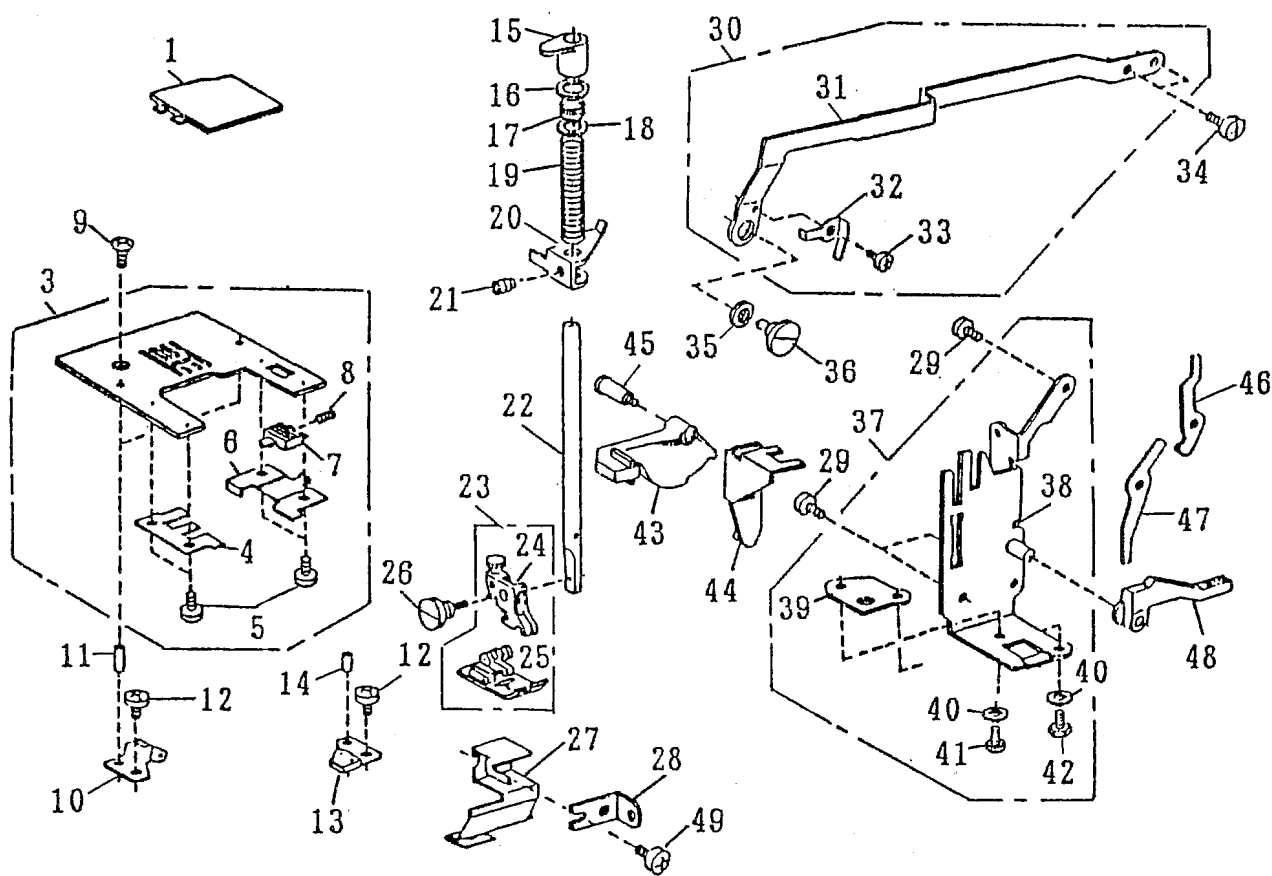
NO	Part NO	Part Name	NO	Part No	Part Name
1	828610102	Front cover unit	26		
2	828050005	Front cover	27		
3	828505000	Print board F unit	28		
4	828051008	Button	29		
5	828051017	Button	30		
6	000120203	Tapping screw 3x8B	31		
7	828058003	F. cover front set plate	32		
8	827068003	F. cover rear set plate	33		
9	827069004	F. cover lower set plate	34		
10	828053008	Quick chart 1	35		
11	828054009	Quick chart 2	36		
12	828052007	Panel cover	37		
13	828066107	Decoration plate	38		
14	828611000	Print board K unit	39		
15	827063008	Adjusting knob	40		
16	828063001	Print board set plate	41		
17	828061009	Isolation paper	42		
18	000101404	Set screw 4x6	43		
19	000115205	TP screw 4x6	44		
20	829606108	Print board A unit	45		
21	000081005	Set screw 4x8	46		
22	827093007	SS adjusting sticker	47		
23			48		
24			49		
25			50		

Part list for Model 655R

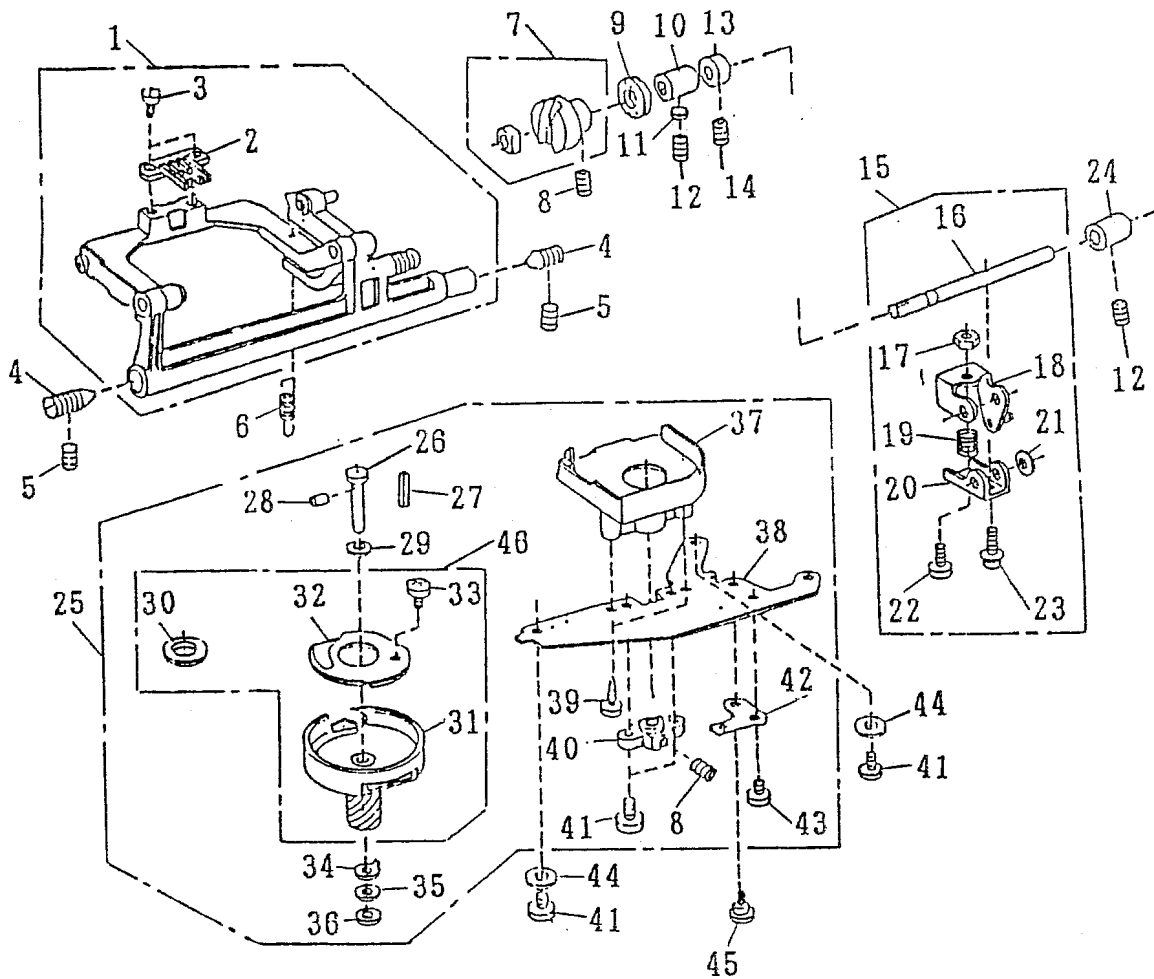


NO	Part NO	Part Name
1	829609101	Stepping motor(feed) unit
2	000115205	TP screw 4x6
3	000002105	Snap ring E-3
4	827003000	Base
5	827601004	Arm feet unit
6	827002102	Arm feet
7	000061412	Nut 5-3
8	000097901	Plain screw 5x18
9	735002001	Rubber cushion
10	000066808	Set screw 6x14
11	647009002	Bed rubber cushion
12	000120203	Tapping screw 3x8
13	000103509	Set screw 4x10
14	824058001	Base lid
15	000107318	Tapping screw 3x8B
16	828612001	Rear cover unit
17	828002002	Rear cover
18	827006003	Rear cover set plate
19	000104119	Set screw 4x20
20	000081119	Set screw 4x6
21	827613009	Lower shaft unit
22	650079003	Lower shaft rear bushing
23	000111304	H. socket screw 5x5
24	000036201	Washer
25	822070003	Felt 1

NO	Part No	Part Name
26	822112008	Felt set plate 1
27	823026111	Feed cam
28	000149600	Tapping screw C-3x14
29	650076000	Toothed wheel
30	686035008	Spring
31	753183014	Feed lifting cam
32	820161006	Pin
33	820166001	Ring
34	000111201	H. socket screw 4x4
35	650078002	L. shaft f. bushing
36	830336005	Washer
37		
38		
39		
40		
41		
42		
43		
44		
45		
46		
47		
48		
49		
50		

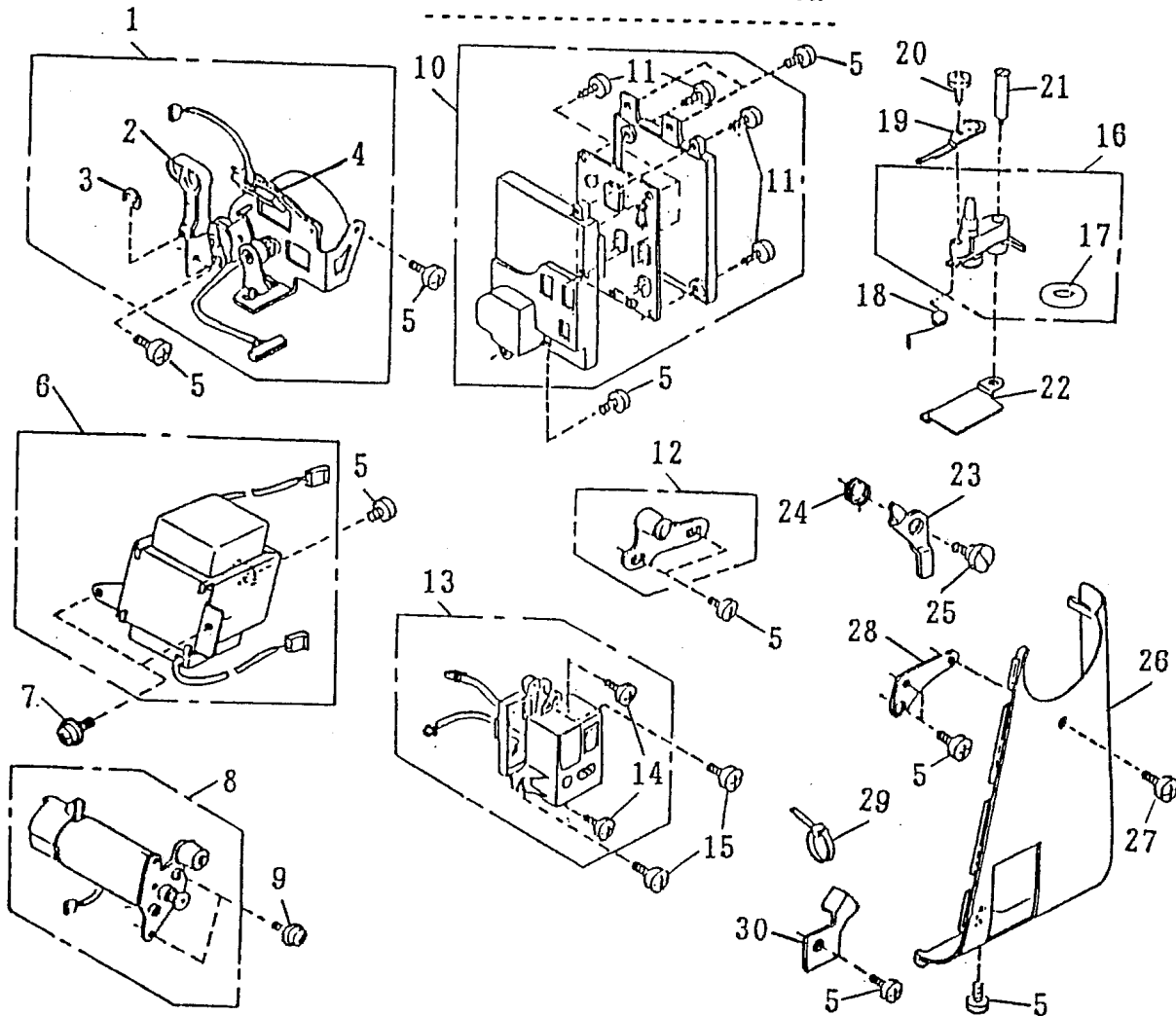


NO	Part NO	Part Name	NO	Part No	Part Name
	1	750036001 Slide plate	26	753199002	Thumb screw
3	827605008	Needle plate unit	27	827036002	Arm thread guide
4	825014008	Slide plate set plate	28	827037003	F. cover set plate
5	820374004	Set screw 2x2.3	29	000081005	Set screw 4x8
6	825015010	Slide plate set plate (R)	30	827622012	ZZ rod unit
7	825016000	Set plate block	31	827055018	ZZ rod
8	825017001	Set plate spring	32	827088009	ZZ rod spring
9	681009101	Plain screw	33	820373003	Set screw 2x3
10	827011001	R. lotation stopper	34	000078319	Set screw 3x6
11	000122504	Guide pin D-3x10ch	35	653037008	Washer
12	810220003	Set screw	36	678084007	Eccentric pin
13	627567001	Lotation stopper	37	828605001	P. bar mec. unit
14	000122700	Guide pin D-2.5x6LC	38	827020014	P. bar mecanism
15	652104004	Presser bar bushing	39	827082003	P. bar set plate
16	652201002	Set plate	40	000070908	Washer
17	826056005	Presser bar sub spring	41	810220003	Set screw
18	826055004	Washer	42	000066303	Nut 4x6
19	826006000	Presser spring	43	829013009	P. adjusting lever
20	735028014	Presser bar bracket	44	829014000	P. adjusting plate
21	000111500	H. socket screw 4x8	45	820090003	Hinge screw
22	826065007	Presser bar	46	827023006	Release lever 2
23	825509038	Presser foot com. unit	47	827022005	Release lever 1
24	804509000	Foot holder unit	48	735029004	Foot lifter
25	825510032	Presser foot unit	49	000069605	Set screw 4x8
			50		



NO	Part NO	Part Name	NO	Part No	Part Name
1	827615001	Feed bar com. unit	26	820123006	Hook shaft
2	827041000	Feed dog	27	820124007	Strings 1
3	614025002	Set screw	28	820125008	Strings 2
4	532030003	Center pin	29	830321100	Spring washer
5	000113605	Set screw 5x8	30	627190009	Magnet
6	650085002	Feed bar spring	31	650952009	Rotary hook
7	625508008	Feed adjuster unit	32	627191000	Base plate
8	000111304	H. socket screw 5x5	33	820374004	Set screw 2x3
9	823110009	Felt	34	627192001	Washer
10	625144002	Front bushing	35	000036500	Washer
11	650175000	set plate	36	625102008	Washer
12	000111201	H. socket screw 4x4	37	827040009	Cover
13	820387000	Ring	38	823106002	Set plate
14	000111108	H. socket screw 4x6	39	000107204	Set screw 3x12B
15	827616013	S. length shaft unit	40	650094004	Hook shaft base
16	827042012	S. length shaft	41	000081005	Set screw 4x8
17	000160102	Adjustable nut 4	42	650171006	Setting plate
18	825261002	S. length arm 2	43	000101404	Set screw 4x6
19	589040002	BH adjuster spring	44	000070506	Washer
20	827043002	S. length arm 1	45	650172007	Hinge screw
21	810207004	Spring washer	46	650623008	Rotary hook unit
22	827086007	S. length arm adj. screw	47		
23	000115906	TP screw 3x12	48		
24	650092002	Rear bushing	49		
25	827614000	Rotary hook com. unit	50		

Part list for Model 655R



NO	Part NO	Part Name	NO	Part No	Part Name
1	827620102	Stepping motor(ZZ) unit	26	828064002	Belt cover
2	827054006	Connecting body	27	000104119	Set screw 4x20
3	000002105	Snap ring E-3	28	827085006	Belt cover set plate
4	830543100	Position sensor unit	29	000053008	Binder
5	000081005	Set screw 4x8	30	827081002	Cord guide
6	829508008	Power transformer unit	31		
7	000115205	TP screw 4x6	32		
8	827628007	Motor unit	33		
9	000115700	TP screw 4x10	34		
10	827626201	Print board C unit	35		
11	000161206	Tapping screw 3x10B	36		
12	652611009	Idler unit	37		
13	830576009	Plug con. receptacle unit	38		
14	000121204	Tapping screw 4x8B	39		
15	000103509	Set screw 4x10	40		
16	827506008	Bobbin winder unit	41		
17	647018004	Rubber ring	42		
18	823119008	Spring	43		
19	828062000	Switch lever	44		
20	000161103	Tapping screw 3x6	45		
21	652093009	Hinge screw	46		
22	829021000	Bobbin winder cover	47		
23	830145005	Declutch arm	48		
24	625215005	Declutch arm spring	49		
25	625214004	Hinge screw	50		

