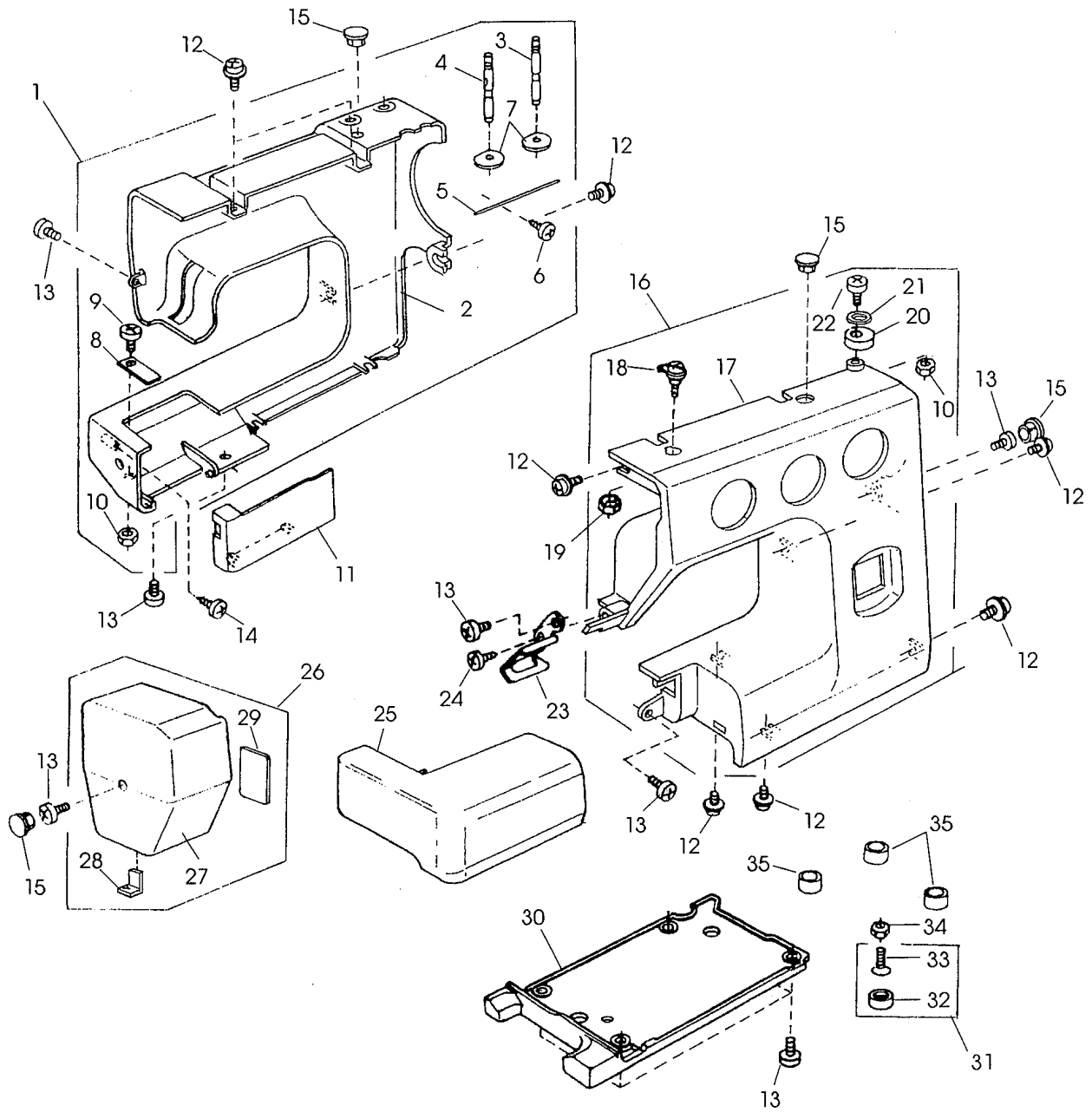


# ***PARTS LIST***

**MODEL 2003P**

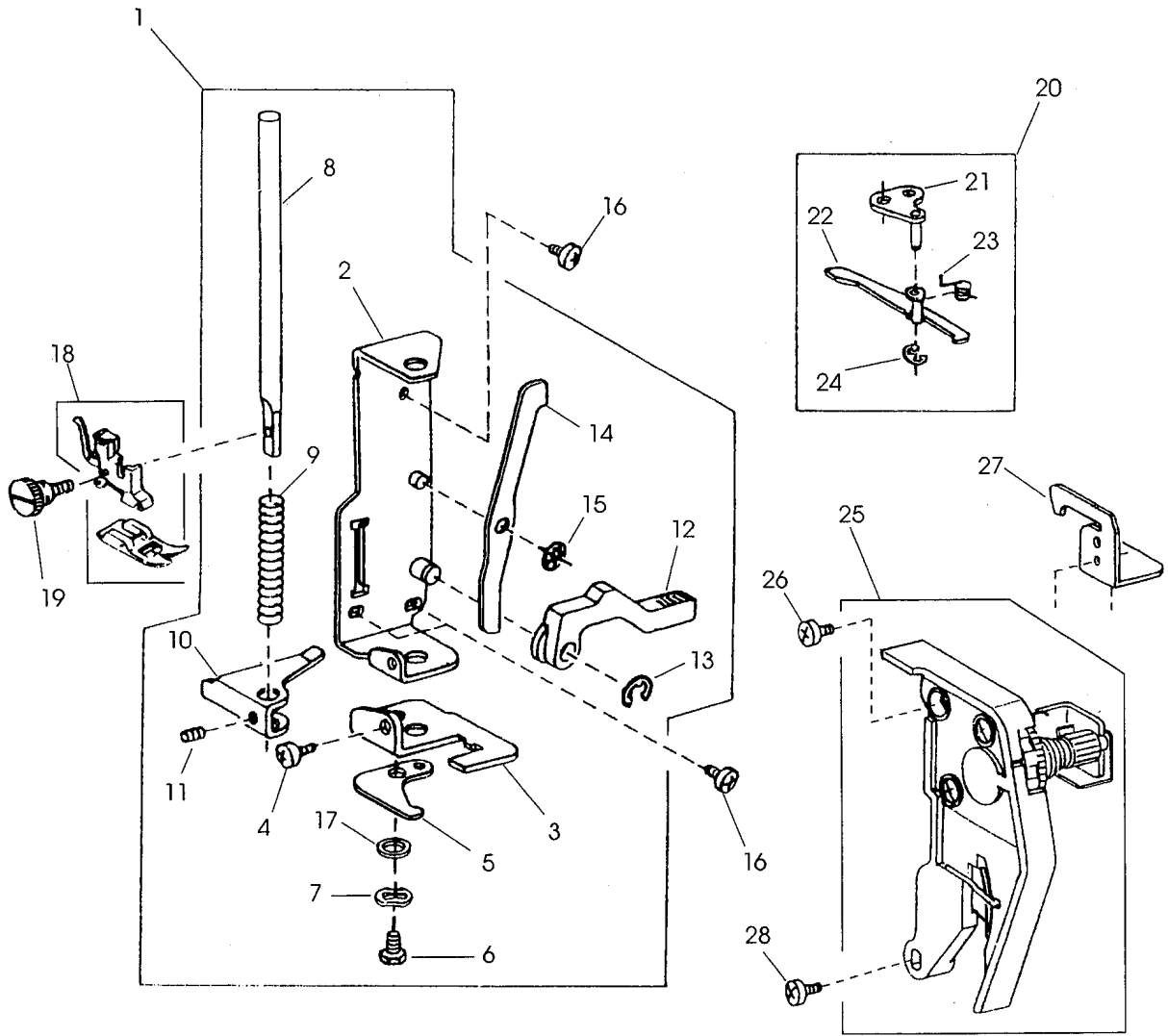
# PARTS LIST



# PARTS LIST

KEY NO.	PARTS NO.	DESCRIPTION
1	743601001	REAR COVER (UNIT)
2	743003007	REAR COVER
3	652205006	SPOOL PIN
4	652302004	SPOOL PIN
5	736007009	SPOOL PIN SPRING
6	000076317	TAPPING SCREW 3X10
7	735013005	SPOOL PIN SPRING BASE
8	730006000	SPRING
9	000101404	SET SCREW 4X6
10	000061205	NUT
11	739004005	BED COVER PLATE
12	000115205	TP SCREW 4X6
13	000081005	SET SCREW 4X8
14	000121905	TAPPING SCREW 4X12B
15	653006101	CAP
16	743607708	FRONT COVER (UNIT)
17	743016623	FRONT COVER
18	730501011	THREAD GUIDE PLATE (UNIT)
19	000160102	ADJUSTABLE LOCK NUT 4
20	735016307	BONNIN WINDER STOPPER
21	000071013	WASHER
22	000103107	SET SCREW 4X14
23	740022003	THREAD GUIDE PLATE
24	000107307	TAPPING SCREW 3X8B
25	743004008	EXTENSION TABLE
26	743602002	FACE COVER (UNIT)
27	743005009	FACE COVER
28	840602006	THREAD CUTTER (UNIT)
29	724025006	REFLEX STICKER
30	739005006	BASE PLATE
31	735616200	RUBBER BASE (UNIT)
32	735002001	RUBBER BASE
33	000097901	FLAT SCREW 5X18
34	000061319	NUT
35	739064003	BED RUBBER BASE

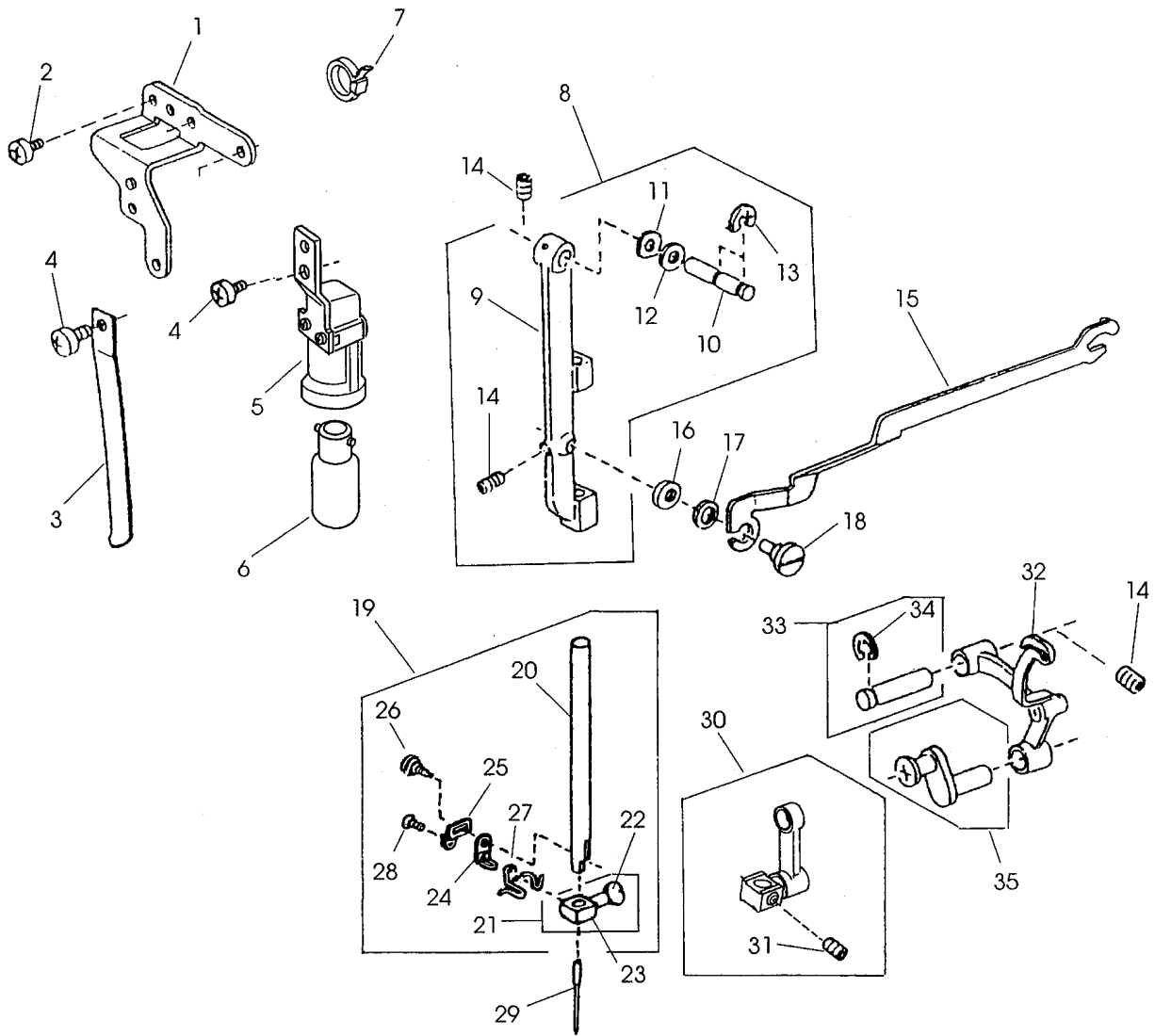
# PARTS LIST



# PARTS LIST

KEY NO.	PARTS NO.	DESCRIPTION
1	735604009	PRESSER BAR BASE PLATE (UNIT)
2	735023008	PRESSER BAR BASE PLATE
3	735024009	NEEDLE DROP ADJUSTING PLATE
4	000101404	SET SCREW 4X6
5	735025000	NEEDLE BAR SUPPORTER STOPPER
6	000138307	BOLT 4X8
7	000116103	WAVE WASHER 4
8	735026001	PRESSER BAR
9	735027002	PRESSER BAR SPRING
10	735028003	PRESSER BAR BRACKET
11	000111500	HEXAGON SOCKET SCREW 4X8
12	735029004	PRESSER FOOT LIFTER
13	000001609	SNAP RING E-5
14	735030008	TENSION RELEASE LEVER
15	000013903	SNAP RING CS-5
16	000081005	SET SCREW 4X8
17	000070506	WASHER
18	611520003	PRESSER FOOT (UNIT)
19	647112009	THUMB SCREW
20	739605002	TENSION RELEASE ARM (UNIT)
21	739017001	TENSION RELEASE ARM BASE
22	739018002	TENSION RELEASE ARM
23	739019003	TENSION RELEASE SPRING
24	000002105	SNAP RING E-3
25	743501103	TENSION ASSEMBLY
26	000103808	SET SCREW 3X5
27	739016000	TOP COVER THREAD GUIDE
28	000101703	SET SCREW 4X12

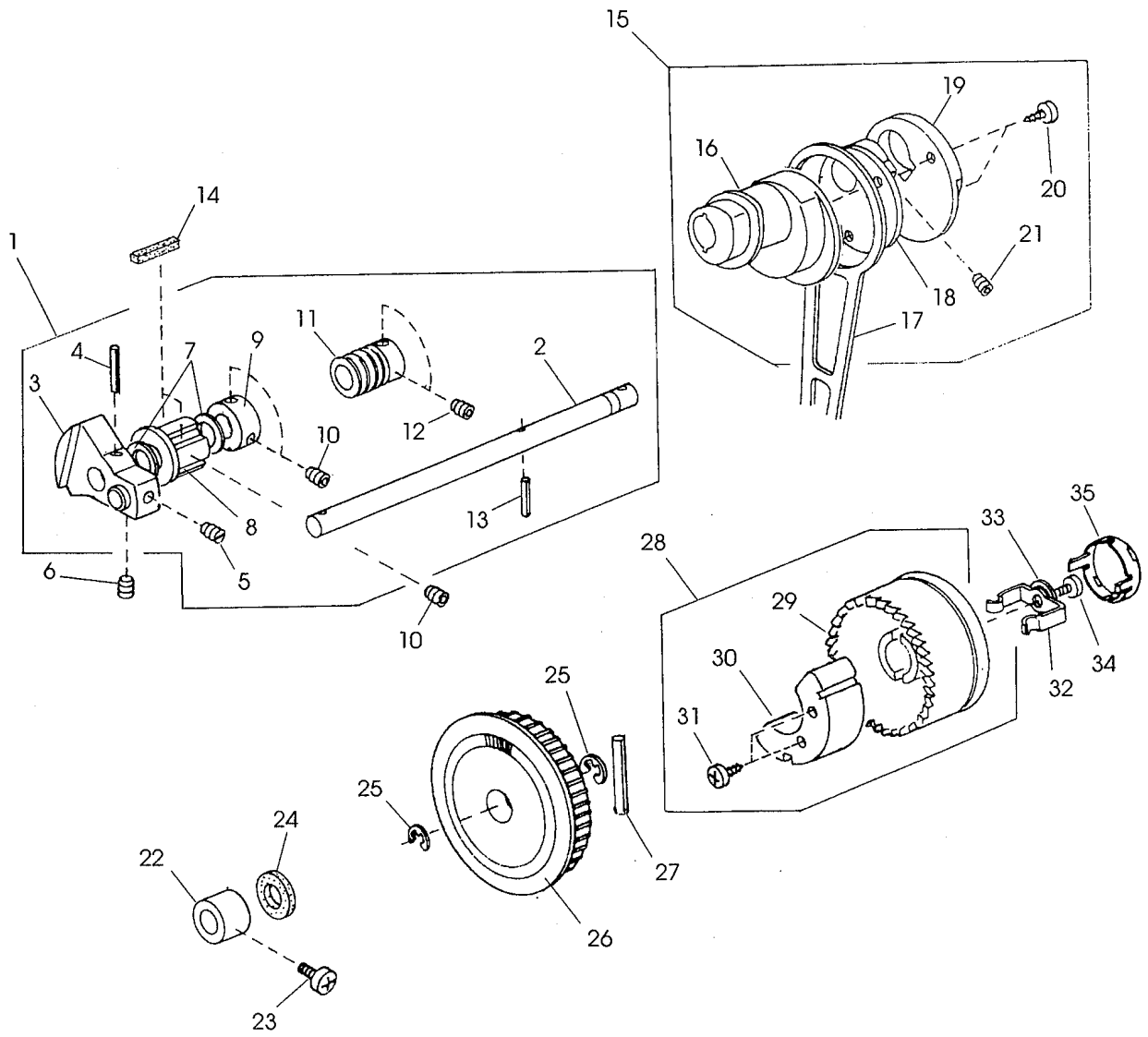
# PARTS LIST



# PARTS LIST

KEY NO.	PARTS NO.	DESCRIPTION
1	740007013	LAMP SOCKET SET PLATE
2	000081005	SET SCREW 4X8
3	730024004	NEEDLE BAR SUPPORTER SPRING
4	000101404	SET SCREW 4X6
5	740618002	LAMP SOCKET (UNIT)
6	000009009	LAMP 240V 15W
7	000053008	CORD TIE BAND
8	735605103	NEEDLE BAR SUPPORTER (UNIT)
9	735032000	NEEDLE BAR SUPPORTER
10	730022002	NEEDLE BAR SUPPORTER PIN
11	673022002	WAVE WASHER
12	000070609	PLAIN WASHER
13	000002507	SNAP RING E-4
14	000111304	HEXAGON SOCKET SCREW 5X5
15	743120001	ZIGZAG ROD
16	670258000	PLAIN WASHER
17	678044005	PLAIN WASHER
18	678084007	ECCENTRIC PIN
19	730503116	NEEDLE BAR (UNIT)
20	553085019	NEEDLE BAR
21	801506008	NEEDLE CLAMP (UNIT)
22	102047008	NEEDLE CLAMP SCREW
23	801024007	NEEDLE CLAMP
24	730025005	NEEDLE GUIDE PLATE
25	732105006	NEEDLE CLAMP PLATE
26	802108009	HINGE SCREW
27	680043012	NEEDLE BAR THREAD GUIDE
28	670047004	FLAT SCREW
29	102408089	NEEDLE HA1-14
30	680504005	NEEDLE BAR CONNECTING STUD (UNIT)
31	000111201	HEXAGON SOCKET SCREW 4X4
32	625506109	THREAD TAKE-UP LEVER (UNIT)
33	731511006	THREAD TAKE-UP LEVER PIN (UNIT)
34	000002806	SNAP RING E-6
35	735504008	NEEDLE BAR CRANK PIN (UNIT)

# PARTS LIST

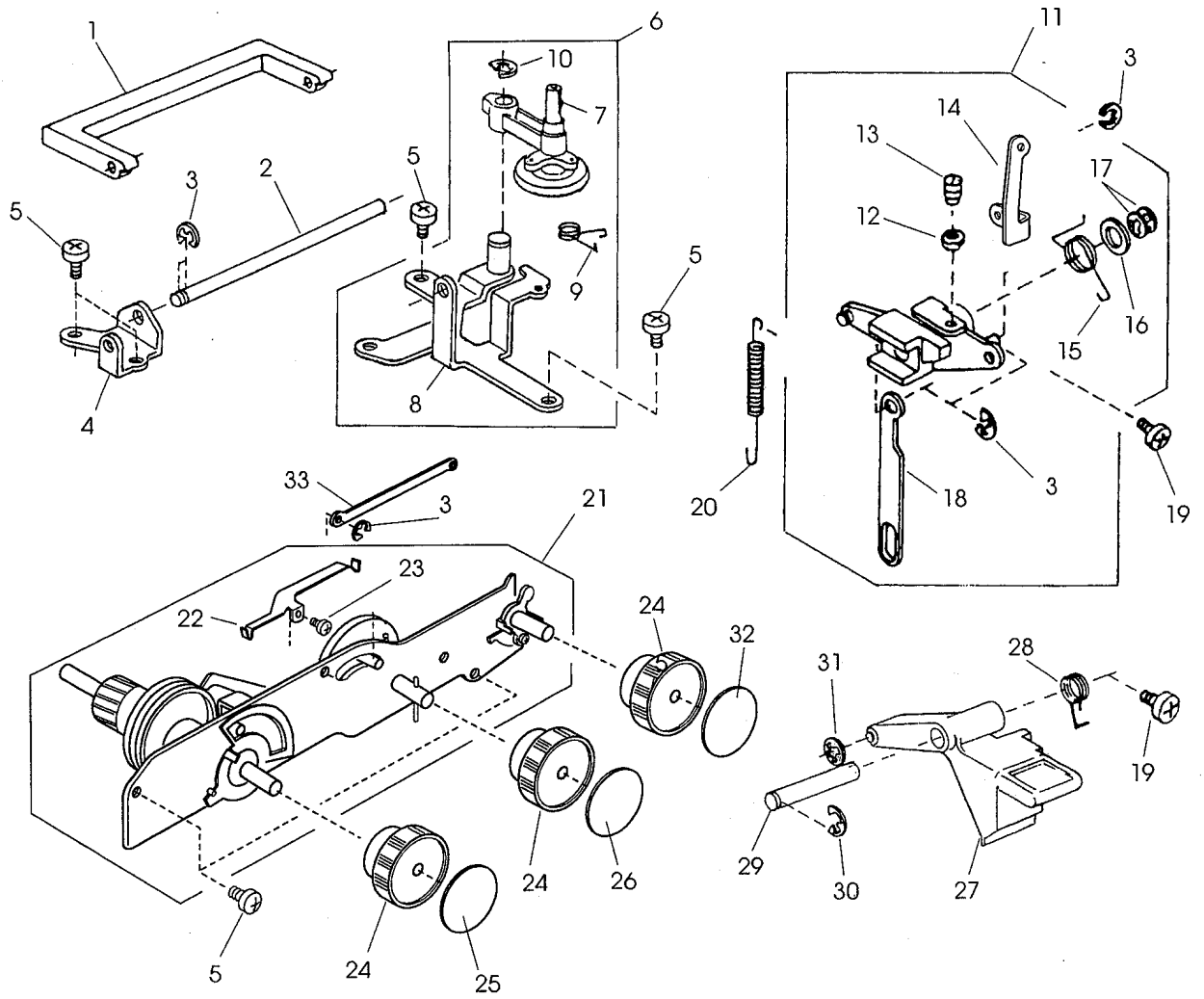




# PARTS LIST

KEY NO.	PARTS NO.	DESCRIPTION
1	743603003	UPPER SHAFT (UNIT)
2	743007001	UPPER SHAFT
3	743008002	TAKE-UP LEVER CRANK
4	000021708	KNOCK PIN
5	102073003	SET SCREW
6	761052007	SET SCREW
7	000036717	THRUST WASHER
8	732025001	UPPER SHAFT FRONT BUSHING
9	639095000	RING
10	000111304	HEXAGON SOCKET SCREW 5X5
11	751146008	WORM
12	553245008	HEXAGON SOCKET SCREW 4X4
13	000003601	SPRING PIN
14	731312005	FELT
15	743604004	CRANK ROD (UNIT)
16	743010007	FEED CAM
17	743011008	CRANK ROD
18	639033000	CRANK CAM
19	639102012	CRANK CAM PLATE
20	000150501	TAPPING SCREW 3X14B
21	000110107	HEXAGON SOCKET SCREW 5X5
22	732003003	UPPER SHAFT REAR BUSHING
23	000172602	SET SCREW 5X8
24	743029009	FELT
25	000030205	SNAP RING E-8
26	743019006	BELT WHEEL
27	000023803	SPRING PIN
28	743606006	HANDWHEEL (UNIT)
29	639097024	HANDWHEEL
30	743030003	BALANCE WEIGHT
31	000121400	TAPPING SCREW 3X14B
32	639113016	CLUTCH SPRING
33	000071013	WASHER
34	810220003	SET SCREW
35	650070509	CLUTCH CAP

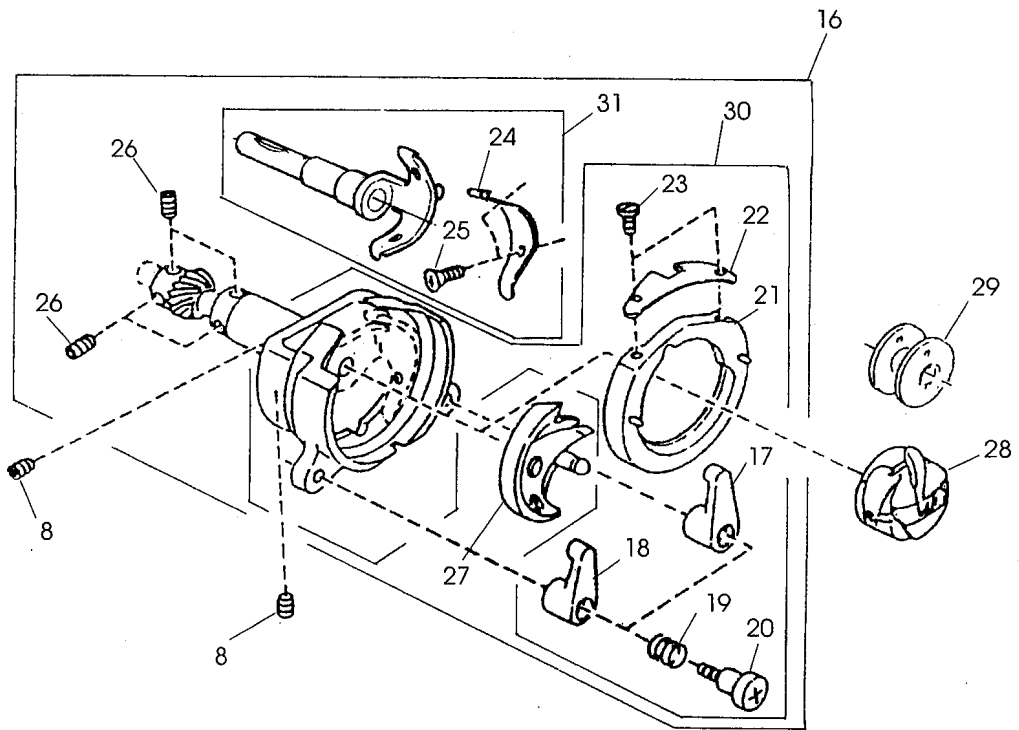
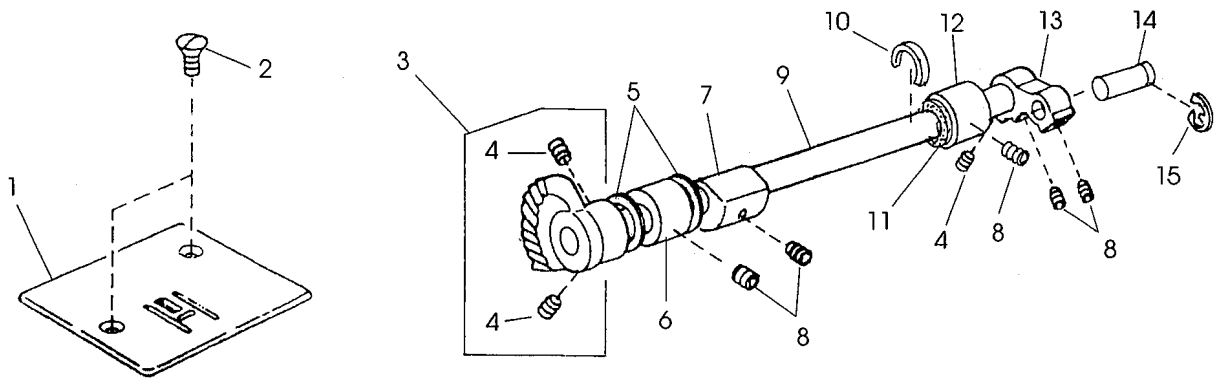
# PARTS LIST



# PARTS LIST

KEY NO.	PARTS NO.	DESCRIPTION
1	735017308	HANDLE
2	740011009	HANDLE SHAFT
3	000002105	SNAP TING E-3
4	740010008	HANDLE SUPPORTER
5	000081005	SET SCREW 4X8
6	740602209	BOBBIN WINDER BASE PLATE (UNIT)
7	735501005	BOBBIN WINDER ARM (UNIT)
8	740003101	BOBBIN WINDER BASE PLATE
9	740042009	BOBBIN WINDER ARM SPRING
10	000002806	SNAP RING E-6
11	742611001	FEED REGULATOR (UNIT)
12	000160102	ADJUSTABLE LOCK NUT 4
13	648010009	SET SCREW
14	739020007	FEED REGULATING ROD
15	735077007	FEED REGULATING BODY SPRING
16	735073003	PLAIN WASHER
17	000013800	SNAP RING CS-6
18	730045001	REVERSE LINK
19	000172602	SET SCREW 5X8
20	670100006	FEED REGULATOR SPRING
21	743651006	ZIGZAG MECHANISM (UNIT)
22	743116004	INDEX SPRING
23	000101105	SET SCREW 3X4
24	743015002	DIAL
25	743124005	PATTERN INDICATOR PLATE
26	743125006	STITCH INDICATOR PLATE
27	743014001	R BUTTON
28	739063002	R BUTTON SPRING
29	736015000	R BUTTON SHAFT
30	000001609	SNAP RING E-5
31	000014007	SNAP RING CS-4
32	743126007	WIDTH INDICATOR PLATE
33	743118006	ZIGZAG REGULATOR RINK

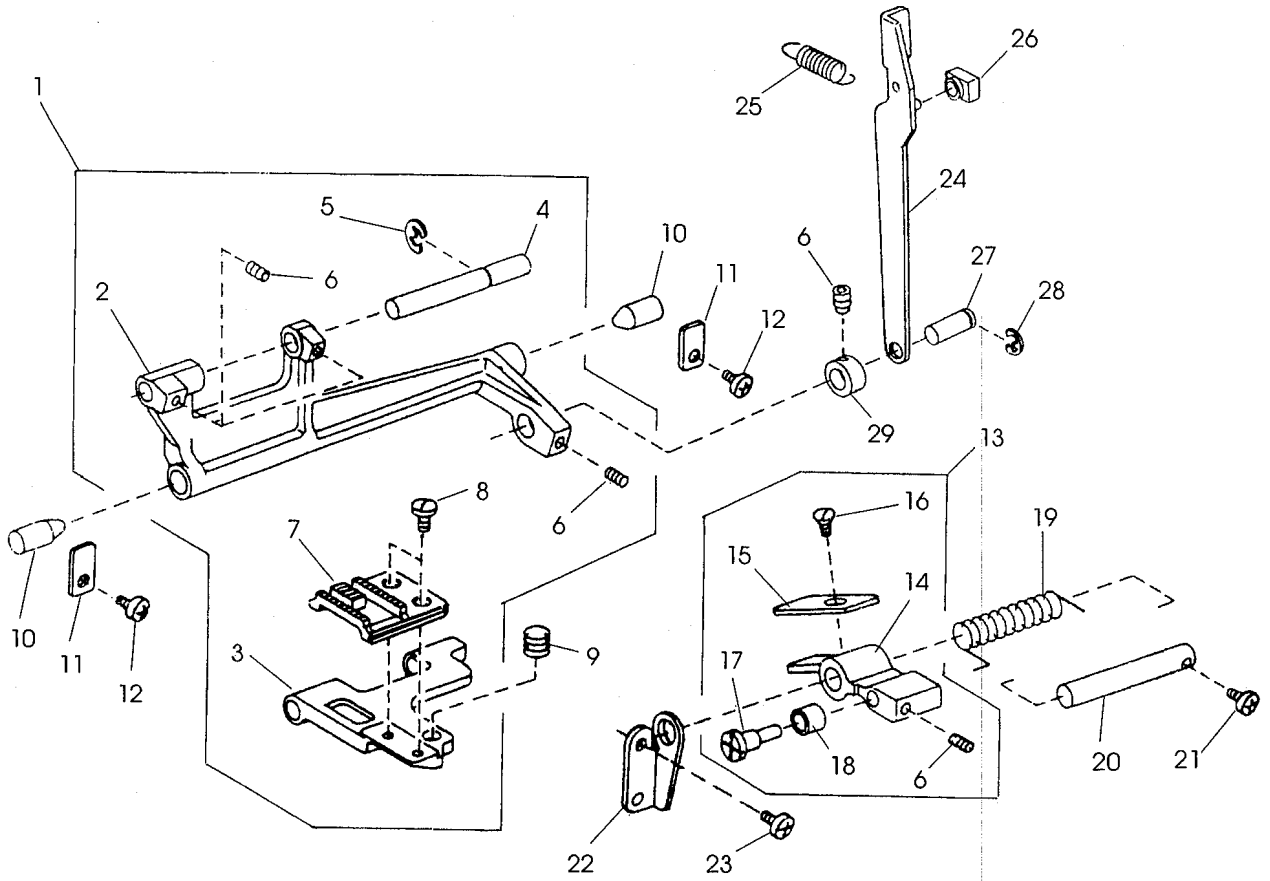
# PARTS LIST



# PARTS LIST

KEY NO.	PARTS NO.	DESCRIPTION
1	744004001	NEEDLE PLATE
2	681009101	SET SCREW
3	735950003	LOWER SHAFT GEAR (UNIT)
4	000110107	HEXAGON SOCKET SCREW 5X5WP
5	000036201	WASHER 8-0.5
6	735233003	BUSHING
7	735061008	FEED LIFTING CAM
8	000111304	HEXAGON SOCKET SCREW 5X5
9	735236006	LOWER SHAFT
10	735239009	FELT HOLDER
11	822070003	FELT
12	735234004	BUSHING
13	639036003	LOWER SHAFT CRANK ARM
14	639037004	PIN
15	000001609	SNAP RING E-5
16	735610101	SHUTTLE RACE BODY (UNIT)
17	605065006	SHUTTLE RACE RING CLASP (RIGHT)
18	605066007	SHUTTLE RACE RING CLASP (LEFT)
19	639108007	SHUTTLE RACE RING CLASP SPRING
20	673290003	HINGE SCREW
21	553168006	SHUTTLE RACE RING
22	601801000	SHUTTLE RACE SPRING
23	102100000	SET SCREW
24	670286007	SHUTTLE DRIVER SPRING
25	102202003	PLAIN SCREW
26	553245008	HEXAGON SOCKET SCREW
27	532096007	SHUTTLE HOOK
28	647515006	BOBBIN CASE (UNIT)
29	102261000	BOBBIN
30	735508105	SHUTTLE RACE BODY (UNIT)
31	735509003	DRIVER BODY (UNIT)

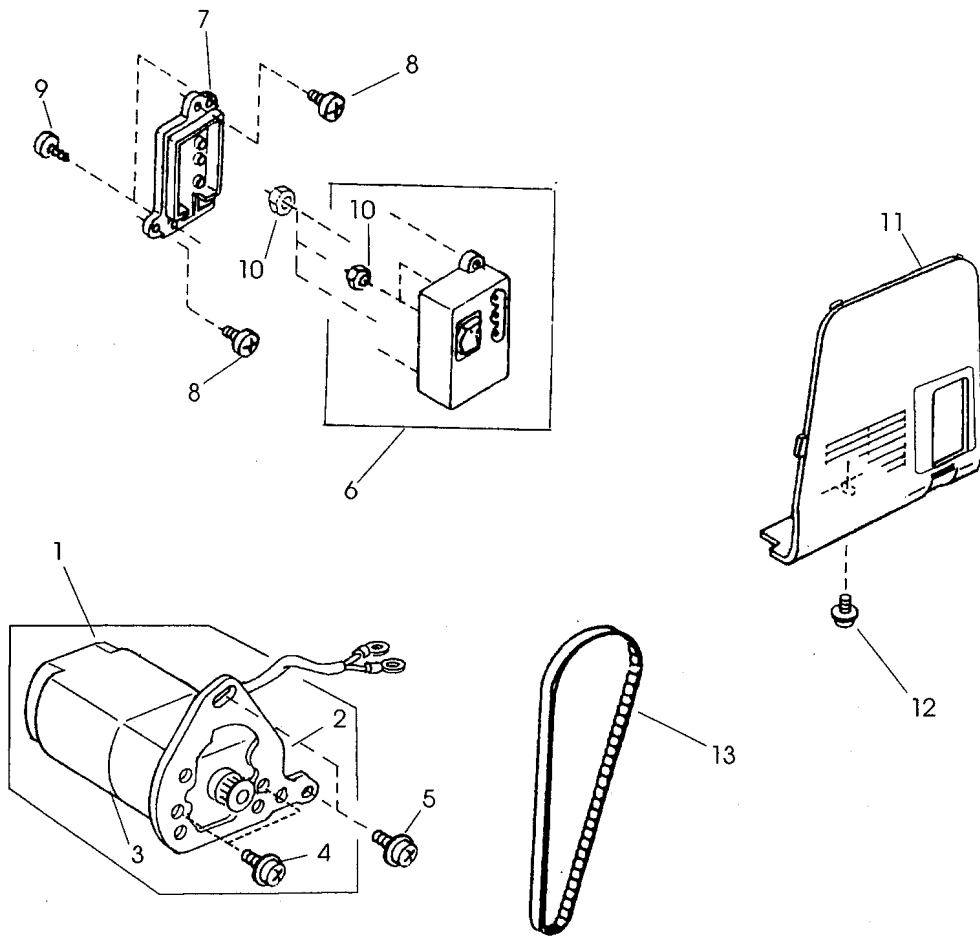
# PARTS LIST



# PARTS LIST

KEY NO.	PARTS NO.	DESCRIPTION
1	735612000	FEED ROCK SHAFT (UNIT)
2	735078008	FEED ROCK SHAFT
3	735079009	FEED BAR
4	735080003	FEED BAR SHAFT
5	000002507	SNAP RING E-4
6	000111201	HEXAGON SOCKET SCREW
7	735081004	FEED DOG
8	735082005	SET SCREW
9	735083006	FEED BAR SPRING
10	735084007	FEED ROCK SHAFT CENTER
11	735085008	FEED ROCK SHAFT CENTER PLATE
12	000101404	SET SCREW 4X6
13	735613001	FEED LIFTING ARM (UNIT)
14	735086009	FEED LIFTING ARM
15	605030002	SLIDING PLATE
16	365032001	SET SCREW
17	735087000	FEED LIFTING PIN
18	735088001	FEED LIFTING ROLLER
19	735089002	FEED LIFTING SPRING
20	735090006	FEED LIFTING SHAFT
21	000097200	SET SCREW 4X12
22	739022009	FEED LIFTING SHAFT HOLDER
23	000081119	SET SCREW 4X6
24	743012009	FEED ROD
25	743013000	FEED ROD SPRING
26	102141003	FEED REGULATOR SLIDE BLOCK
27	735071001	FEED ROCK SHAFT CONNECTING PIN
28	000002806	SNAP RING E-6
29	735276008	RING

# PARTS LIST

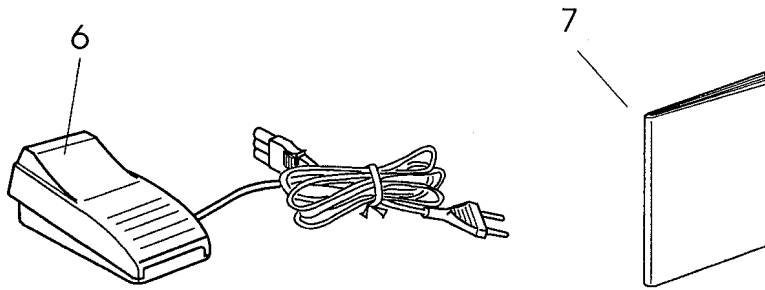
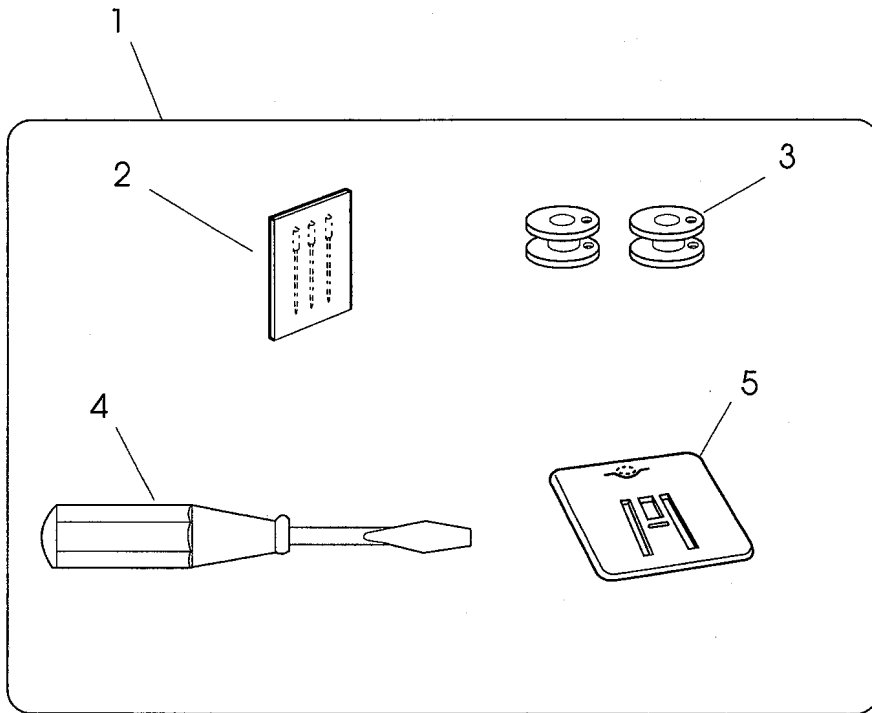




# PARTS LIST

KEY NO.	PARTS NO.	DESCRIPTION
1	743611004	MOTOR ASSY
2	743025005	MOTOR BRACKET
3	024070108	MOTOR ASSY
4	023100404	SET SCREW 4X20
5	000201209	SET SCREW 5X12
6	739503009	MACHINE SOCKET (UNIT)
7	739037007	MACHINE SOCKET COVER
8	000103509	SET SCREW 4X10
9	000107802	SET SCREW 3X10
10	000060802	NUT
11	743017004	BELT COVER
12	000115205	SET SCREW 4X6
13	650166008	MOTOR TIMING BELT

# PARTS LIST



# PARTS LIST

KEY NO.	PARTS NO.	DESCRIPTION
1	743870058	ACCESSORY SET
2	639804000	NEEDLE SET
3	102261000	BOBBIN
4	647802003	SCREW DRIVER
5	735801008	DARNING PLATE
6	042870205	FOOT CONTROL (TJC-211)
7	743800301	INSTRUCTION BOOK

