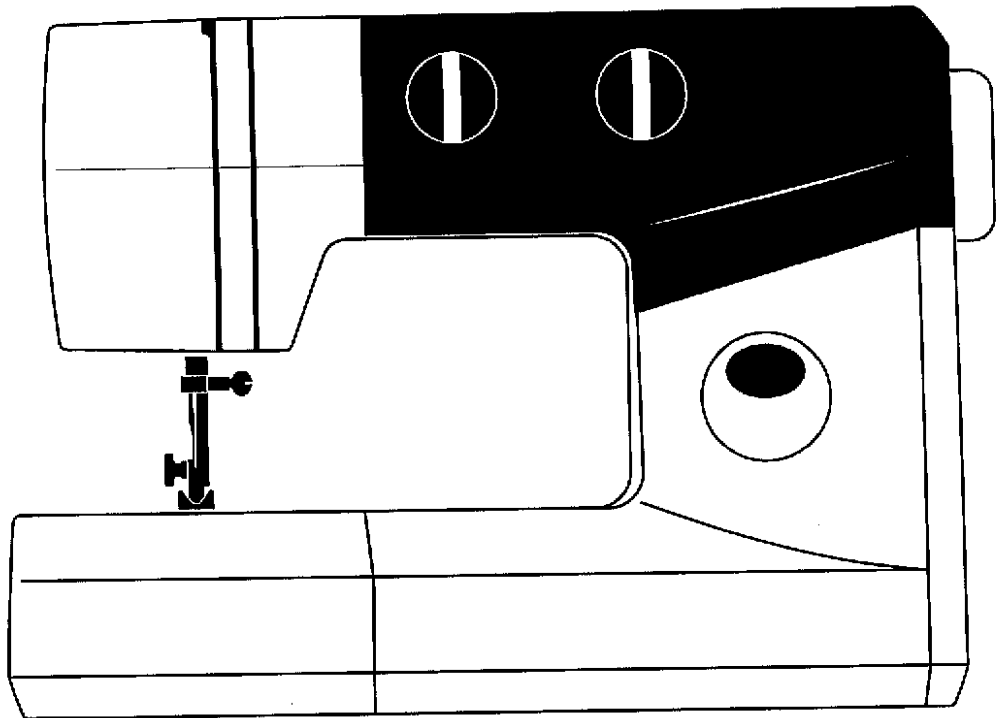
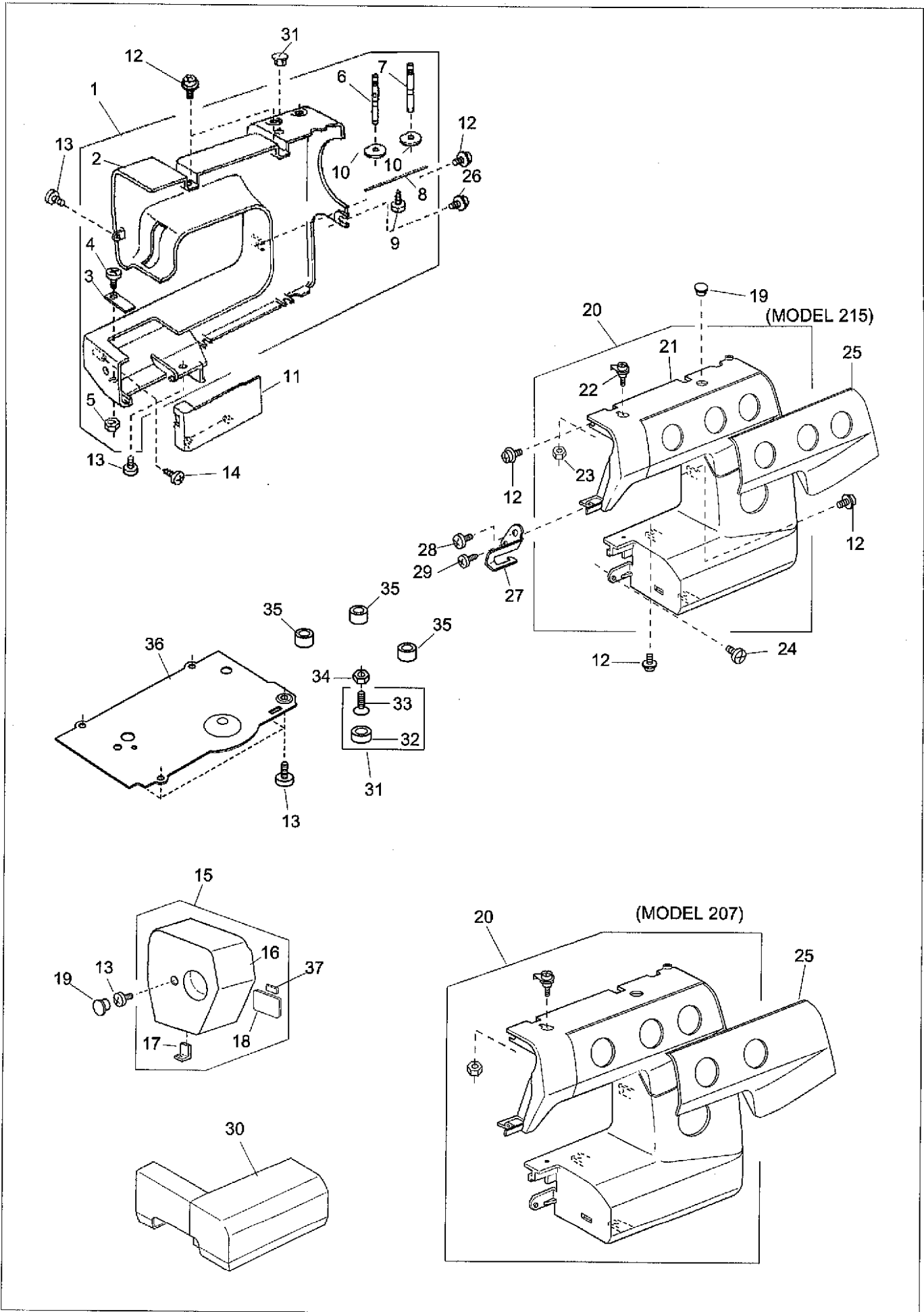


Parts List

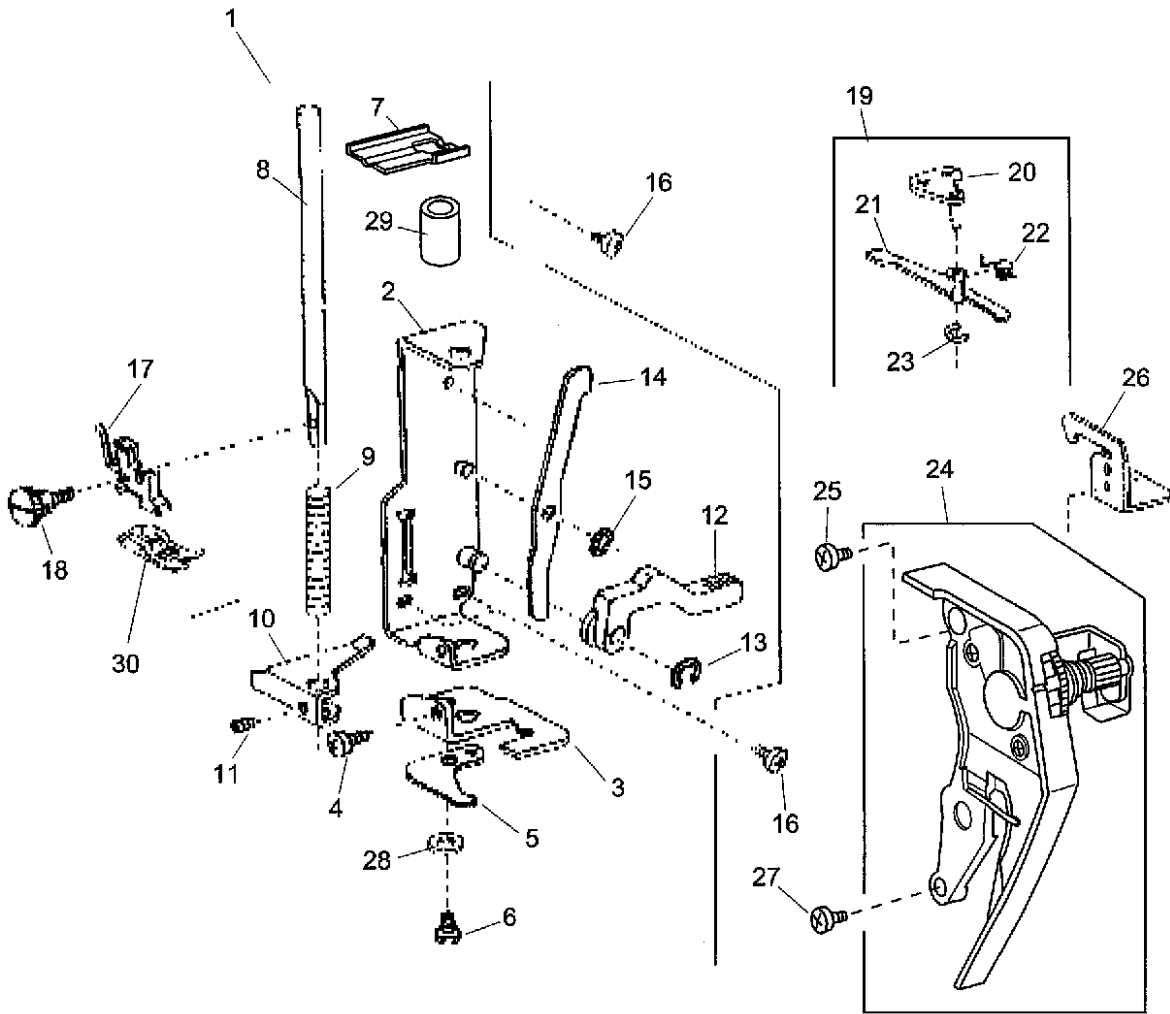


Huskystar 207-215



30.

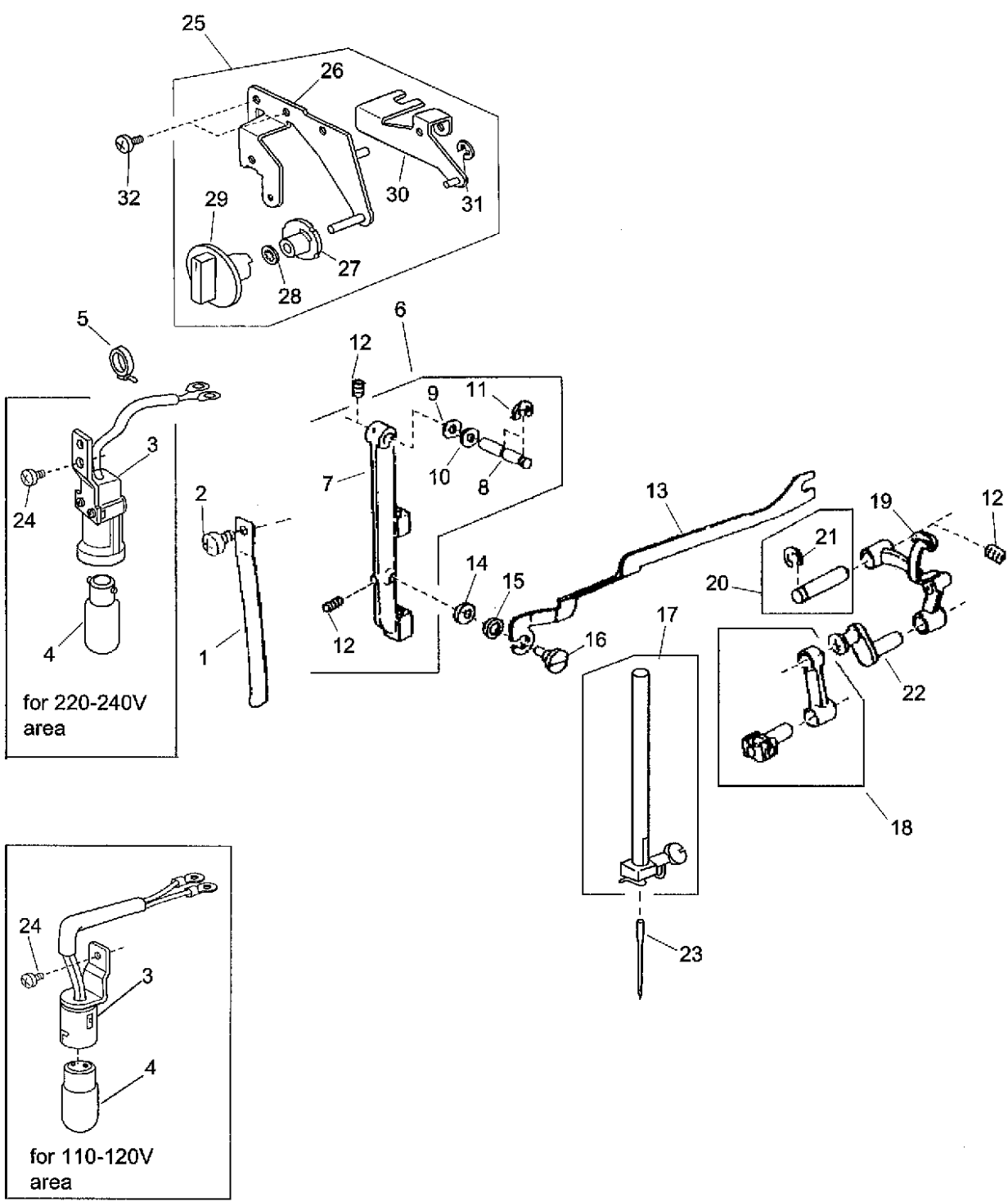
Key No.	Part No.	Name
1	301601009	Rear cover unit
2	301001106	Rear cover
3	730006000	Spring
4	000101404	Set screw
5	000061205	Nut
6	652302004	Spool pin
7	652205006	Spool pin
8	736007009	Spool pin spring
9	000076317	Set screw
10	745038007	Spool pin felt
11	745002002	Bed cover plate
12	000115205	Set screw
13	000081005	Set screw
14	000121905	Set screw
15	301602000	Face cover unit for M 215 for 220-230V area
	301602011	Face cover unit for M 215 for Australia and 110-120V area
	301602022	Face cover unit for M 207 for 220-230V area
	301602033	Face cover unit for M 207 for Australia and 110-120V area
16	301005100	Face cover for M 215
	301005111	Face cover for M207
17	840602006	Thread cutter unit
18	724025006	Reflection sticker
19	745033002	Cap
20	301606004	Front panel unit for M215
	301606107	Front panel unit for M207
21	301013008	Front cover
22	730501011	Thread guide plate unit
23	000160102	Adjustable lock
24	000115607	Set screw
25	301014102	Ornamental plate for M215
	301014205	Ornamental plate for M207
26	000114802	Set screw
27	745031000	Thread guide plate
28	000101404	Set screw
29	000107307	Set screw
30	301501008	Extension table unit
31	735616200	Rubber base unit
32	735002001	Rubber base
33	000097901	Set screw
34	000061319	Nut
35	739064003	Bed rubber base
36	740137002	Base plate
37	100411104	Sticker for Australia and 110-120V area only



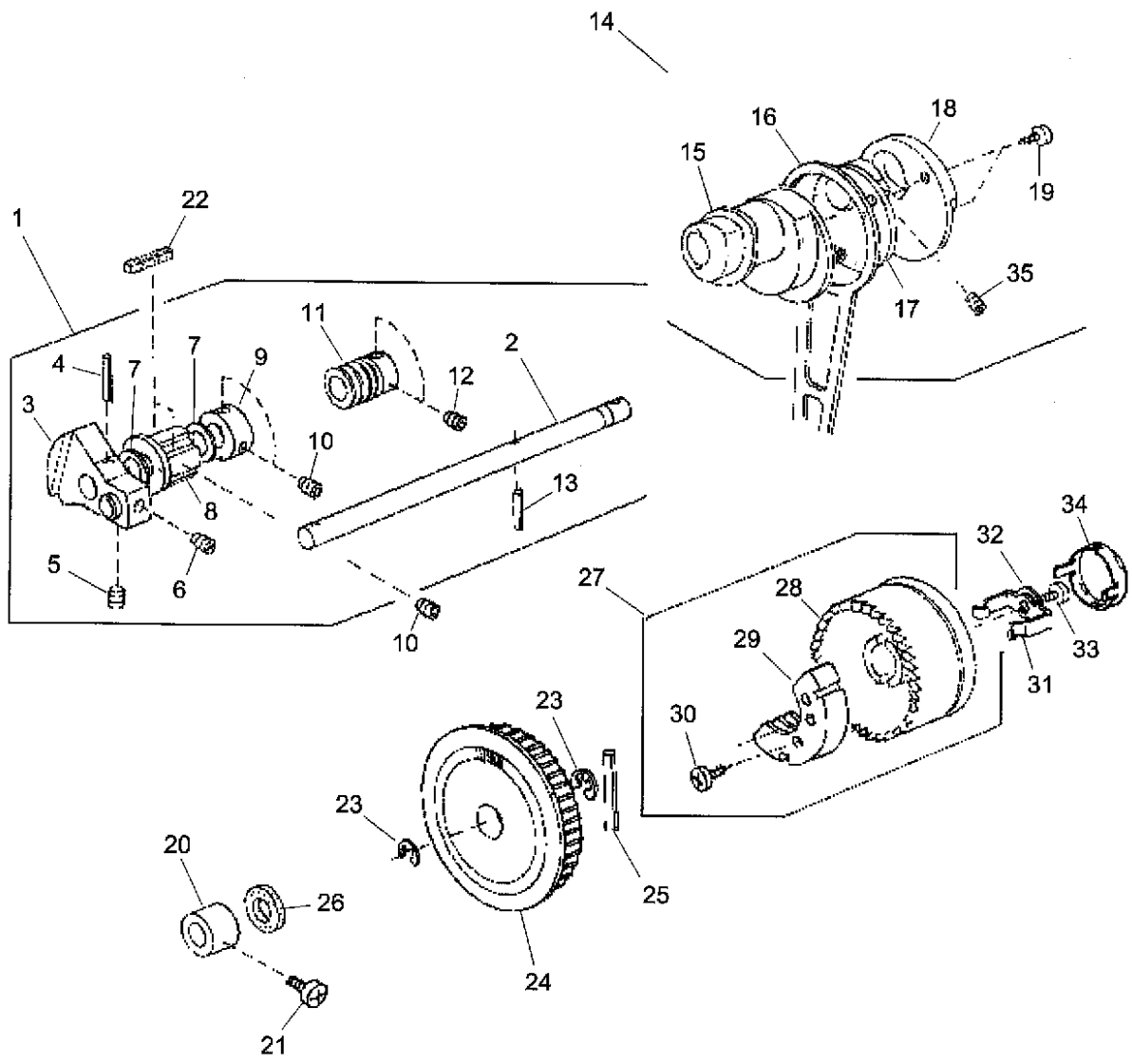
24

Key No.	Part No.	Name
1	301604002	Presser bar base plate unit
2	735023008	Presser bar base plate
3	735024009	Needle drop adjusting plate
4	000101404	Set screw
5	735025000	Needle bar supporter stopper
6	000138307	Bolt
7	301018003	Plate
8	735026001	Presser bar
9	301020008	Presser bar spring
10	735025003	Presser bar bracket
11	000111500	Hexagon socket screw
12	735029004	Presser bar lifter
13	000001609	Snap ring
14	735030008	Tension release lever
15	000013903	CS ring
16	000081005	Set screw
17	611510103	Foot holder unit
18	647112009	Thumb screw
19	739605002	Tension release arm unit
20	739017001	Tension release arm base
21	739018002	Tension release arm
22	739019003	Tension release spring
23	000002105	Snap ring
24	301503000	Tension unit
25	000103808	Set screw
26	739016000	Top cover thread guide
27	000101703	Set screw
28	000070506	Washer
29	301019004	Bushing
30	611511001	Zigzag foot

3
19
18
17



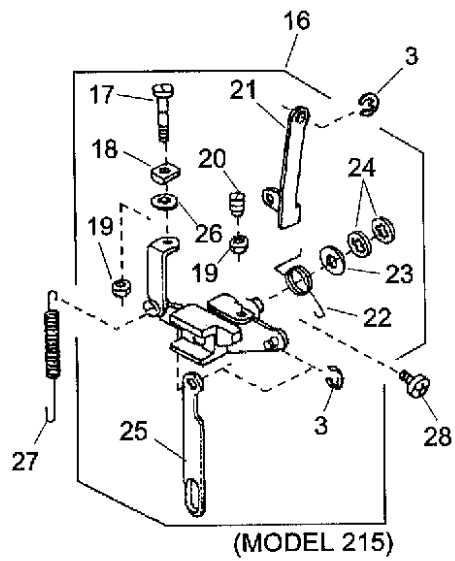
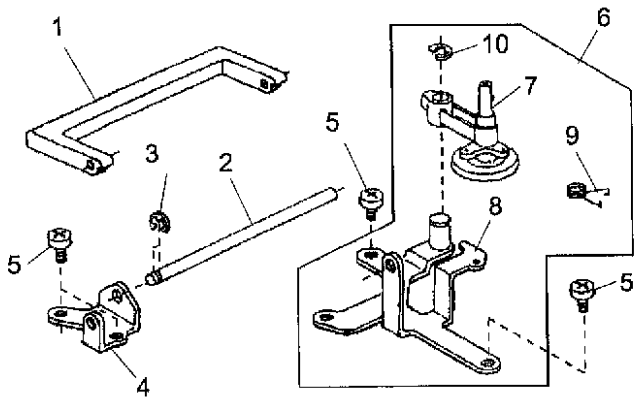
Key No.	Part No.	Name
1	730024004	Spring
2	000101404	Set screw
3	740618002	Lamp socket unit for 220-230V area and Australia
	647513015	Lamp socket unit for 110-120V area
4	000009009	Lamp, 240V, 15W for 220-240V area
	000009803	Lamp, 120V, 15W for 110-120V area
5	000053008	Cord tie band
6	735605103	Needle bar supporter unit
7	735032000	Needle bar supporter
8	730022002	Needle bar supporter pin
9	673022002	Washer
10	000070609	Washer
11	000002507	Snap ring
12	000111304	Hexagon socket screw
13	735119002	Zigzag rod
14	670258000	Washer
15	678044005	Washer
16	678084007	Eccentric pin
17	730503116	Needle bar unit
18	680504005	Needle bar connecting stud unit
19	625506109	Thread take up lever unit
20	731511006	Thread take up lever pin unit
21	000002806	Snap ring
22	735504008	Needle bar crank pin unit
23	4123104-01	Needle, size 14
24	000107802	Tapping screw
25	301603001	Face plate set plate unit
26	301008000	Face plate set plate
27	301021009	Pressure regulating cam
28	000013800	CS ring
29	301006008	Dial
30	301007009	Adjusting arm
31	000001609	Snap ring
32	000081005	Set screw



18
 14-①
 17
 15
 27
 24
 31
 25
 34.

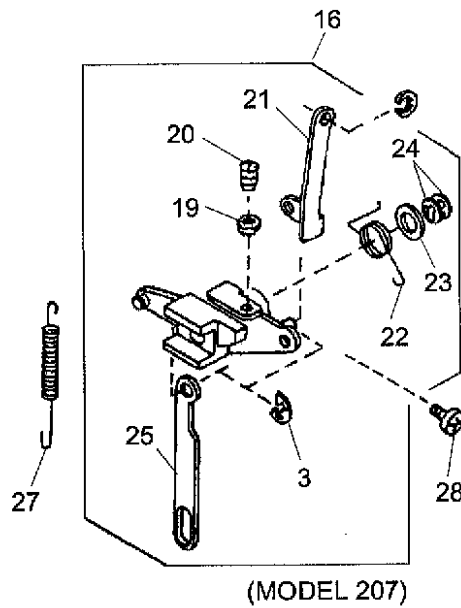
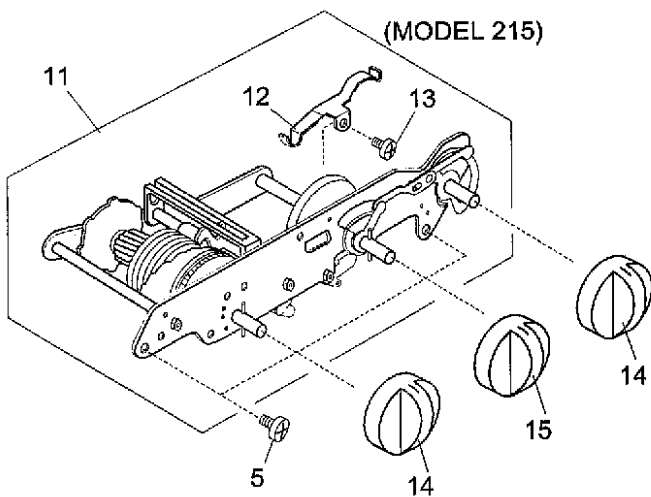
Key No.	Part No.	Name
1	743603106	Upper shaft unit
2	743007001	Upper shaft
3	743008002	Take up lever crank
4	000021708	Pin
5	102073003	Set screw
6	761052007	Set screw
7	000036717	Washer
8	732025001	Bushing
9	639095000	Ring
10	000111304	Hexagon socket screw
11	749011006	Worm gear
12	553245008	Hexagon socket screw
13	000003601	Spring pin
14	743604004	Crank rod unit
15	743010007	Feed cam
16	743011008	Crank rod
17	639033000	Crank cam
18	639102012	Crank cam plate
19	000150501	Set screw
20	732003003	Bushing
21	000172602	Set screw
22	731312005	Felt
23	000030205	Snap ring
24	743019006	Belt wheel
25	000023803	Spring pin
26	743029009	Felt
27	743606006	Hand wheel unit
28	639097024	Hand wheel
29	743030003	Balance weight
30	000121400	Set screw
31	639113016	Spring pin
32	000071013	Washer
33	810220003	Set screw
34	301010005	Cap
35	000110107	Hexagon socket screw

7.
11.



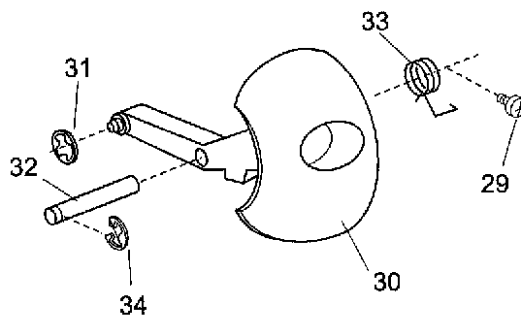
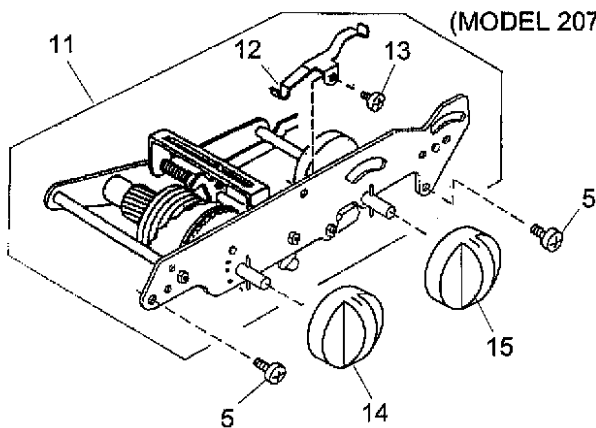
(MODEL 215)

(MODEL 215)



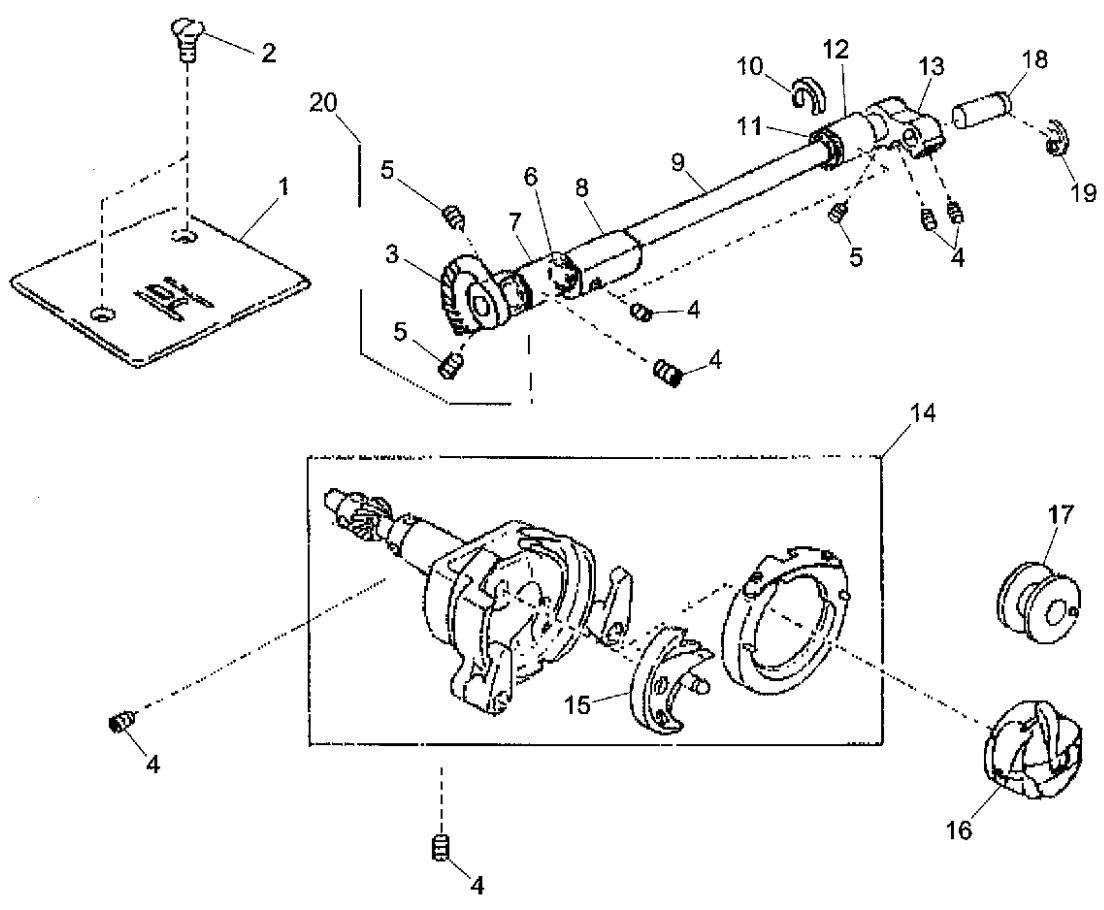
(MODEL 207)

(MODEL 207)



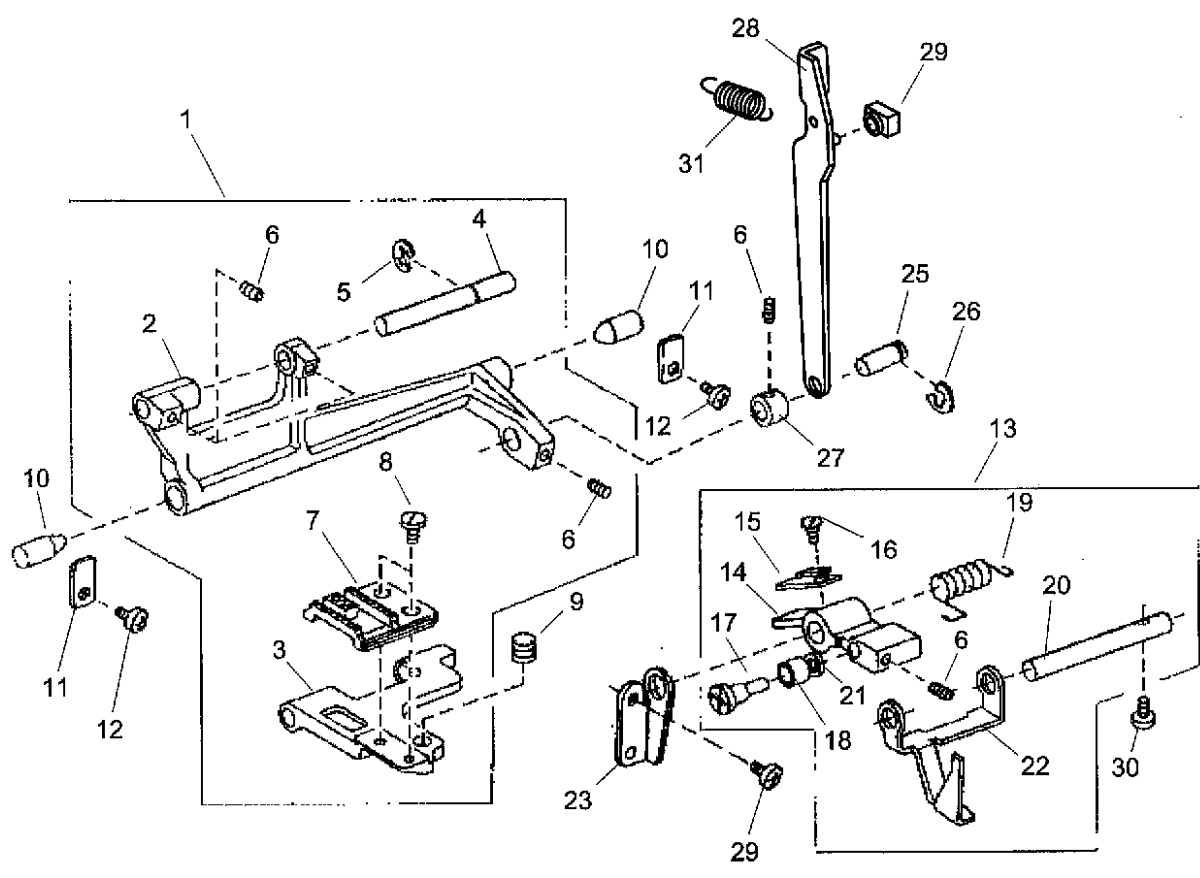
Key No.	Part No.	Name
1	301004006	Handle
2	740011009	Handle shaft
3	000002105	Snap ring
4	740010008	Handle supporter
5	000081005	Set screw
6	740602209	Bobbin winder unit
7	735501005	Bobbin winder
8	740003101	Bobbin winder base plate
9	740042009	Spring
10	000002806	Snap ring
11	301605003	Zigzag mechanism unit for M 215
	301607005	Zigzag mechanism unit for M207
12	737011009	Spring
13	000103808	Set screw
14	301012007	Dial
15	301017002	Stitch length dial
16	736604105	Feed regulator unit M215
	742611001	Feed regulator unit M207
17	735074004	Stretch stitch adjusting screw M215
18	735076006	Nut for M215
19	000160102	Nut
20	648010009	Set screw
21	739020007	Feed regulator rod
22	735077007	Spring
23	735073003	Washer
24	000013800	CS ring
25	745052007	Reverse link
26	000071013	Washer
27	670100006	Spring
28	000172602	Set screw
29	000101301	Set screw
30	301011006	Reverse button
31	000014007	CS ring
32	736015000	Reverse button shaft
33	739063002	Spring
34	000001609	Snap ring

2
1.
3.
5.
15.
16.
14.

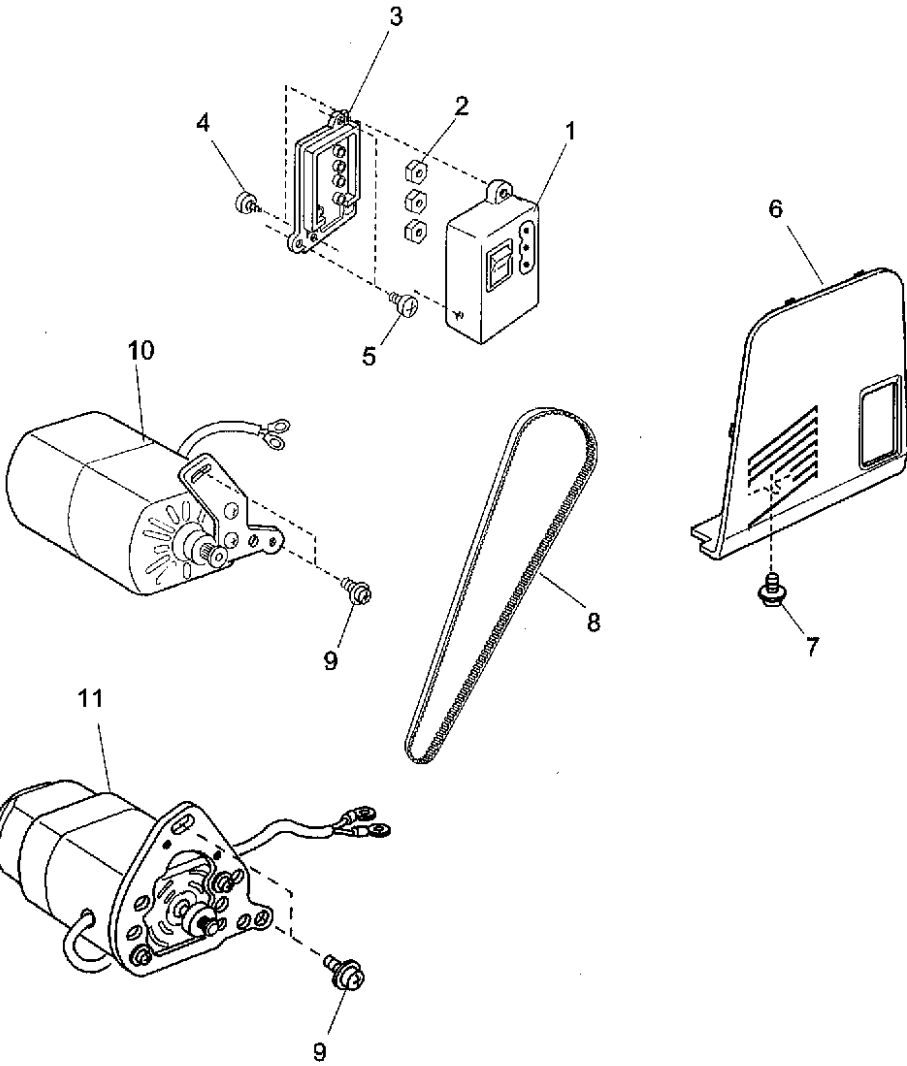


Key No.	Part No.	Name
1	744004001	Needle plate
2	681009101	Set screw
3	735951004	Lower shaft gear
4	000111304	Hexagon socket screw
5	000110107	Hexagon socket screw
6	000036201	Washer
7	735233003	Bushing
8	735061008	Feed lifting cam
9	735236006	Lower shaft
10	735239009	Felt holder
11	822070003	Felt
12	735234004	Bushing
13	639036003	Lower shaft crank arm
14	735610101	Shuttle race body unit
15	532096007	Shuttle hook
16	647515006	Bobbin case
17	102261000	Bobbin
18	639037004	Pin
19	000001609	Snap ring
20	735950003	Lower shaft gear unit

8

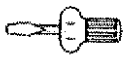


Key No.	Part No.	Name
1	735612000	Feed rock shaft unit
2	735078008	Feed rock shaft
3	735079009	Feed bar
4	735080003	Feed bar shaft
5	000002507	Snap ring
6	000111201	Hexagon socket screw
7	735081004	Feed dog
8	735082005	Set screw
9	735083006	Spring
10	735084007	Feed rock shaft center
11	735085008	Feed rock shaft center plate
12	000101404	Set screw
13	740605006	Feed lifting arm unit
14	735086009	Feed lifting arm
15	730062004	Sliding plate
16	365032001	Set screw
17	735087000	Feed lifting pin
18	735088001	Feed lifting roller
19	730061003	Spring
20	735090006	Feed lifting shaft
21	670258000	Washer
22	740013001	Drop feed selecting plate
23	739022009	Feed lifting shaft holder
24	000081119	Set screw
25	735071001	Pin
26	000002806	Snap ring
27	735276008	Ring
28	743012009	Feed rod
29	102141003	Sliding block
30	000097200	Set screw
31	743013000	Spring

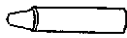


1.
 3.
 8.
 10.

Key No.	Part No.	Name
1	739503102	Machine socket unit for 220-230V area and Australia
	739505207	Machine socket unit for 110-120V area
2	000060802	Nut
3	739037007	Machine socket cover
4	000107802	Set screw
5	000103509	Set screw
6	301015000	Belt cover
7	000115205	Set screw
8	650166008	Motor timing belt
9	000201209	Set screw
10	743611004	Motor for 220-230V area
	743611200	Motor for Australia
	743612005	Motor for U.S.A. and Canada



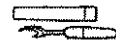
1



2



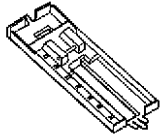
3



4



5



6



7



8



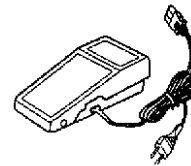
9



10



11



12

12.

Key No.	Part No.	Name
1	4123815-01	Screwdriver
2	4156434-01	Oiler with oil
3	102261000	Bobbin
4	4015399-01	Buttonhole knife
5	4113104-01	Set of needles
6	611413002	Buttonhole foot
7	611406002	Zipper foot
8	674401002	Blind hemming guide
9	620404008	Overlock foot (M215 only)
10	4126802-01	Instruction book -Swe
	4126802-06	Instruction book -Dan
	4126802-11	Instruction book - Fin
	4126802-21	Instruction book -Nor
	4126802-26	Instruction book -Eng
	4126802-31	Instruction book -Fra
	4126802-36	Instruction book -Hol
	4126802-41	Instruction book -Ita
	4126802-46	Instruction book -Spa
	4126802-51	Instruction book -Ger
	4126802-56	Instruction book -Rys
11	741811000	Dust cover
12	042870401	Foot control for Great Britain
	042870308	Foot control for 220-230V area
	042870102	Foot control for Australia & New Zealand
	033870104	Foot control for Canada & U.S.A.
13.	032851106	Cord for Controller 033870104
	042850704	Cord for Controller 042870401
	223005401	Cord for Controller 042870308
	223125401	Cord for Controller 042870102

