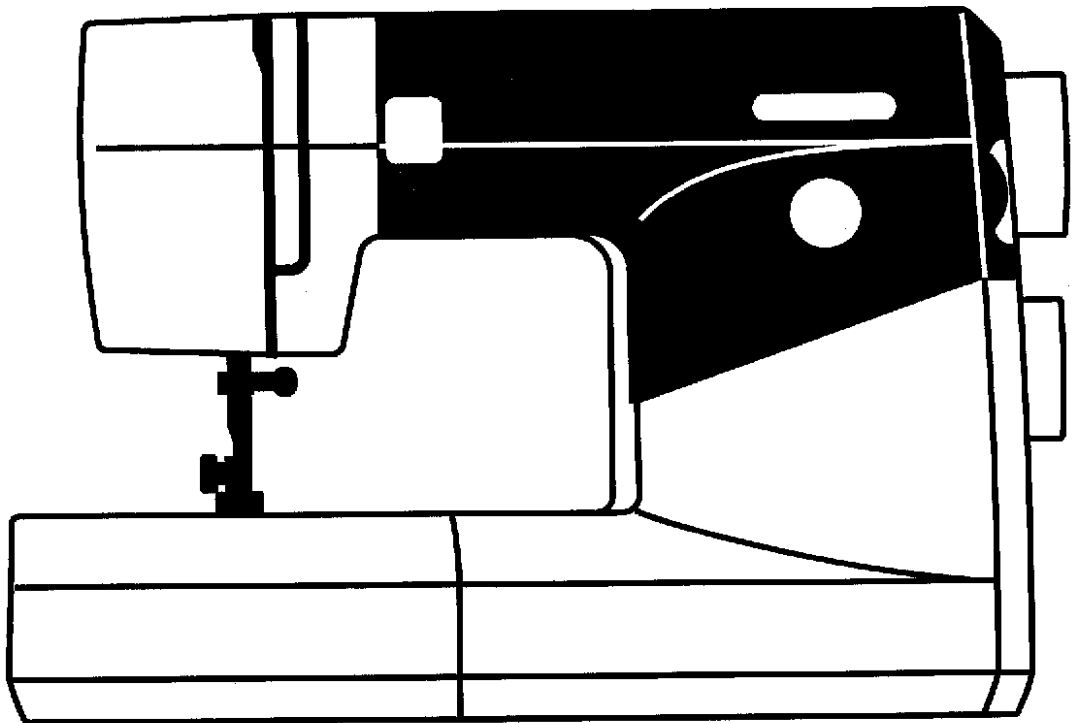


Parts List

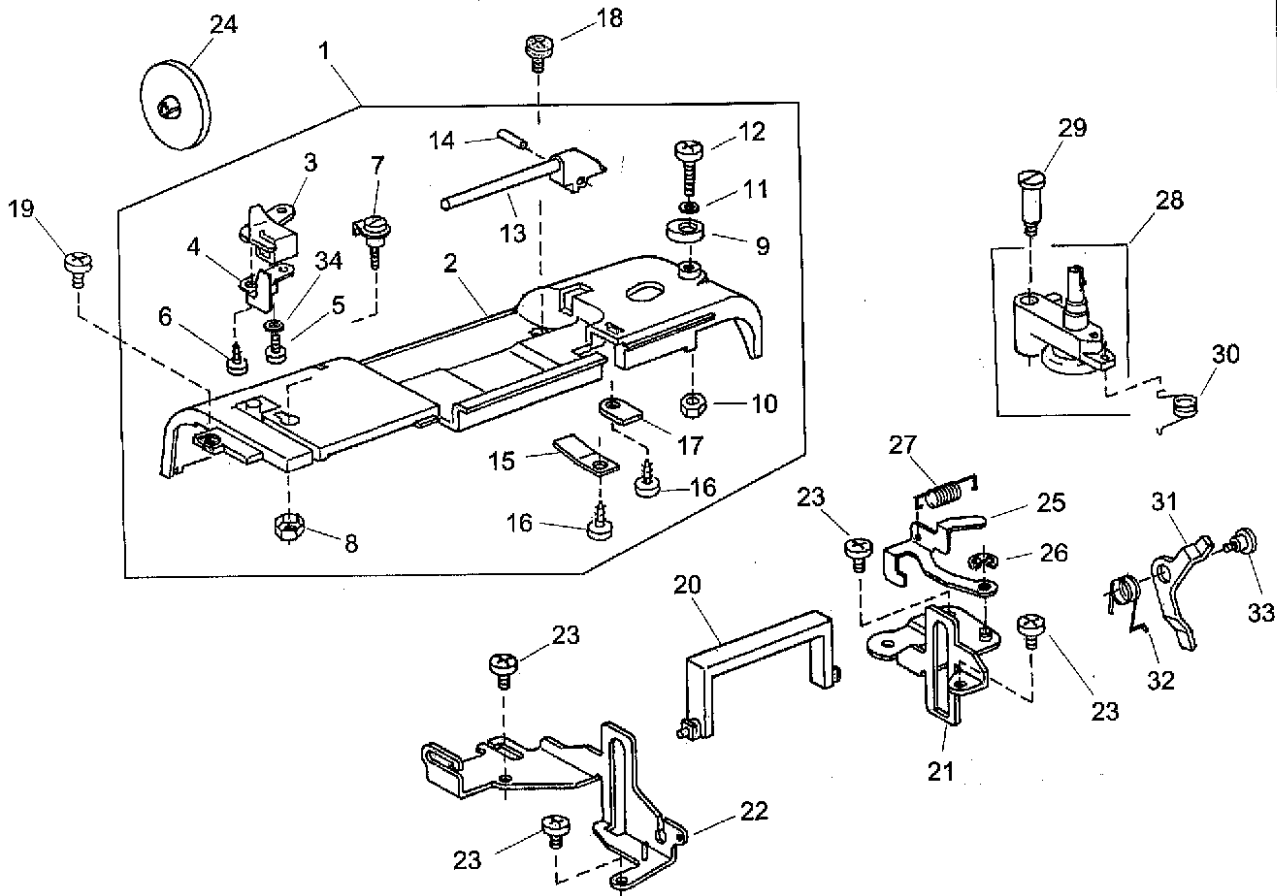


Huskystar

219-224

PARTS LIST FOR MODELS 219 & 224

13.
24.
28.

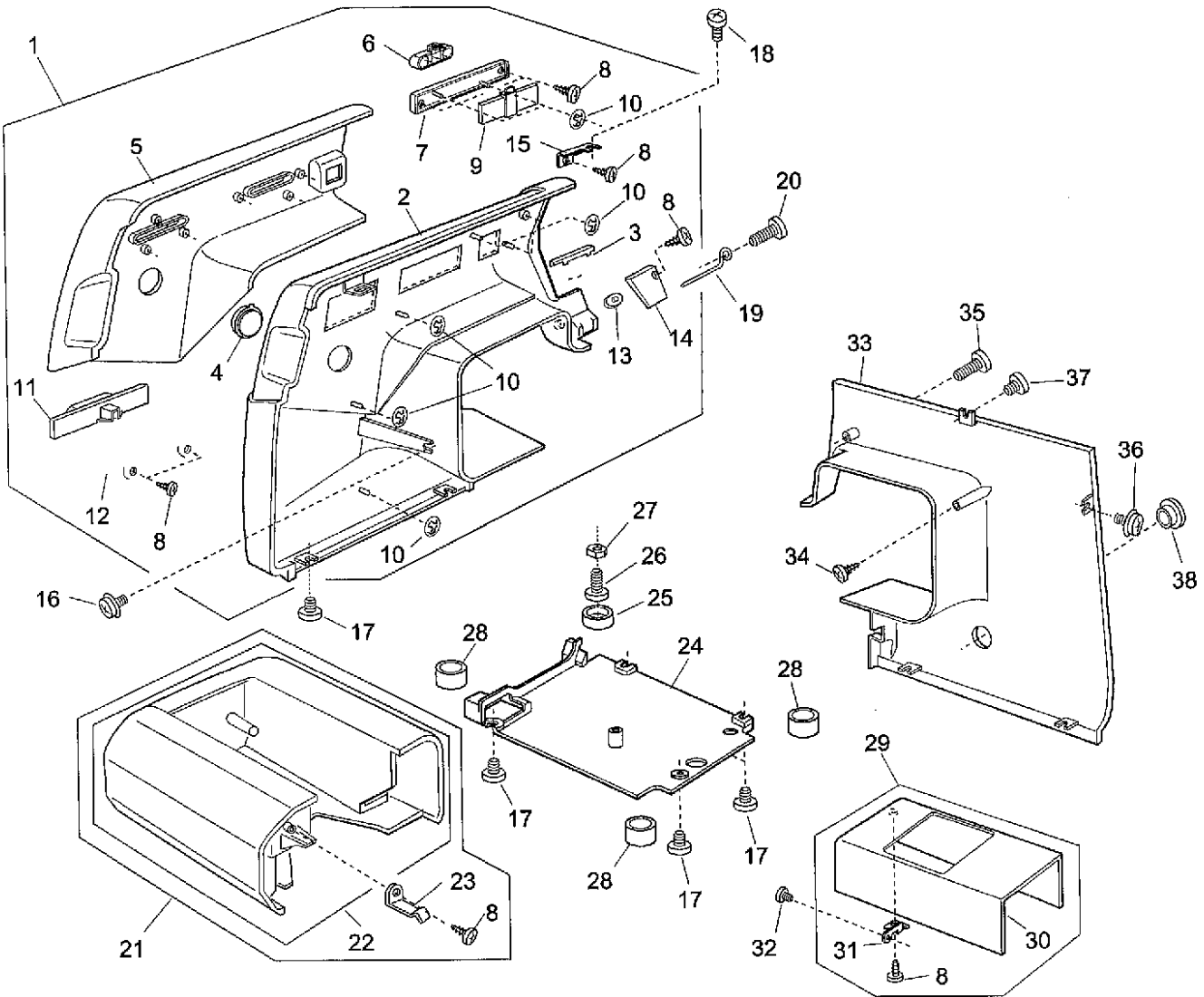


KEY

NO.	PART NO.	NAME
-----	----------	------

1	501602006	Top cover unit
2	501004002	Top cover
3	653022000	Thread guide
4	751092008	Spring
5	820374004	Set screw
6	000107905	Set screw
7	730501011	Thread guide unit
8	000160102	Nut
9	735016307	Bobbin winder stopper
10	000061205	Nut
11	000071013	Washer
12	000104119	Set screw
13	724206106	Spool pin
14	822017002	Pin
15	724207004	Spring
16	000120203	Set screw
17	653075008	Fixing plate
18	000101426	Set screw
19	810220003	Set screw
20	751100000	Handle
21	751076017	Handle arm (R)
22	751077029	Handle arm (L)
23	000081005	Set screw
24	822020503	Spool holder (L)
25	751081004	Switching arm
26	000002507	Snap ring
27	751094000	Spring
28	827506008	Bobbin winder unit
29	652093009	Hinge screw
30	823119008	Spring
31	830145005	Declutch arm
32	625215005	Spring
33	625214004	Hinge screw
34	000070805	Washer

PARTS LIST FOR MODELS 219 & 224



21.

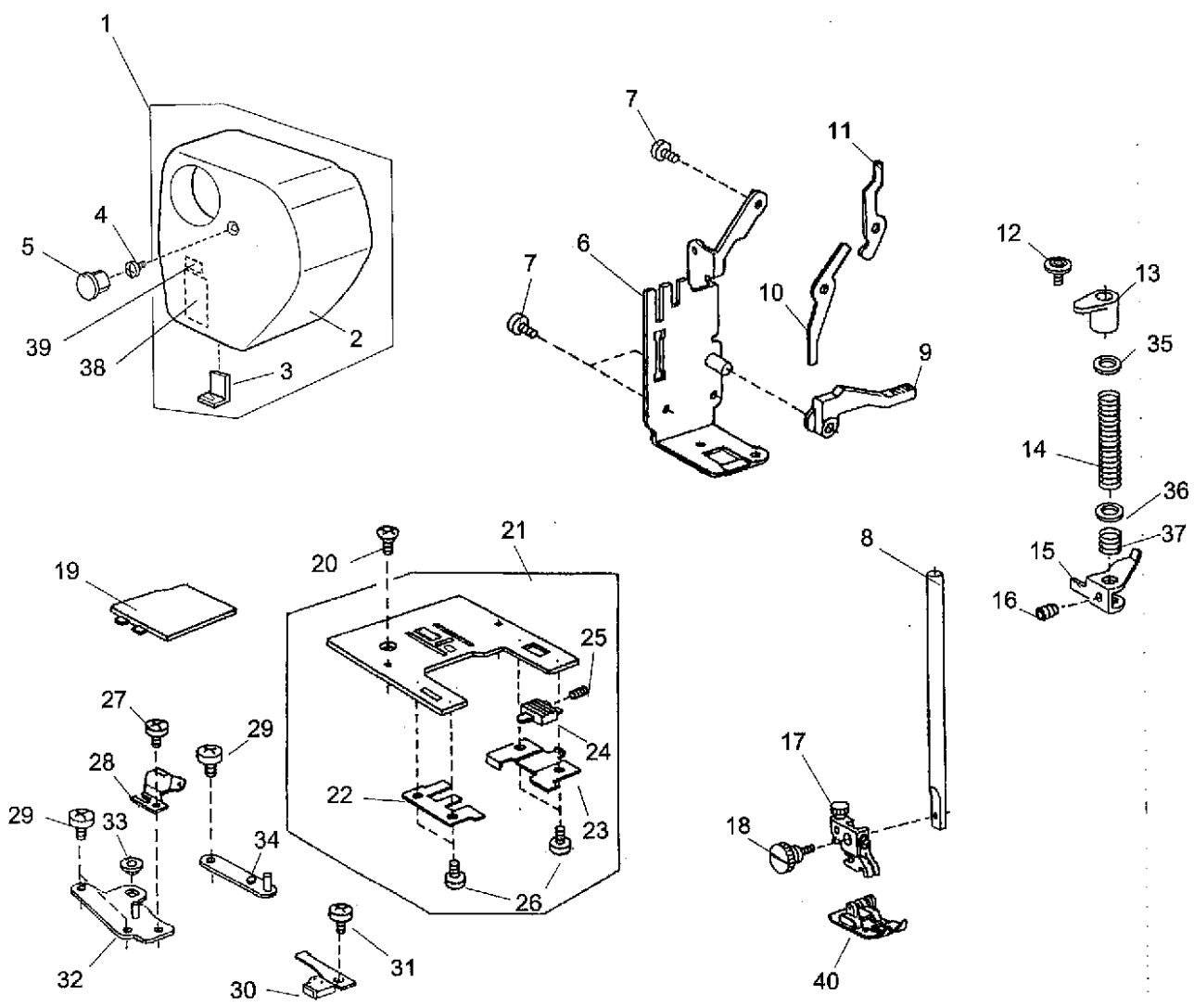
KEY

NO. PART NO. NAME

1	501608002	Front cover unit for M224
	501610007	Front cover unit for M219
2	501016007	Front cover for M224
	501016100	Front cover for M219
3	753125007	Thread guard
4	501021108	Window
5	501017204	Ornamental plate for M224
	501017307	Ornamental plate for M219
6	501018009	Knob for M224
7	659049104	Knob base
8	000120203	Set screw
9	653507107	Speed reducer unit
10	000014306	CS ring
11	501019000	Knob
12	751112005	Knob base
13	501020107	Needle up-down button for M224
14	501504007	Circuit board F
15	751087000	Front panel fixing plate
16	000115607	Set screw
17	000103509	Set screw
18	000103808	Set screw
19	753126008	Thread guide
20	000092917	Set screw
21	501601005	Extension table unit
22	501501004	Extension table
23	751096002	Spring
24	756001005	Lid
25	735002001	Cushion
26	000097808	Set screw
27	000061412	Nut
28	647009002	Cushion
29	756602301	Cover unit
30	756003306	Cover
31	756004008	Cover fixing plate
32	000101404	Set screw
33	501001205	Rear cover
34	000121905	Set screw
35	000080901	Set screw
36	000115607	Set screw
37	810220003	Set screw
38	745033002	Lid

8.
17.
19.
21,
30.

PARTS LIST FOR MODELS 219 & 224

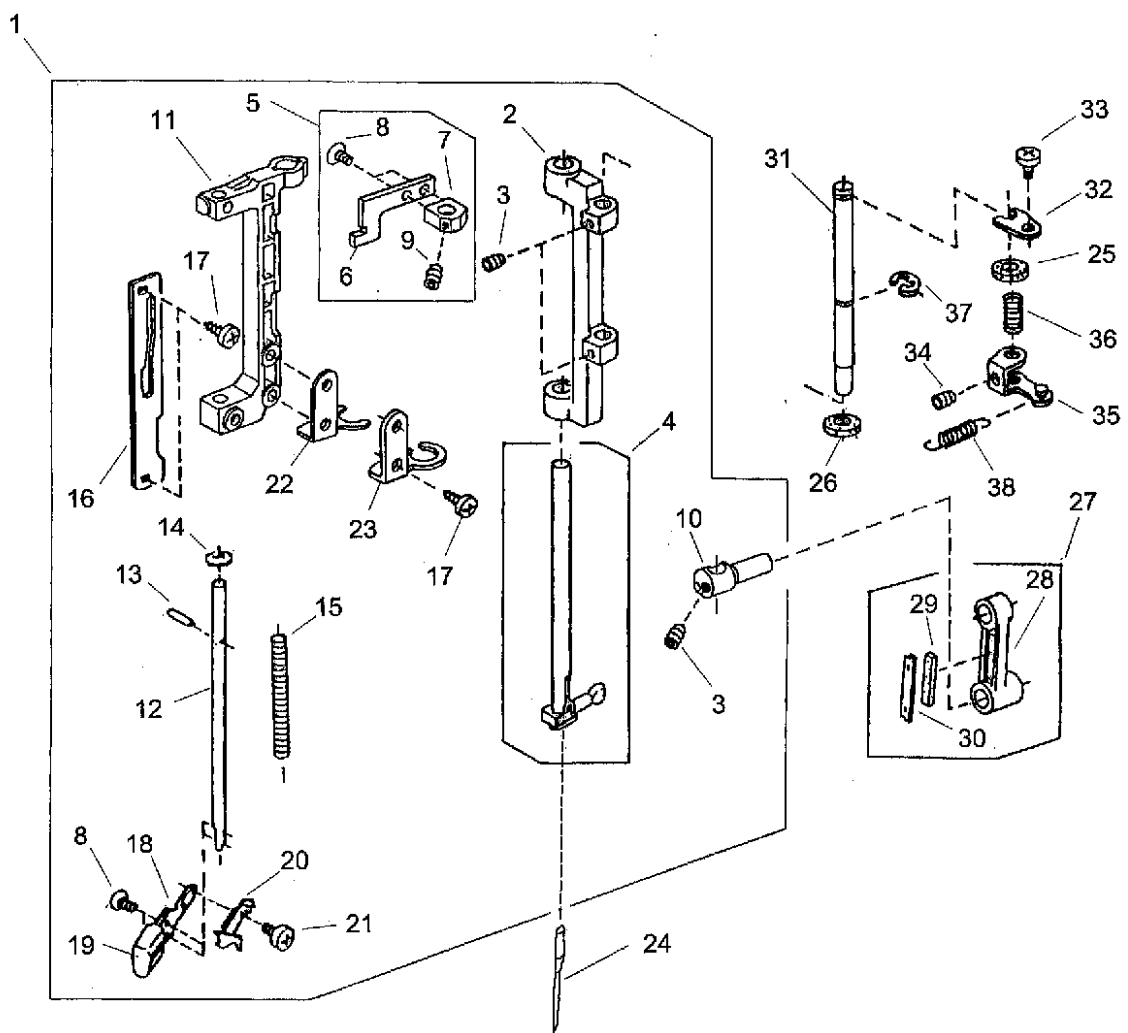


KEY

NO.	PART NO.	NAME
1	501603007	Face cover unit for M224 for 220-230V area
	501603100	Face cover unit for M224 for 110-120V area and Australia
	501603203	Face cover unit for M219 for 220-230V area
	501603306	Face cover unit for M219 for 110-120V area and Australia
2	501005003	Face cover
3	840602006	Thread cutter
4	000104108	Set screw
5	745033002	Lid
6	827020014	Supporter
7	000081005	Set screw
8	827021004	Presser bar
9	735029004	Foot lifter
10	827022005	Tension release lever (1)
11	827023006	Tension release lever (2)
12	000193001	Set screw
13	652104004	Presser bar bushing
14	826006011	Spring
15	735028003	Presser bar supporter
16	000111500	Hexagon socket screw
17	804509000	Foot holder unit
18	647112009	Thumb screw
19	750036012	Bobbin cover plate
20	820390109	Set screw
21	756604107	Needle plate
22	752005007	Supporter (L)
23	825015010	Supporter (R)
24	825016000	Button
25	825017001	Spring
26	820374004	Set screw
27	000103808	Set screw
28	822011109	Stopper
29	000066705	Set screw
30	751502006	Stopper unit
31	810220003	Set screw
32	751008007	Needle plate positioning plate (L)
33	822314002	Nut
34	751009008	Needle plate positioning plate (R)
35	652201002	Washer
36	826055004	Washer
37	826056005	Spring
38	724025006	Reflector for M219 for 220-240V area
39	100411207	Sticker for M224 for 110-120V area and Australia
	100411104	Sticker for M219 for 110-120V area and Australia
40	825510032	Zigzag foot

2.
4.
20.
27.

PARTS LIST FOR MODEL 224



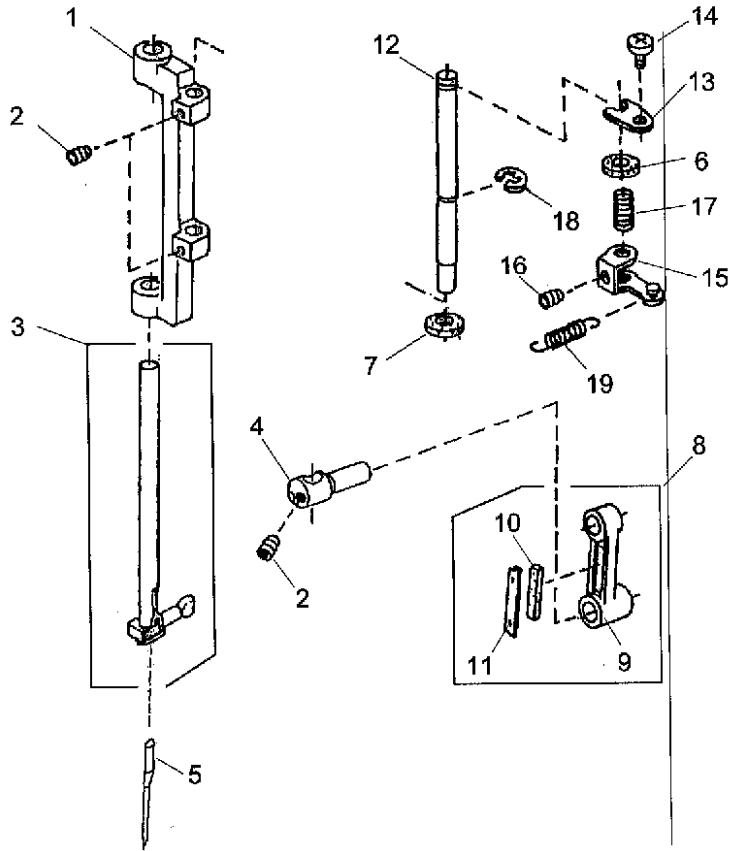
KEY

NO. PART NO. NAME

1	751606001	Needle bar supporter unit
2	751014006	Needle bar supporter
3	000111201	Hexagon socket screw
4	751630004	Needle bar unit
5	751607002	Needle threader positioning plate unit
6	734101008	Needle threader positioning plate
7	751016008	Needle threader supporter
8	000097602	Set screw
9	000111902	Hexagon socket screw
10	751047008	Needle bar supporter
11	751017009	Needle threader base
12	751018000	Needle threader shaft
13	000122906	Pin
14	734107004	Washer
15	827091005	Spring
16	653036029	Guide plate
17	000161206	Set screw
18	734096009	Lever
19	734097000	Knob
20	734515009	Threader pin
21	000105501	Set screw
22	751101001	Spring
23	751019001	Threader guide
24	102408067	Needle, size 12
25	822063003	Oil pad
26	652044005	Oil pad
27	650607006	Needle bar crank rod unit
28	650039001	Needle bar crank rod
29	650040005	Oil pad
30	650041006	Spring
31	650033005	Pin
32	650034006	Fixing plate
33	000101404	Set screw
34	000111108	Hexagon socket screw
35	650035007	Rocking arm
36	650036008	Spring
37	000001609	Snap ring
38	686085003	Spring

PARTS LIST FOR MODEL 219

1.
3.
8.



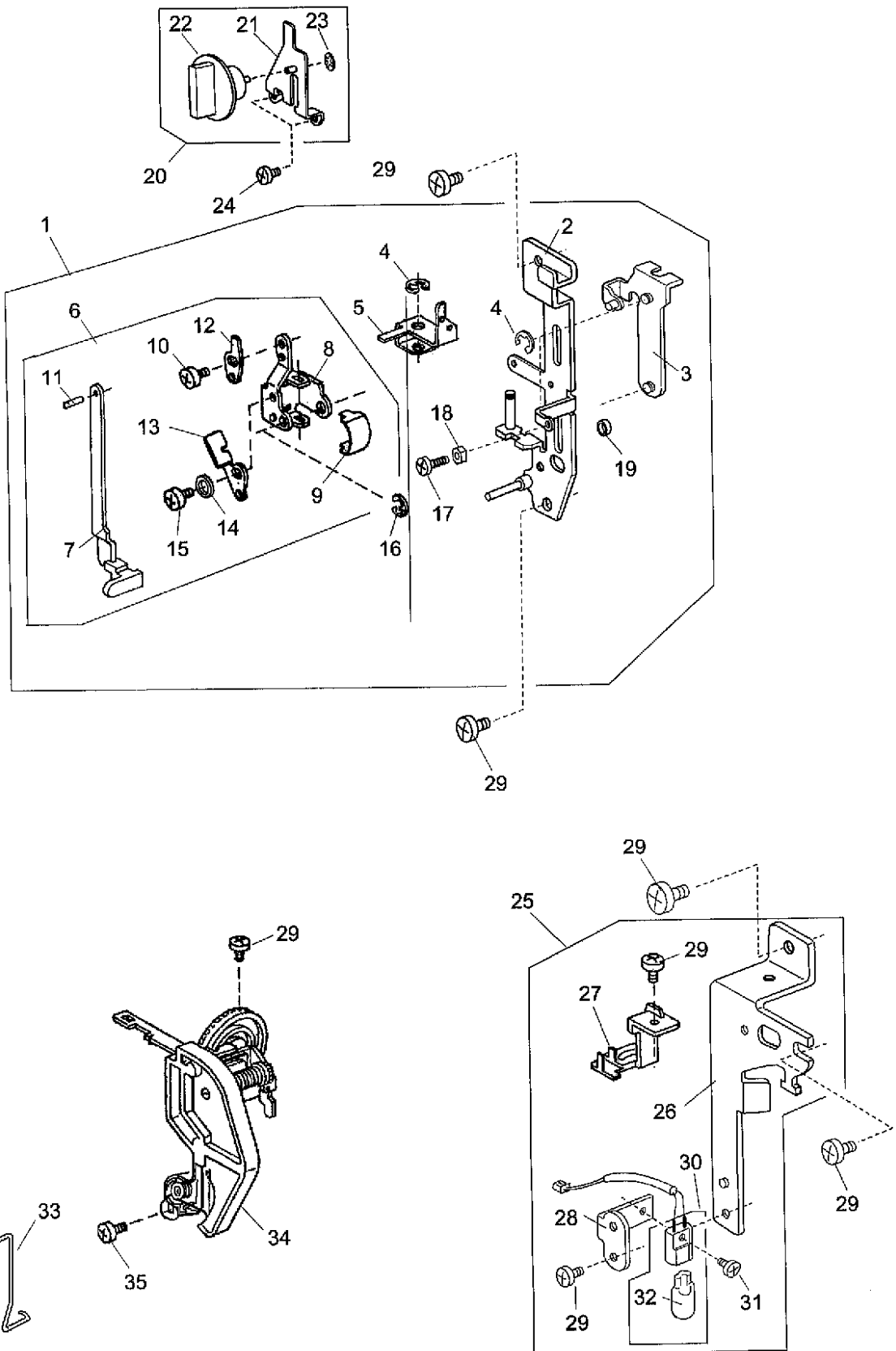
KEY

NO. PART NO. NAME

1	650038000	Needle bar supporter
2	000111201	Hexagon socket screw
3	751630004	Needle bar unit
4	650100004	Needle bar supporter
5	4113104-01	Needle
6	822063003	Oil pad
7	652044005	Oil pad
8	650607006	Needle bar crank rod unit
9	650039001	Needle bar crank rod
10	650040005	Oil pad
11	650041006	Spring
12	650033005	Pin
13	650034006	Fixing plate
14	000101404	Set screw
15	650035007	Rocking arm
16	000111108	Hexagon socket screw
17	650036008	Spring
18	000001609	Snap ring
19	650037009	Spring

PARTS LIST FOR MODEL 224

32.
33.

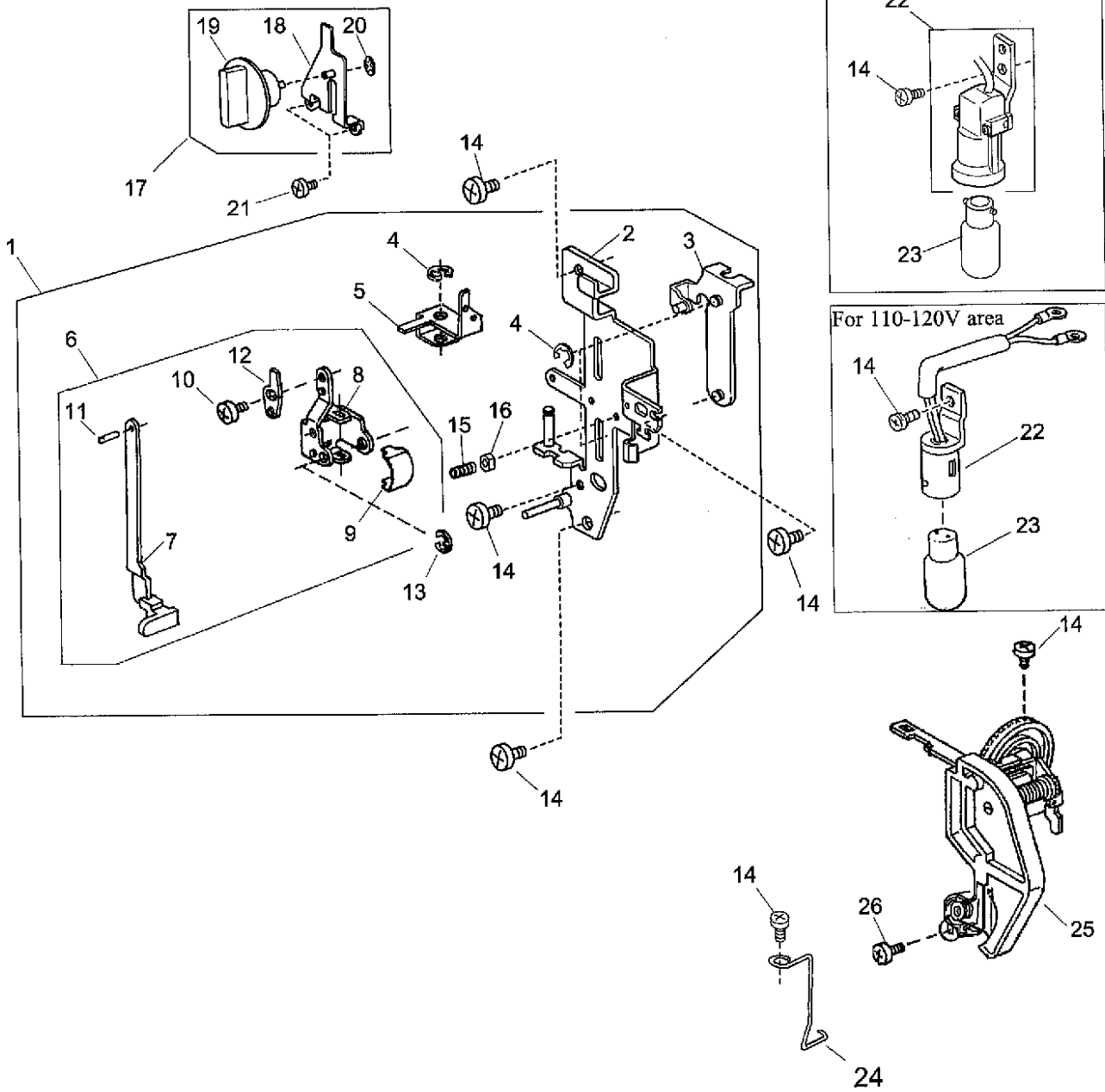


KEY**NO. PART NO. NAME**

1	501604008	Supporter unit
2	501006004	Supporter
3	501009007	Link
4	000002105	Snap ring
5	751022007	Crank
6	751657100	Buttonhole lever unit
7	751610008	Buttonhole lever
8	753026100	Supporter
9	753027008	Spring
10	652203004	Set screw
11	000023009	Pin
12	753029000	Positioning plate
13	751228005	Switching arm
14	000071013	Washer
15	000101105	Set screw
16	000001207	Snap ring
17	000097200	Set screw
18	000160102	Nut
19	685042005	Stopper
20	501605009	Foot pressure setting dial
21	501008006	Dial base
22	501010001	Dial
23	000014007	CS ring
24	000106203	Set screw
25	501606000	Fixing plate unit
26	751013016	Fixing plate
27	751020016	Guide plate
28	501024008	Lamp socket supporter
29	000101404	Set screw
30	501502005	Lamp socket
31	000102900	Set screw
32	000026002	Light bulb
33	652137006	Thread guide
34	501503006	Tension unit

PARTS LIST FOR MODEL 219 ONLY

22.

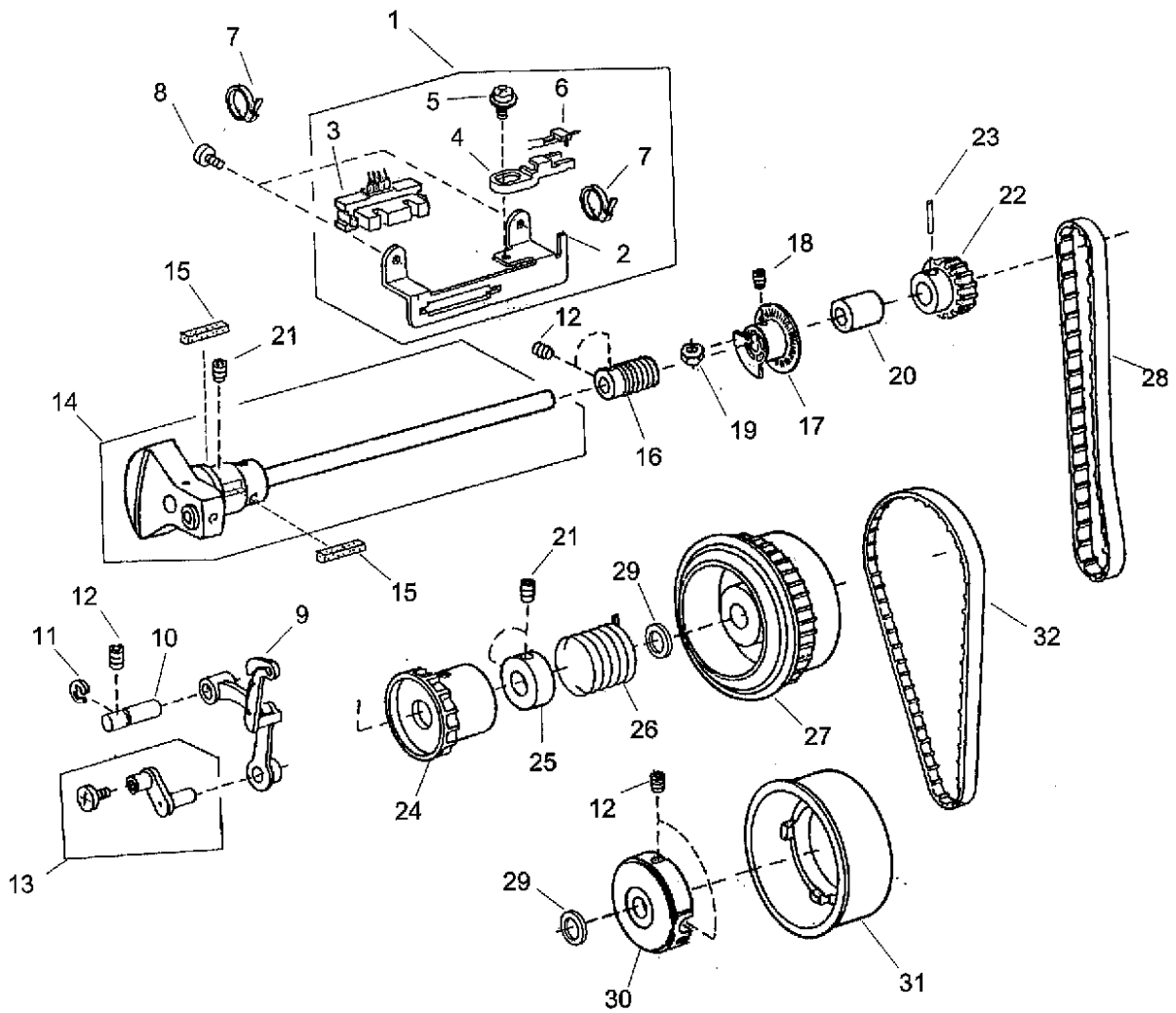


KEY

NO. PART NO. NAME

1	501609003	Supporter unit
2	501023007	Supporter
3	501009007	Link
4	000002105	Snap ring
5	751022007	Crank
6	751657007	Buttonhole lever unit
7	751610008	Buttonhole lever
8	753026100	Supporter
9	753027008	Spring
10	652203004	Set screw
11	000023009	Pin
12	753029000	Positioning plate
13	000001207	Snap ring
14	000104304	Set screw
15	000112109	Hexagon socket screw
16	000160102	Nut
17	501605009	Foot pressure setting dial
18	501008006	Dial base
19	501010001	Dial
20	000014007	CS ring
21	000106203	Set screw
22	740618002	Lamp socket unit for 220-240V
	647513015	Lamp socket unit for 110-120V area
23	000009009	Light bulb for 220 ñ 240V area
	000009803	Light bulb for 110-120V area
24	652137006	Thread guide
25	501505008	Tension unit
26	000093309	Set screw

PARTS LIST FOR MODELS 219 & 224



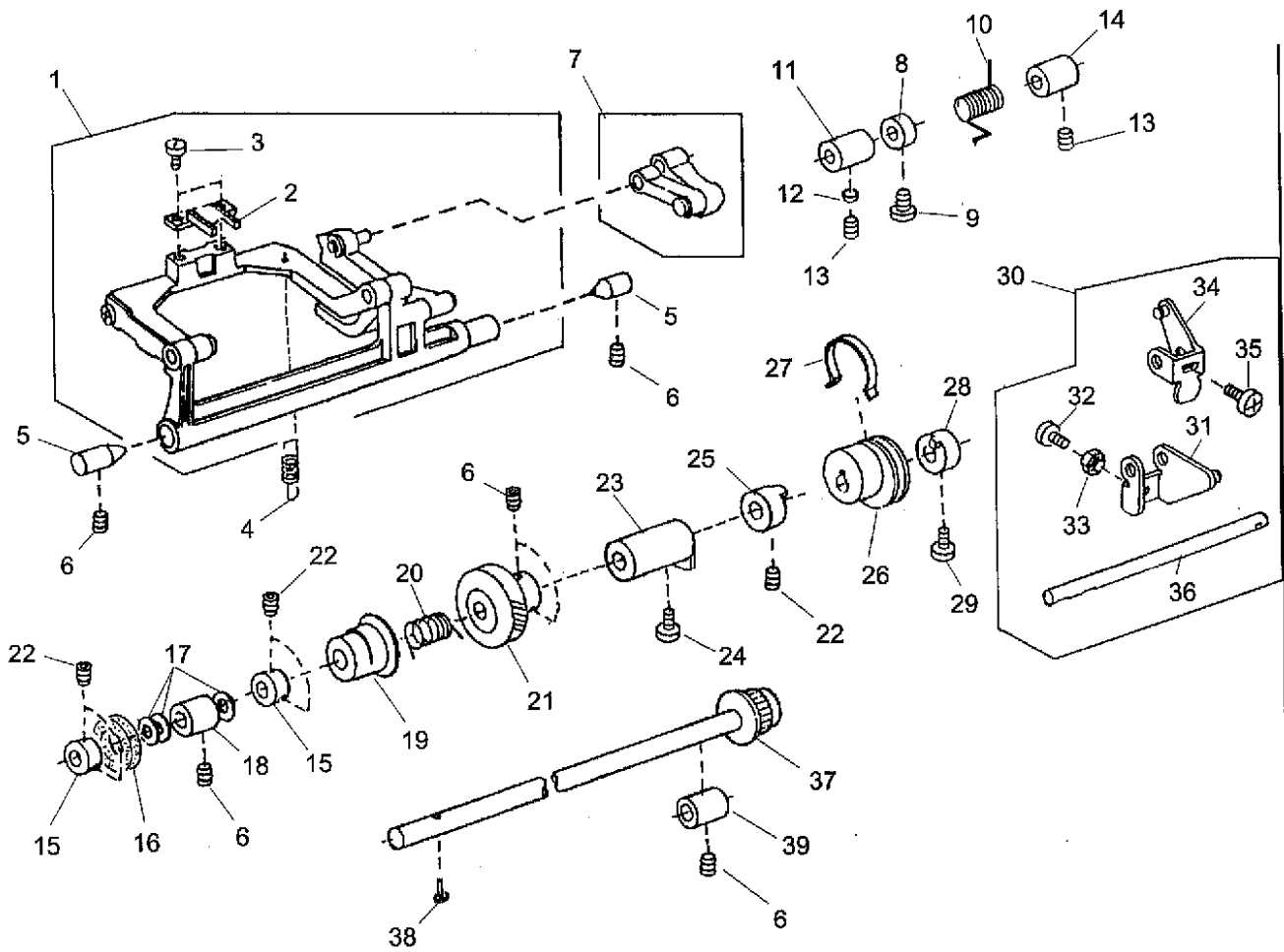
3.
28.
32.
9.
6.
17-(2)

KEY

NO. PART NO. NAME

1	751626007	Upper shaft sensor complete unit for M224
2	751069006	Sensor fixing plate for M224
3	735514104	Upper shaft sensor unit for M224
4	827100008	Switch fixing plate for M224
5	000114709	Set screw for M224
6	753505304	Bobbin winder switch for M224
7	000053008	Binder for M224
8	000081005	Set screw
9	820511108	Thread take up lever unit
10	650062003	Pin
11	000002806	Snap ring
12	000111201	Hexagon socket screw
13	652512009	Needle bar crank pin
14	827518106	Upper shaft unit for M224
	751520000	Upper shaft unit for M219
15	731384008	Oil pad
16	650060001	Worm gear
17	753133101	Shield plate for M224
18	000111108	Hexagon socket screw
19	000062402	Nut for M224
20	673062004	Bushing
21	000111304	Hexagon socket screw
22	756017004	Upper shaft timing gear
23	000020501	Pin
24	653055002	Ring
25	653056003	Ring
26	653057004	Spring
27	653058005	Belt wheel
28	650071005	Timing belt
29	000039307	Washer
30	830286009	Hand wheel base
31	501012003	Hand wheel
32	653139012	Timing belt

PARTS LIST FOR MODELS 219 & 224



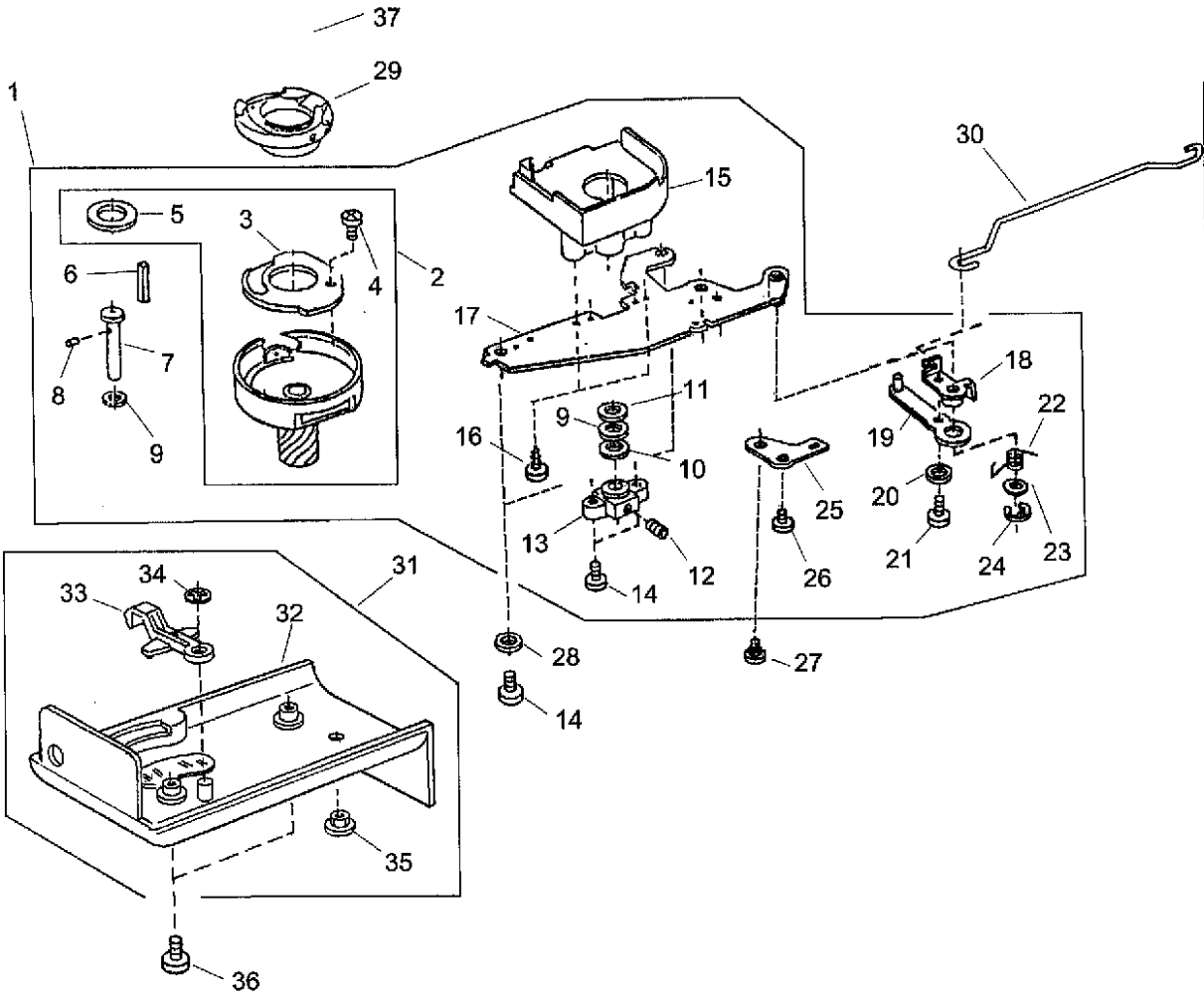
KEY

NO. PART NO. NAME

1	751640100	Feed rock shaft unit
2	840005003	Feed dog
3	000104005	Set screw
4	650085002	Spring
5	738055008	Pin
6	000111304	Hexagon socket screw
7	650612004	Feed regulator unit
8	820387000	Ring
9	000081005	Set screw
10	652050004	Spring
11	625144002	Bushing
12	650175000	Intermediate metal piece
13	000111108	Hexagon socket screw
14	650092002	Bushing
15	820166001	Ring
16	735143005	Oil pad
17	000038502	Washer
18	650078002	Bushing
19	753183025	Feed lifting cam
20	686035008	Spring
21	650076000	Lower shaft gear
22	000111201	Hexagon socket screw
23	751093009	Sleeve
24	000069708	Set screw
25	625118007	Ring
26	625120105	Feed cam
27	627207000	Spring
28	650074008	Ring
29	000121606	Set screw
30	751613001	Feed regulating arm unit
31	751098004	Feed regulating arm
32	000070001	Set screw
33	000160102	Nut
34	653078001	Crank
35	000100403	Set screw
36	751024009	Pin
37	751612000	Lower shaft unit
38	820161006	Pin
39	650079003	Bushing

PARTS LIST FOR MODELS 219 & 224

2.
29
7.
9.



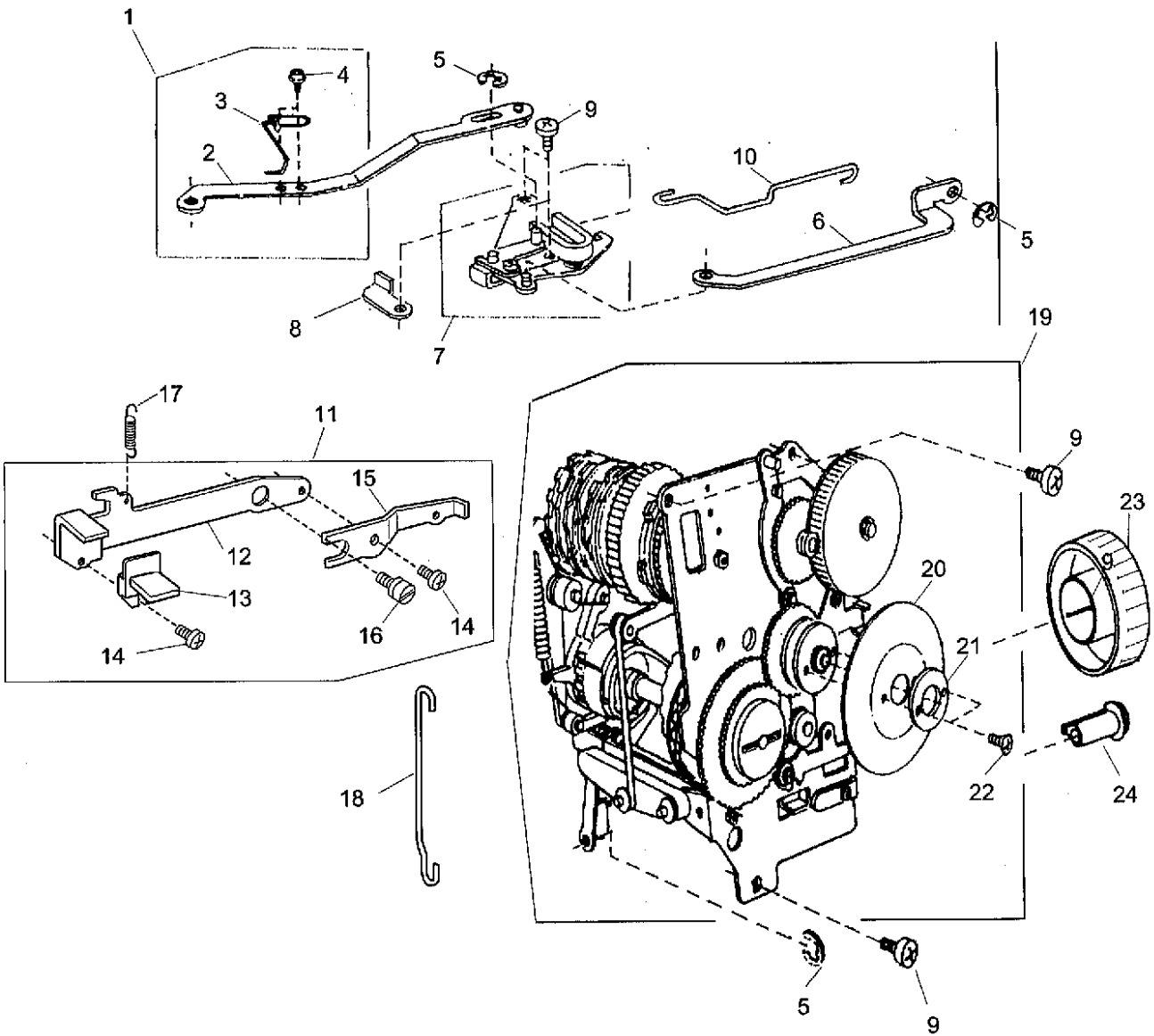
KEY

NO. PART NO. NAME

1	758607003	Rotary hook complete unit
2	652623004	Rotary hook unit
3	627191000	Thread guard
4	820374004	Set screw
5	627190010	Magnet
6	820123006	Pin
7	820124007	Oil string
8	820125008	Oil string
9	000038409	Washer
10	625102008	Washer
11	627192001	Washer
12	000111304	Hexagon socket screw
13	650094004	Hook base
14	000081005	Set screw
15	827040009	Hook cover
16	000107204	Set screw
17	756022002	Hook fixing plate
18	650097007	Crank
19	650098008	Crank
20	000070218	Washer
21	000103808	Set screw
22	650099009	Spring
23	650023002	Washer
24	000002105	Snap ring
25	756023003	Positioning plate
26	000101404	Set screw
27	650172007	Hinge screw
28	000070506	Washer
29	627569209	Bobbin holder for M224
	627569106	Bobbin holder for M219
30	751025000	Rod
31	756601104	Bed cover unit
32	756002109	Bed cover
33	753005000	Drop feed lever
34	000013903	CS ring
35	653006101	Lid
36	000101703	Set screw
37	102261000	Bobbin

PARTS LIST FOR MODELS 219 & 224

19.
23



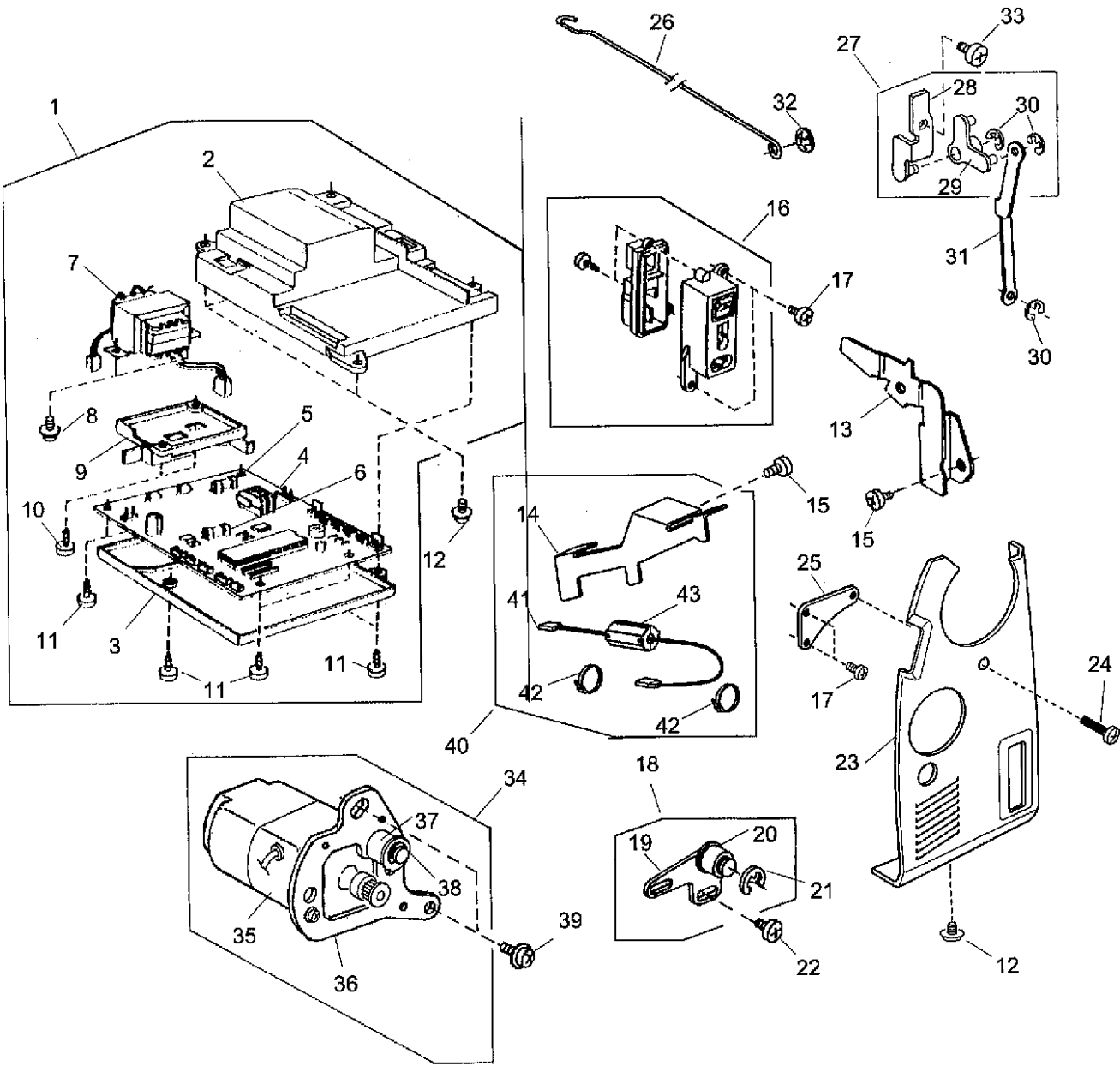
KEY

NO.	PART NO.	NAME
-----	----------	------

1	654642005	Zigzag rod unit for M224
2	753186006	Zigzag rod for M224
	650156005	Zigzag rod for M219
3	654129001	Lever for M224
4	000115803	Set screw for M224
5	000002105	Snap ring
6	751059003	Zigzag rod
7	686618001	Rocking arm unit
8	688003003	Stopper
9	000081005	Set screw
10	751058002	Zigzag rod
11	501607001	Reverse feed lever unit
12	501014005	Reverse feed arm
13	501015006	Reverse feed lever
14	000101105	Set screw
15	653120009	Reverse feed arm
16	751270002	Pin
17	751083006	Spring
18	751095001	Rod
19	501612009	Cam block unit for M224
	501614001	Cam block unit for M219
20	751045132	Stitch indicating plate for M224
	751045143	Stitch indicating plate for M219
21	751099005	Fixing plate
22	000151801	Set screw
23	501013004	Stitch selecting dial
24	650162509	Stretch stitch balancing dial

7.
6.
5.
4-
34.
16.

PARTS LIST FOR MODEL 224

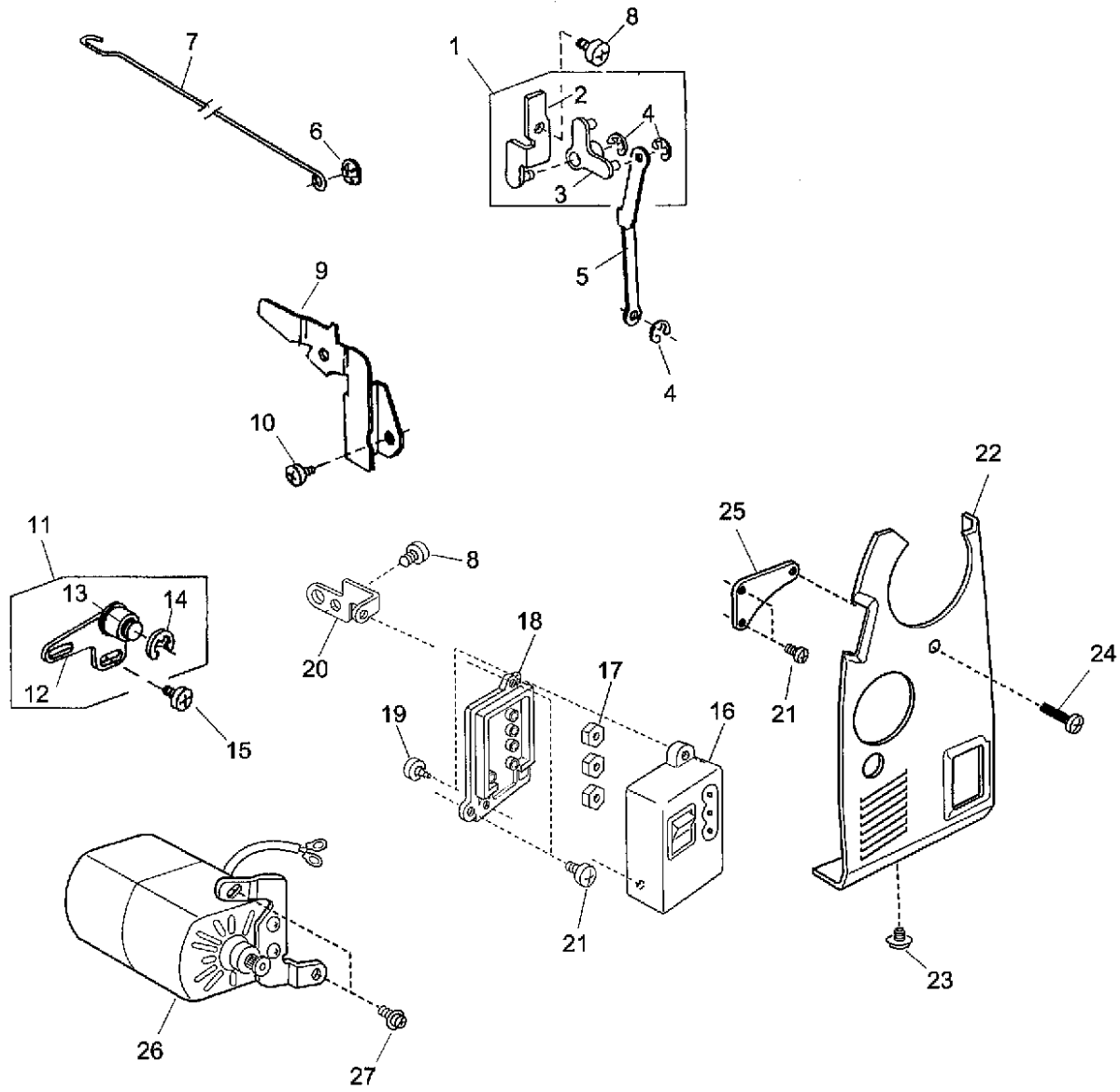


KEY

NO. PART NO. NAME

NO.	PART NO.	NAME
1	751646209	Circuit board B complete unit for 220-240V area
	751655108	Circuit board B complete unit for 110-120V area
2	751071104	Board cover
3	751072105	Board supporter
4	501506009	Circuit board B unit for 220-240V area
	501507000	Circuit board B unit for 110-120V area
5	000143383	Fuse, AC-250V-1A
	000117805	Fuse, AC-125V-2A for 110-120V area
6	000142795	Fuse, AC-250V-0.25A
	000142751	Fuse, AC-125V-0.25A for 110-120V area
7	751517004	Transformer for 220-240V
	751227004	Transformer for 110-120V
8	000149002	Set screw
9	751116009	Cover for 220-240V area
10	000107307	Set screw
11	000161206	Set screw
12	000115607	Set screw
13	751117000	Set screw
14	751118001	Cord guide
15	000103705	Set screw
16	739505207	Machine socket for 220-240V area
	653520302	Machine socket for 110-120V area
17	000081005	Set screw
18	753619003	Idler unit
19	753119008	Idler base
20	625217100	Idler
21	000002806	Snap ring
22	810220003	Set screw
23	501022006	Belt cover
24	000080901	Set screw
25	827085017	Belt cover fixing plate
26	751068016	Link
27	751645013	Crank unit
28	751066014	Crank arm
29	751114018	Crank
30	000002105	Snap ring
31	751115008	Link
32	000014306	CS ring
33	000101404	Set screw
34	751673009	Motor with mounting plate for 220-240V area
	751674000	Motor with mounting plate for 110-120V area
35	023150203	Motor for 220-240V area
	013990202	Motor for 110-120V area
36	751223000	Motor mounting plate
37	625217100	Idler
38	000002806	Snap ring
39	000115504	Set screw
40	501615002	Cord guide unit
41	501508001	Cord unit
42	000053101	Tie band
43	000559700	Ferrite filter

PARTS LIST FOR MODEL 219 ONLY



26.
16.
18.

KEY

NO. PART NO. NAME

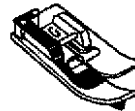
1	751645013	Crank unit
2	751066014	Crank arm
3	751114018	Crank
4	000002105	Snap ring
5	751115008	Link
6	000014306	Snap ring
7	751068016	Link
8	000101404	Set screw
9	751117000	Cord guide
10	000103705	Set screw
11	753619003	Idler unit
12	753119008	Idler base
13	625217100	Idler
14	000002806	Snap ring
15	810220003	Set screw
16	739503102	Machine socket for 220-240V area
	739505207	Machine socket for 110-120V area
17	000060802	Nut
18	739037007	Lid
19	000107802	Set screw
20	751137006	Fixing plate
21	000081005	Set screw
22	501025009	Belt cover
23	000115607	Set screw
24	000080901	Set screw
25	827085017	Belt cover fixing plate
26	752671206	Motor for 220-230V area
	752671103	Motor for 240V area
	756619002	Motor for 110-120V area
27	000115504	Set screw



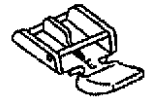
1



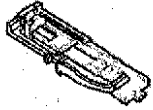
2



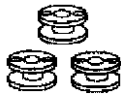
3



4



5



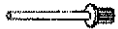
6



7



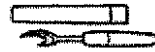
8



9



10



11



12



13



14



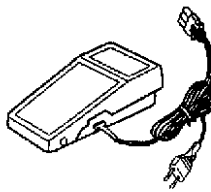
15



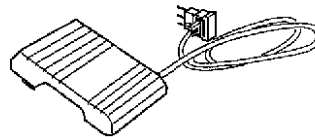
16



17



18



19



20

KEY

NO.	PART NO.	NAME
-----	----------	------

- | | | |
|-----|--------------|--|
| 1. | 820801016 | Buttonhole foot (B) |
| 2. | 822801001 | Overlock foot (C) |
| 3. | 822817015 | Blind hemming foot (G) |
| 4. | 829801002 | Zipper foot (E) |
| 5. | 753801004 | Buttonhole foot (R) |
| 6. | 102261000 | Bobbin |
| 7. | 4113104-01 | Set of needles |
| 8. | 822019509 | Spool holder |
| 9. | 625031500 | Spool pin |
| 10. | 102403109 | Threading felt |
| 11. | 4015399-01 | Buttonhole knife |
| 12. | 802422002 | Quilting guide |
| 13. | 4123815-01 | Screwdriver |
| 14. | 4015555-01 | Brush |
| 15. | 412 68 03-01 | Instruction book - Swe |
| | 412 68 03-06 | Instruction book - Dan |
| | 412 68 03-11 | Instruction book - Fin |
| | 412 68 03-21 | Instruction book -Nor |
| | 412 68 03-26 | Instruction book - Eng |
| | 412 68 03-31 | Instruction book - Fra |
| | 412 68 03-36 | Instruction book - Hol |
| | 412 68 03-41 | Instruction book - Ita |
| | 412 68 03-46 | Instruction book - Spa |
| | 412 68 03-51 | Instruction book - Ger |
| | 412 68 03-56 | Instruction book - Rus |
| 16. | 741811000 | Dust cover |
| 17. | C-2037-1 | Foot control for M219 for 220-230V area |
| | C-2042-1 | Foot control for M219 for Great Britain, Hong Kong and Singapore |
| | C-2014 | Foot control for M219 for Australia and New Zealand |
| 18. | C-1028 | Foot control for 110-120V area |
| 19. | 033071222 | Foot control for M224 for world wide |
| 20. | 830335004 | Power supply cord for M224 only for 220-230V area |
| | 830314018 | Power supply cord for M224 only for Australia and New Zealand |
| | 653524007 | Power supply cord for M224 only for 110-120V area |
| | 213615400 | Power supply cord for controller 033 071 222 |
| | P-0123A | Cord for controller C-2014 Australia |
| | P-0191 | Cord for controller C-2042-1 UK |
| | P-0195 | Cord for controller C-2037-1 Europe |
| | P-0281 | Cord for controller C-1028 USA |