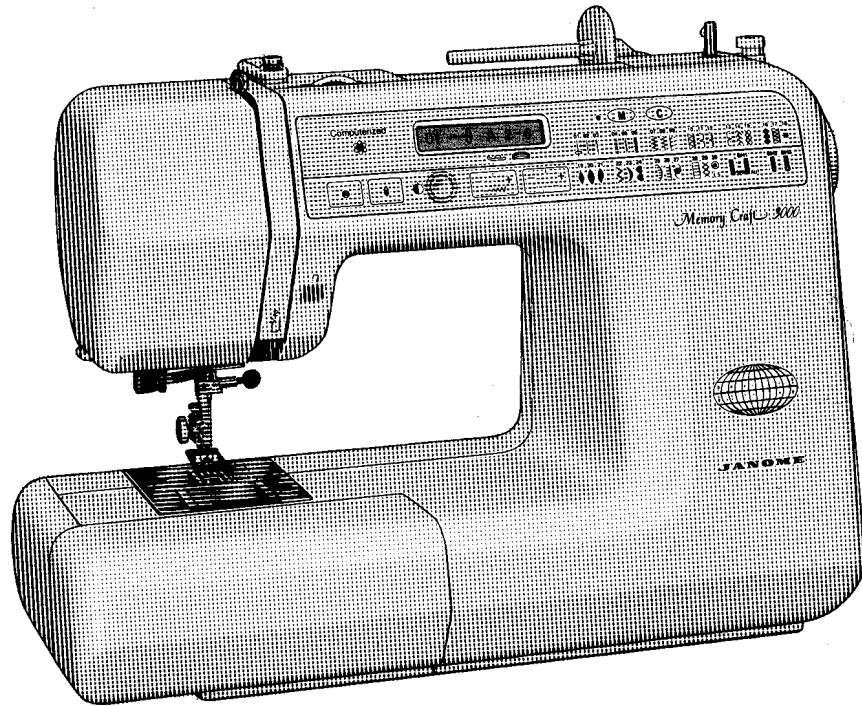


# ◆◆◆◆◆◆◆◆◆◆ SERVICE MANUAL ◆◆◆◆◆◆◆◆◆◆



*Memory Craft 3000*

# MODEL MC 3000 SERVICE MANUAL

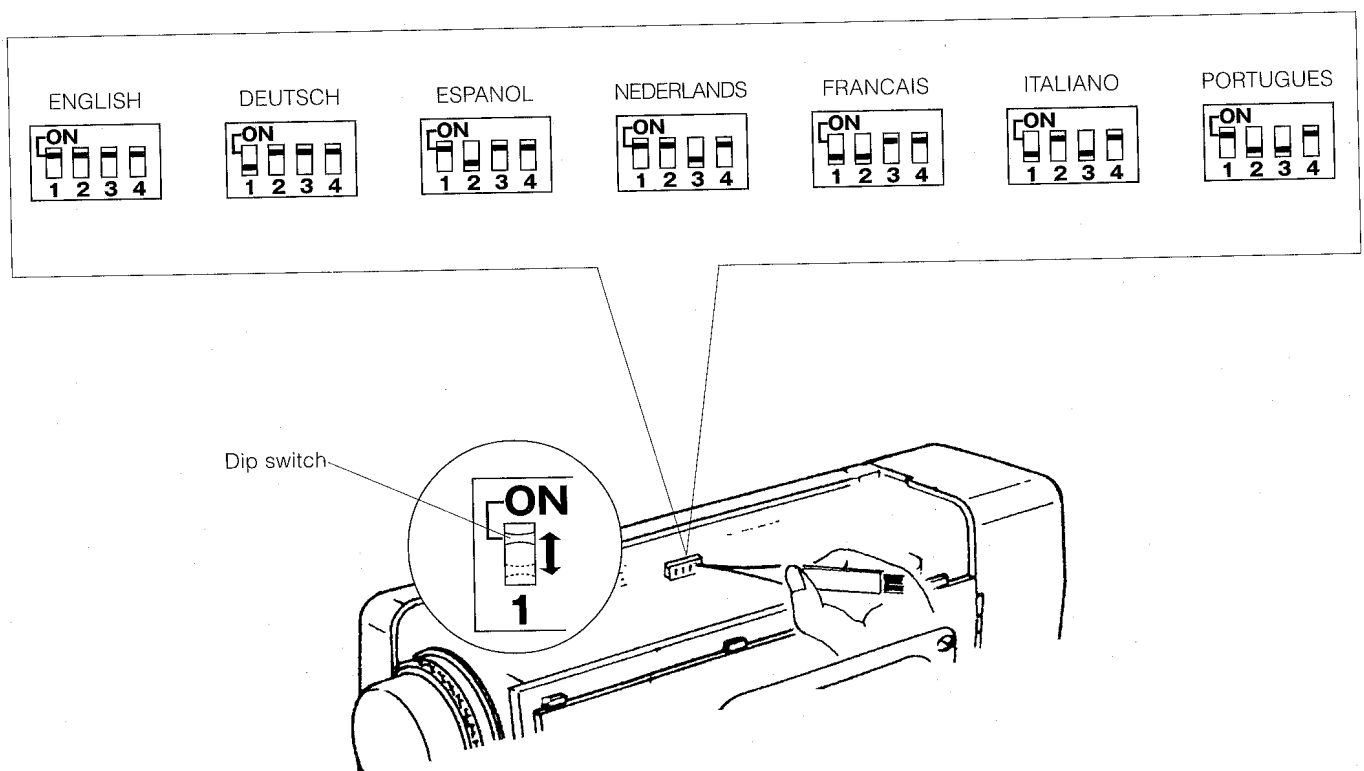
## CONTENTS

1.	Top cover & face plate attaching and removing .....	1
2.	Base & bed cover attaching and removing .....	2
3.	Belt cover attaching and removing .....	3
4.	Front panel attaching and removing .....	4
5.	To adjust the presser bar height .....	5
6.	To adjust the needle drop .....	6
7.	To adjust the needle bar height.....	7
8.	To adjust hook timing .....	8
9.	To adjust the clearance between the needle and the hook.....	9
10.	To adjust the backlash of hook drive gear and lower shaft gear .....	10
11.	To adjust the feed dog height.....	11
12.	To adjust the upper shaft shield plate position .....	12
13.	To adjust the upper thread tension .....	13
14.	To adjust the stretch feed balance .....	14
15.	To replace and adjust the threader plate .....	15
16.	To adjust the buttonhole lever .....	16
17.	Board A attaching and removing .....	17
18.	Board C attaching and removing .....	18
19.	Board C and fuse attaching and removing .....	19
20.	DC motor unit attaching and removing .....	20
21.	Transformer unit attaching and removing .....	21
22.	Machine socket unit attaching and removing .....	22
23.	Buttonhole lever attaching and removing.....	23
24.	Board K attaching and removing .....	24
25.	Buttonhole sensor attaching and removing .....	25
26.	Wiring diagram.....	26
27.	Diagnosis chart (NO. 1) .....	27
28.	Diagnosis chart (NO. 2) .....	28
29.	Multiple language function .....	29
30.	Parts list.....	30 - 37

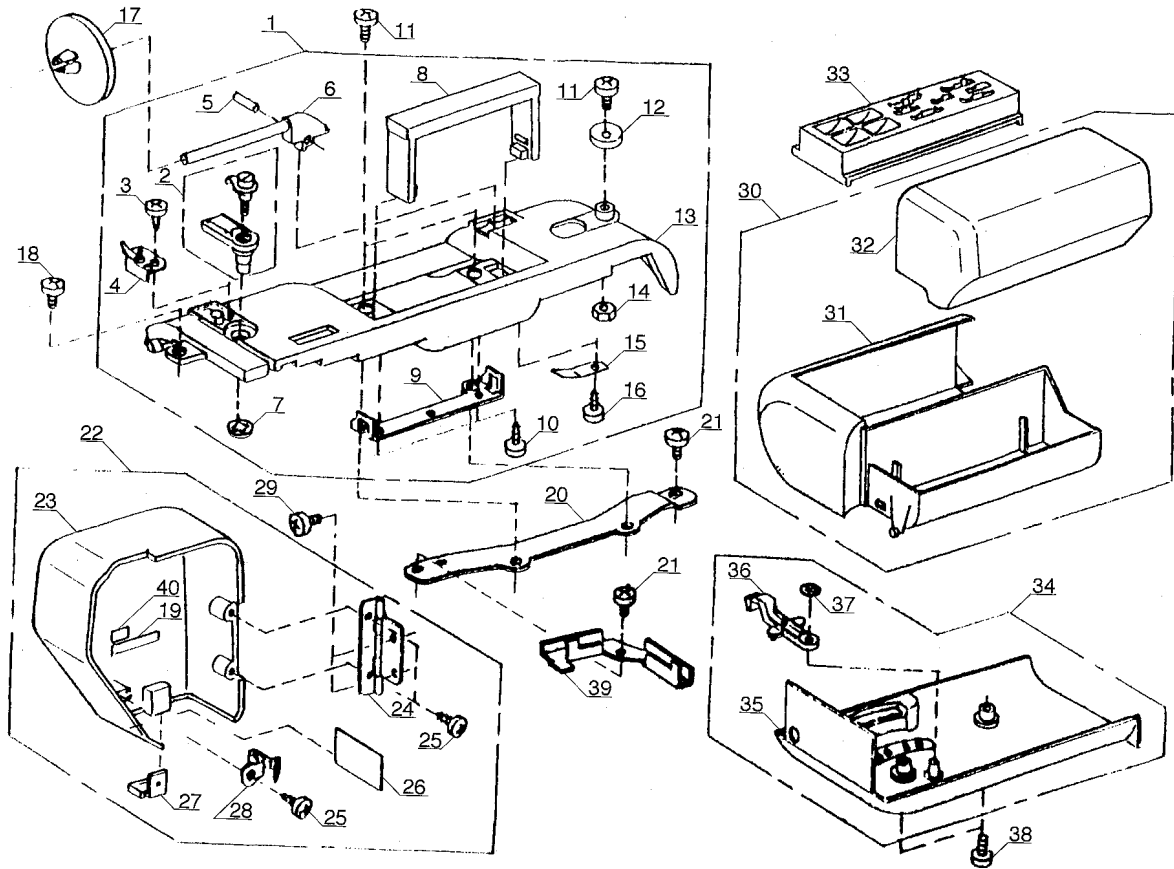
## Multiple language function

The display language can be changed if necessary , as illustrated bellow.

1. Remove the top cover unit.
2. Move the dip switches with the tail of the lint brush (example).
3. Replace the top cover unit after adjustment.

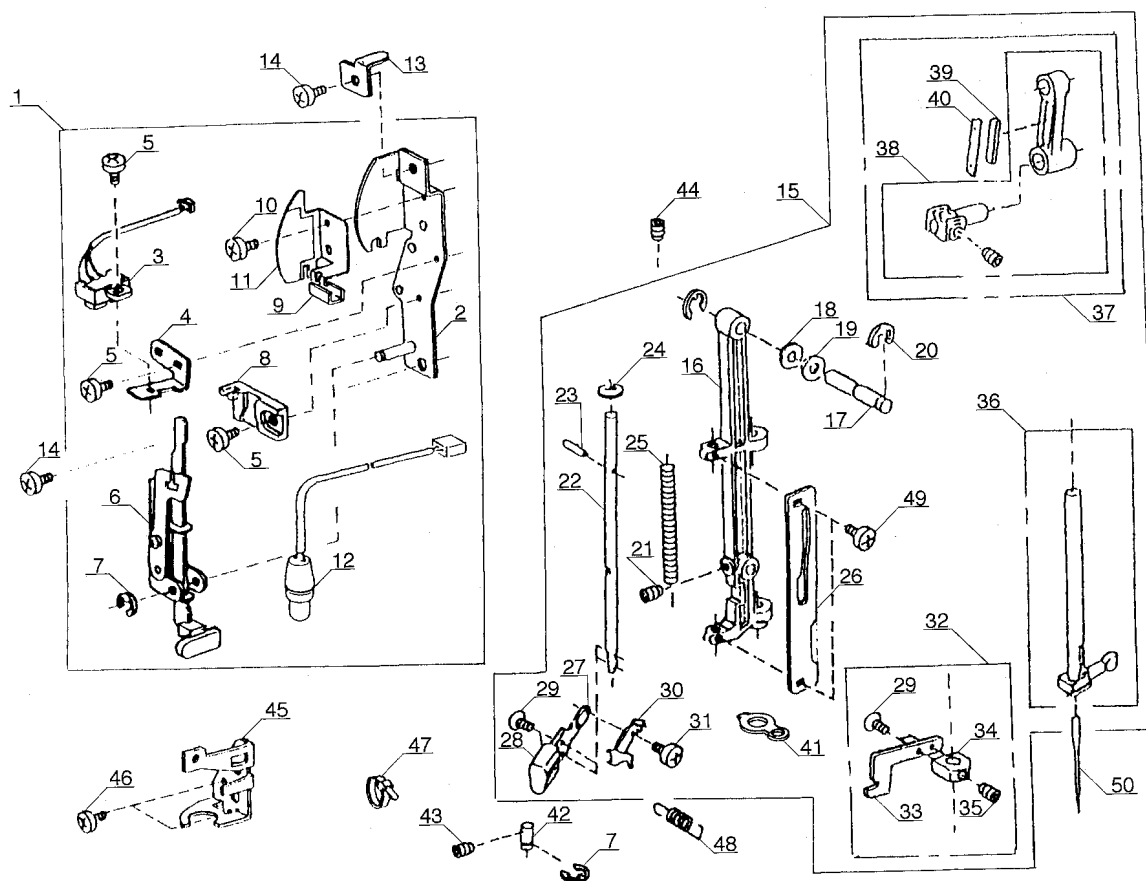


# PARTS LIST



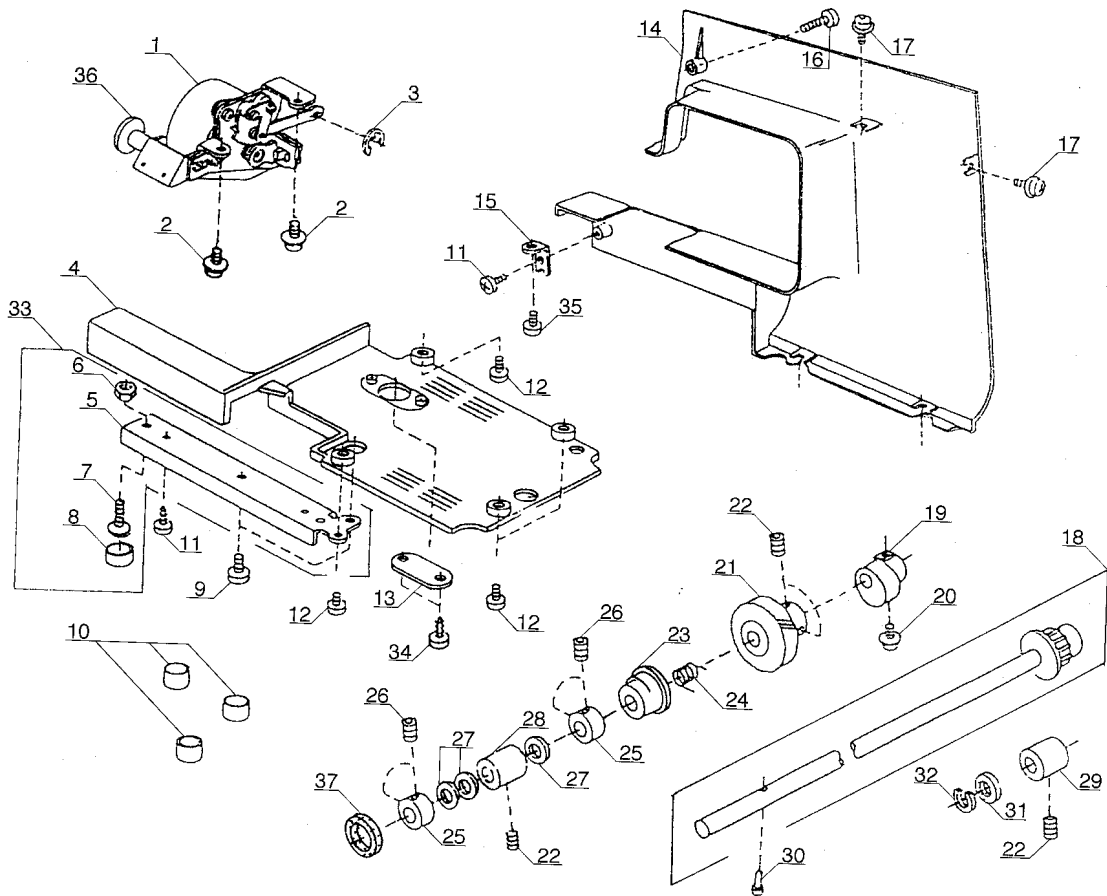
NO	PARTS NO.	DESCRIPTION	NO	PARTS NO.	DESCRIPTION
1	827606010	Top cover unit	30	840501004	Extension table unit
2	650503506	Thread guide unit	31	827007015	Extension table
3	000162001	Screw 2.6 x 5	32	840001009	Extension cover
4	827503005	Top cover thread guide	33	827009006	Foot storage compartment
5	822017002	Pin	34	827602005	Bed cover unit
6	724206106	Spool pin	35	827004001	Bed cover
7	000014409	Snap ring CS-8	36	753005000	Drop lever
8	827014004	Handle	37	000013903	Snap ring CS-5
9	827015005	Set plate	38	000101703	Screw 4 x 12
10	000161206	Screw 3 x 10B	39	827077005	Cord guide
11	000103107	Screw 4 x 14	40	100411001	Lamp sticker (for U.S.A)
12	735016307	Bobbin winder stopper			
13	027012013	Top cover			
14	000061205	Nut 4-3			
15	724207004	Spool pin spring			
16	000107318	Screw 3 x 8B			
17	822020503	Spool holder			
18	810220003	Screw			
19	830312016	Cautional sticker (For UL)			
	100045000	Cautional sticker (For CSA)			
20	827016006	Top cover set plate			
21	000081005	Screw			
22	829601005	Face plate unit (For UL)			
	829601108	Face plate unit (For CSA)			
23	029002000	Face plate			
24	366501009	Face plate hinge			
25	000161206	Screw 3 x 10B			
26	827099003	Face plate sticker			
27	840602006	Thread cutter unit			
28	751225002	Face plate spring			
29	000081119	Screw 4 x 6			

# PARTS LIST



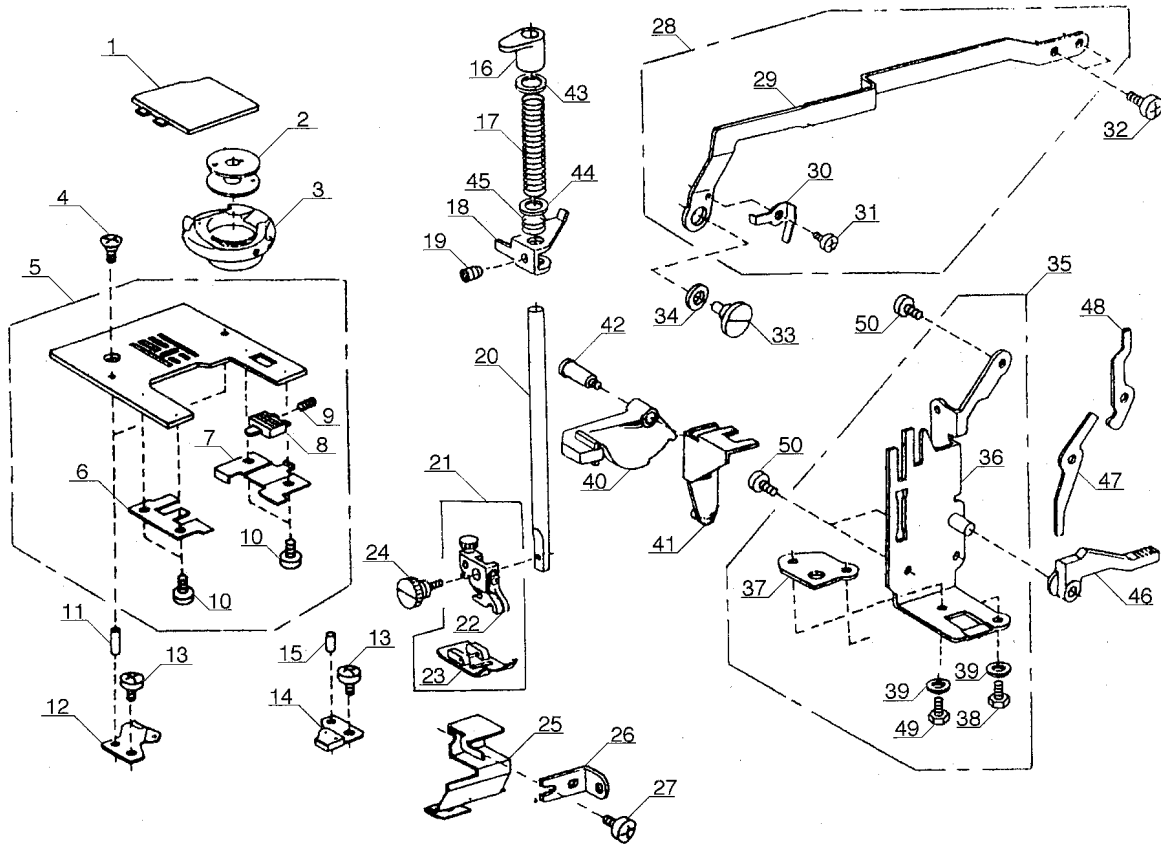
NO	PARTS NO.	DESCRIPTION	NO	PARTS NO.	DESCRIPTION
1	827610202	Front set plate unit	32	734625003	Threader set plate unit
2	827028012	Front set plate	33	734101008	Threader set plate
3	830510304	Photo interrupter unit	34	734102009	Threader base plate
4	827090004	Sensor set plate	35	000111902	Hexagon socket screw 3 x 4
5	000103808	Set screw 3 x 5	36	653503103	Needle bar unit
6	327630013	BH lever unit	37	653612003	Needle bar conn. stud unit
7	000002105	Snap ring E-3	38	653504001	Needle bar conn. stud unit
8	830057010	BH lever guide	39	650040005	Felt
9	827029013	Cord guide plate	40	650041006	Felt set spring
10	652203004	Set screw 3 x 3.5	41	829027006	Supporter guide plate
11	829016002	Sticker	42	827083004	Pin
12	830538113	Lamp socket unit	43	000111201	Hexagon socket screw 4 x 4
13	827106004	Set plate	44	000111201	Hexagon socket screw 4 x 4
14	810220003	Set screw	45	827018019	Lamp set plate
15	827609105	Needle bar supporter unit	46	000103705	Set screw 4 x 5
16	827026009	Needle bar supporter	47	000053008	Cord binder
17	730022002	Needle bar supporter pin	48	827092006	Supporter spring
18	673022002	Spring washer	49	000101105	Set screw 3 x 4
19	000070609	Plain washer 6	50	102408089	Needle HA1-14
20	000002507	Snap ring E-4			
21	000111902	Hexagon socket screw 3 x 4			
22	734093017	Threader shaft			
23	000122906	Guide pin			
24	734107004	Base plate			
25	827091005	Threader shaft spring			
26	653036029	Threader guide plate			
27	734096009	Threader lever			
28	734097000	Threader knob			
29	000097602	Set screw 2 x 4			
30	734515009	Threader guide plate			
31	000105501	Set screw 1.6 x 2.5			

# PARTS LIST



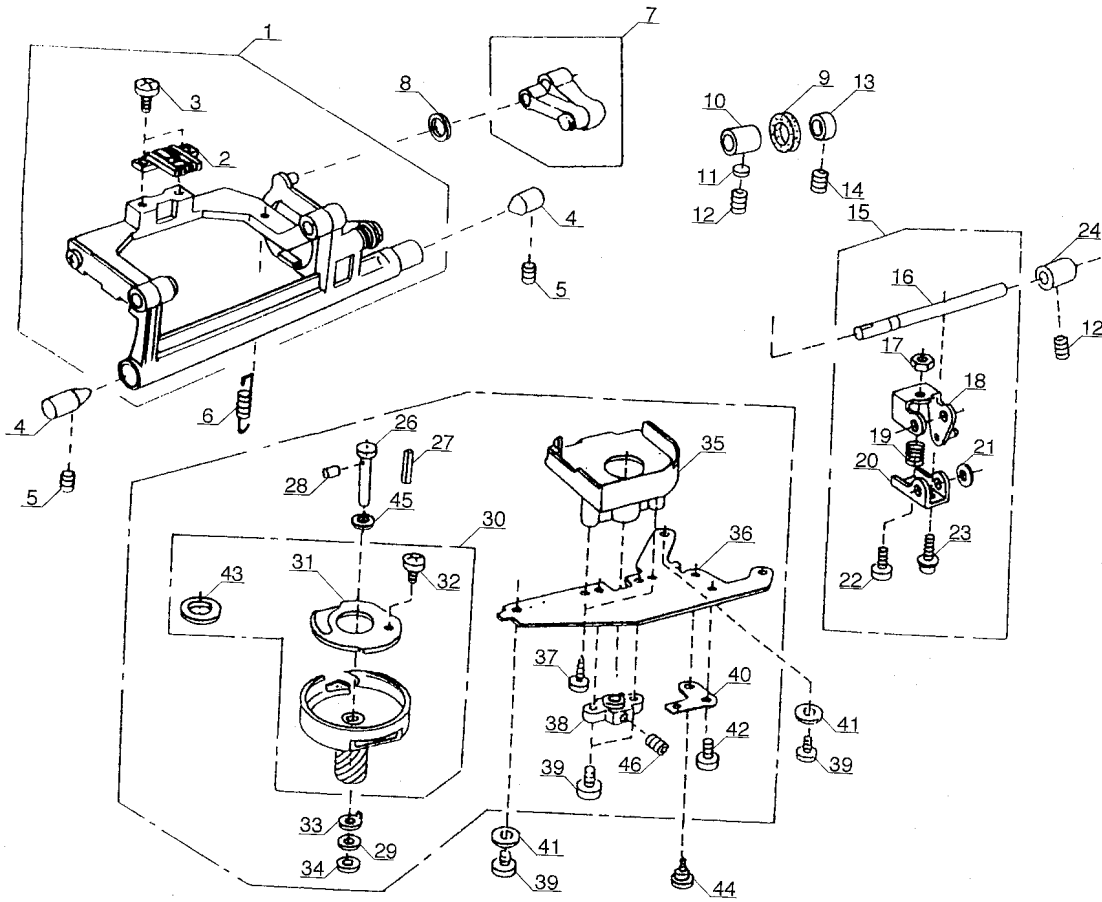
NO	PARTS NO.	DESCRIPTION	NO	PARTS NO.	DESCRIPTION
1	840604008	Stepping motor (feed) unit	32	822112008	Felt holder 1
2	000115205	Screw 4 x 6	33	827601107	Arm leg unit
3	000002105	Snap ring	34	000107318	Screw 3 x 8B
4	827003000	Base	35	000081119	Screw 4 x 6
5	827002102	Arm leg	36	827046005	SS Adjusting knob
6	000061412	Nut	37	735143005	Felt
7	000097901	Screw 5 x 18			
8	735002001	Rubber base			
9	000066808	Screw 6 x 14			
10	647009002	Bed rubber base			
11	000120203	Screw 3 x 8			
12	000103509	Screw 4 x 10			
13	824058001	Base cover			
14	827005013	Rear cover			
15	827006003	Rear cover set plate			
16	000104119	Screw 4 x 20			
17	000115205	Screw			
18	751612206	Lower shaft unit			
19	751148000	Feed cam			
20	000115009	Screw 3 x 8			
21	650076000	Lower shaft toothed wheel			
22	000111304	Hexagon socket screw 5 x 5			
23	753183025	Feed lifting cam			
24	686035008	Feed lifting cam spring			
25	820166001	Ring			
26	000111201	Hexagon socket screw			
27	000038502	Washer			
28	650078002	Bushing			
29	650079003	Bushing			
30	820161006	Pin			
31	822070003	Felt 1			

# PARTS LIST



NO	PARTS NO.	DESCRIPTION	NO	PARTS NO.	DESCRIPTION
1	750036001	Slide plate	32	000078319	Screw 3 x 6
2	102261000	Bobbin	33	678084007	Eccentric pin
3	627569106	Bobbin holder	34	653037000	Washer
4	681009101	Plain screw	35	828605001	Presser bar base unit
5	827605008	Needle plate unit	36	827020014	Presser bar base
6	825014008	Slide plate set plate	37	827082003	Presser bar set plate
7	825015010	Slide plate set plate	38	000066303	Hexagon bolt 4 x 6
8	825016000	Slide block	39	000070908	Washer 4
9	825017001	Slide block spring	40	829013009	Pressure adjusting lever
10	820374004	Screw 2 x 2.3	41	829014000	Pressure adjusting plate
11	000122504	Guide pin	42	820090003	Hinge screw
12	827011001	Reverse rotation stopper	43	652201002	Washer
13	810220003	Set screw	44	826055004	Washer
14	627567001	Rotation stopper	45	826056005	Spring
15	000122700	Guide pin	46	735029004	Presser foot lever
16	652104004	Presser bar bushing	47	827022005	Tension release lever
17	826006011	Presser spring	48	827023006	Tension release lever
18	735028003	Presser bar bracket	49	810220003	Screw
19	000111500	Hexagon socket screw	50	000081005	Screw 4 x 8
20	827021004	Presser bar			
21	685503010	Presser foot unit			
22	804509000	Presser foot holder unit			
23	685502019	Zigzag foot unit			
24	647112009	Thumb screw			
25	827036002	Arm thread guide			
26	827037003	Front panel set plate			
27	000069605	Set screw 4 x 8			
28	827622012	ZZ rod unit			
29	827055018	ZZ rod			
30	827088009	ZZ rod spring			
31	820373003	Screw 2 x 3			

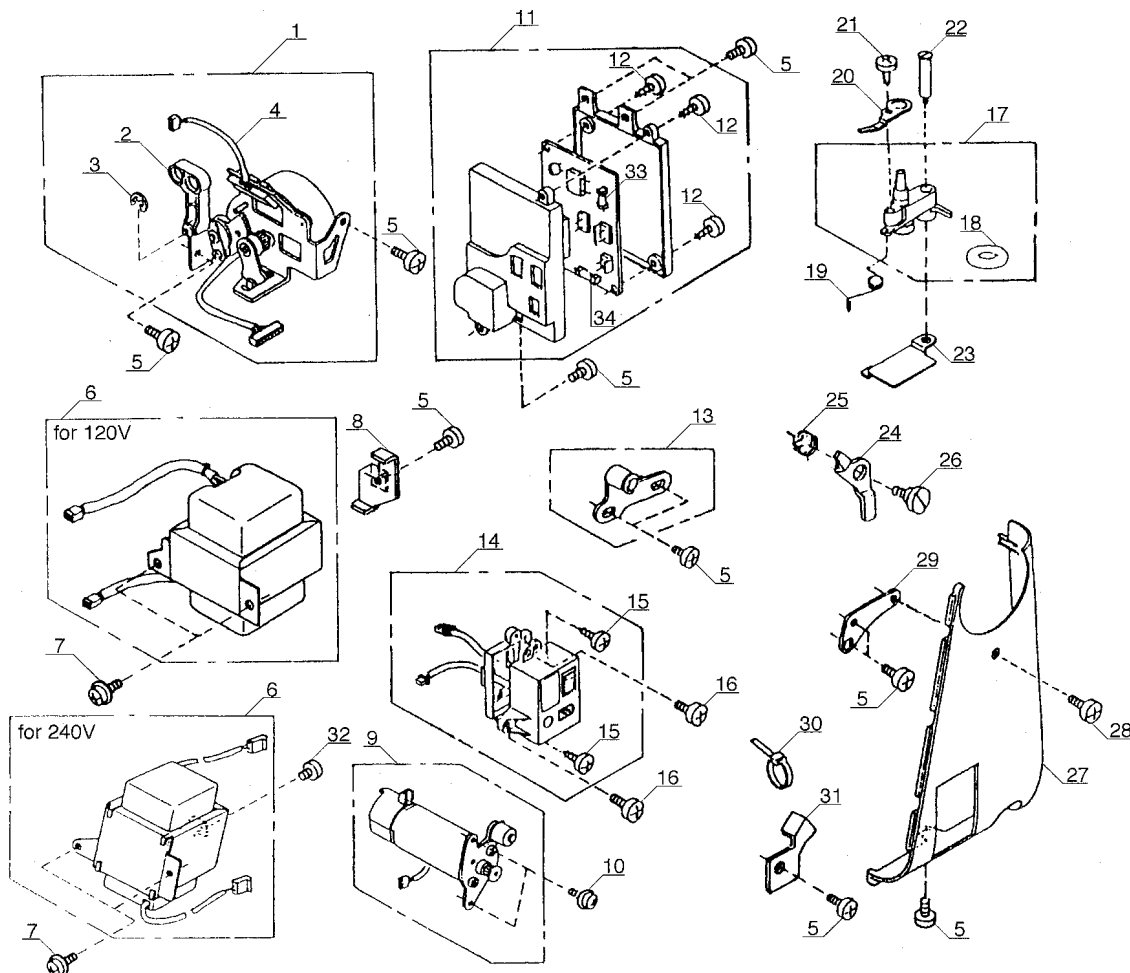
# PARTS LIST



NO	PARTS NO.	DESCRIPTION	NO	PARTS NO.	DESCRIPTION
1	834527100	Feed rock shaft unit	32	820374004	Screw 2 x 2.3
2	840005003	Feed dog	33	627192001	Washer
3	000104005	Screw	34	625102008	Washer
4	738055008	Center screw	35	827040009	Cover
5	000111304	Set screw	36	823106002	Shuttle race set plate
6	650085002	Spring	37	000107204	Set screw 3 x 12B
7	650612004	Feed adjuster unit	38	650094004	Shuttle race shaft base
8	000036603	Washer	39	000081005	Set screw 4 x 8
9	823110009	Felt	40	650171006	Set plate
10	625144002	Bushing	41	000070506	Washer
11	650175000	Washer	42	000101404	Set screw
12	000111201	Hexagon socket screw 4 x 4	43	627190010	Magnet
13	820387000	Ring	44	650172007	Hinge screw
14	000111201	Hexagon socket screw 4 x 4	45	000038409	Washer
15	840603007	Feed shaft unit	46	000111304	Hexagon socket screw 5 x 5
16	840006004	Feed shaft			
17	000160102	Adjustable nut 4			
18	825261002	Feed adjusting arm 2			
19	589040002	Spring			
20	827043105	Feed adjusting arm 1			
21	810207004	Spring washer			
22	827086007	Feed adjusting arm screw			
23	000115906	Set screw TP			
24	650092002	Bushing			
25	827614011	Shuttle race unit			
26	820123006	Shuttle race shaft			
27	820124007	Oil string 1			
28	820125008	Oil string 2			
29	000038409	Washer			
30	650623008	Shuttle body unit			
31	627191000	Thread guard			



# PARTS LIST



NO	PARTS NO.	DESCRIPTION	NO	PARTS NO.	DESCRIPTION
1	840608002	Stepping motor (ZZ) unit	28	000104119	Screw 4 x 20
2	827054006	Connecting arm	29	827085017	Belt cover set plate
3	000002105	Snap ring E-3	30	000053008	Cord binding
4	830543100	Sensor unit	31	827081002	Cord guide
5	000081005	Screw 4 x 8	32	000101404	Screw 4 x 6
6	829505003	Transformer unit (120V)	33	000117908	Fuse AC125V,2.5A (for 120V)
	829508006	Transformer unit (240V)		000143693	Fuse AC250V,2.0A (for 240V)
7	000115205	Screw 4 x 6	34	000182177	Fuse AC250V,3.15A (for 120V)
8	829020009	Transformer supporter (for 120V only)		000144199	Fuse AC250V,5.0A (for 240V)
9	827628007	Motor unit			
10	000115700	Screw TP			
11	827623304	Print board C unit (120V)			
	827626201	Print board C unit (240V)			
12	000161206	Set screw 3 x 10B			
13	652611009	Idler			
14	830575019	Machine socket unit (120V)			
	830576010	Machine socket unit (240V)			
15	000121204	Screw 4 x 8B			
16	000103509	Screw 4 x 10			
17	827506008	Bobbin winder unit			
18	647018004	Rubber ring			
19	823119008	Spring			
20	829011007	Switch lever			
21	000161103	Screw			
22	652093009	Hinge screw			
23	829021000	Bobbin winder cover			
24	830145005	Declutch arm			
25	625215005	Spring			
26	625214004	Hinge screw			
27	827080104	Belt cover			

