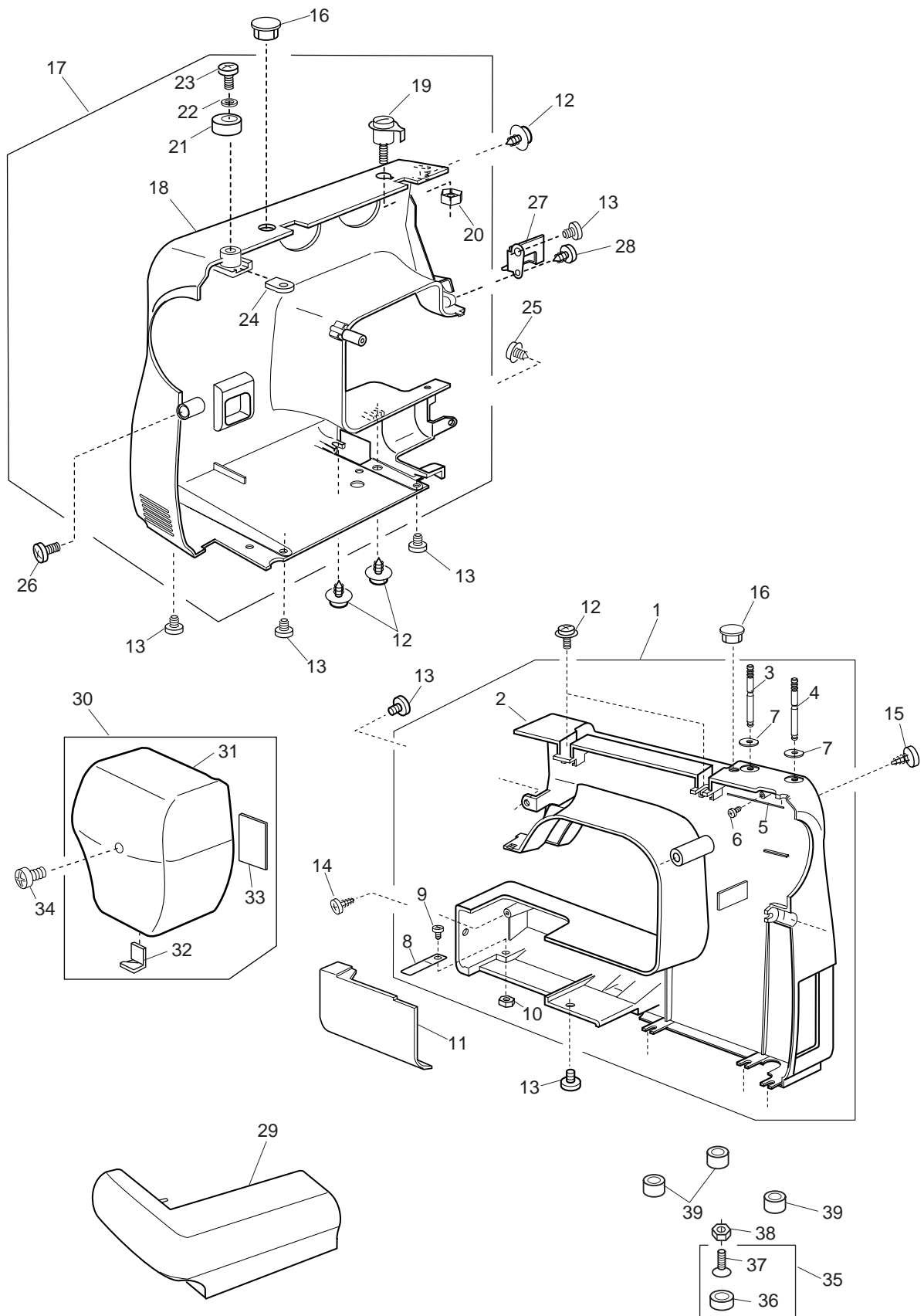


MODEL 3004
MODEL 3008
MODEL 3012

PARTS LIST



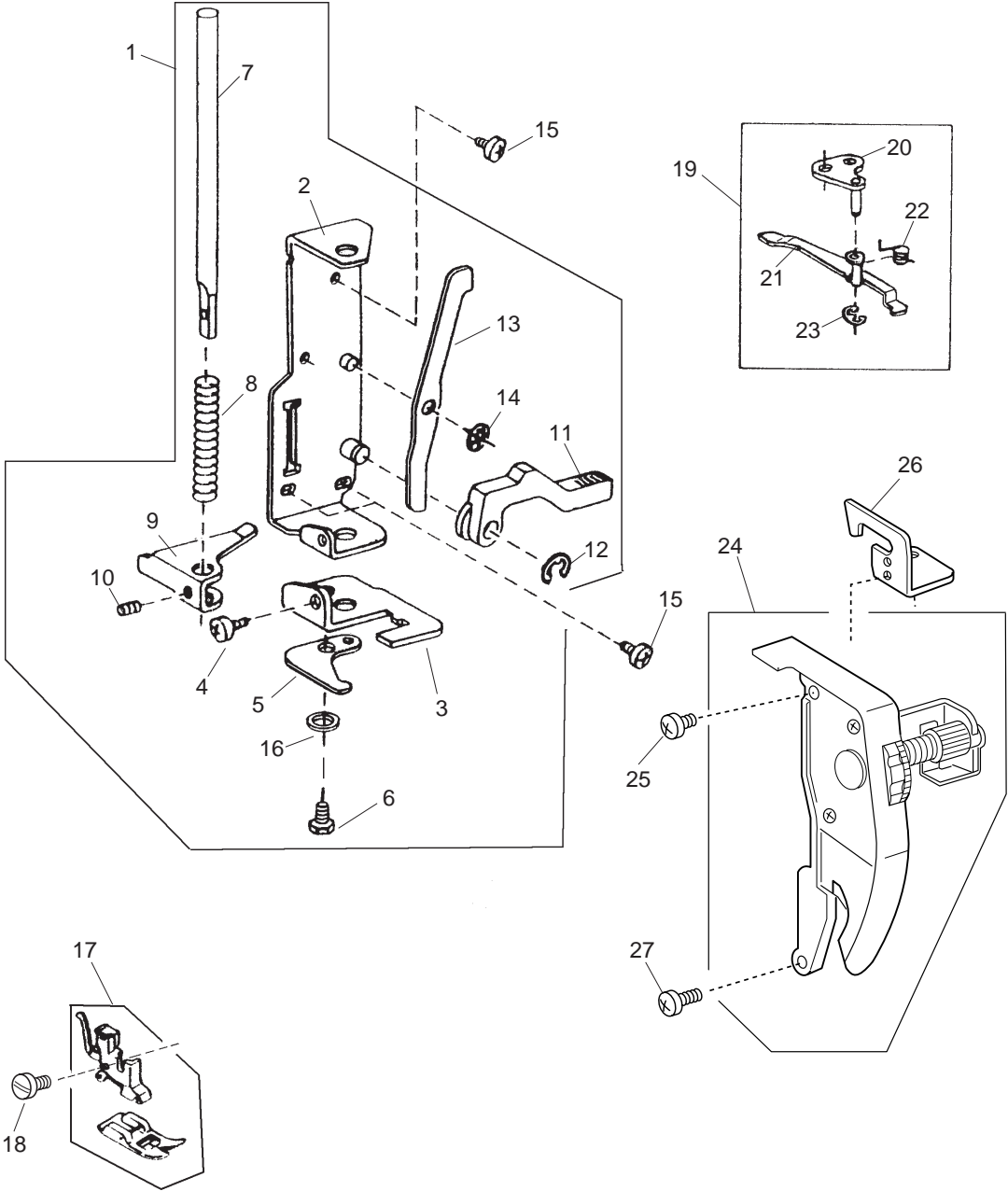
PARTS LIST



PARTS LIST

| KEY NO. | PARTS NO. | DESCRIPTION | REMARK |
|---------|-----------|---------------------------|--------|
| 1 | 306601004 | REAR COVER (UNIT) | |
| 2 | 306001008 | REAR COVER | |
| 3 | 652302004 | SPOOL PIN | |
| 4 | 652205006 | SPOOL PIN | |
| 5 | 736007009 | SPOOL PIN SPRING | |
| 6 | 000076317 | TAPPING SCREW 3X10 | |
| 7 | 735013005 | SPOOL PIN SPRING BASE | |
| 8 | 730006000 | SPRING | |
| 9 | 000101404 | SETSCREW 4X6 | |
| 10 | 000061205 | NUT | |
| 11 | 739004005 | BED COVER PLATE | |
| 12 | 000115205 | TP SCREW 4X6 | |
| 13 | 000081005 | SETSCREW 4X8 | |
| 14 | 000121905 | TAPPING SCREW 4X12B | |
| 15 | 000198604 | TAPPING SCREW 4X14B | |
| 16 | 653006101 | CAP | |
| 17 | 306604409 | FRONT COVER (UNIT)(3004) | |
| | 306604306 | FRONT COVER (UNIT)(3008) | |
| | 306604203 | FRONT COVER (UNIT)(3012) | |
| 18 | 306009707 | FRONT COVER (3004) | |
| | 306009604 | FRONT COVER (3008) | |
| | 306009501 | FRONT COVER (3012) | |
| 19 | 730501011 | THREAD GUIDE PLATE (UNIT) | |
| 20 | 000160102 | ADJUSTABLE LOCK NUT 4 | |
| 21 | 735016307 | BOBBIN WINDER STOPPER | |
| 22 | 000071013 | WASHER | |
| 23 | 000103107 | SETSCREW 4X14 | |
| 24 | 843014004 | NUT | |
| 25 | 000115607 | TP SCREW 4X8 | |
| 26 | 000101703 | SETSCREW 4X12 | |
| 27 | 745031000 | THREAD GUIDE PLATE | |
| 28 | 000107307 | TAPPING SCREW 3X8B | |
| 29 | 306002009 | EXTENSION TABLE (UNIT) | |
| 30 | 306602005 | FACE COVER (UNIT) | |
| 31 | 306003103 | FACE COVER | |
| 32 | 840602006 | THREAD CUTTER (UNIT) | |
| 33 | 724025006 | REFLEX STICKER | |
| 34 | 000080901 | SETSCREW 4X25 | |
| 35 | 735616200 | RUBBER BASE (UNIT) | |
| 36 | 735002001 | RUBBER BASE | |
| 37 | 000097901 | FLAT SCREW M5X18 | |
| 38 | 000061319 | NUT | |
| 39 | 739064003 | BED RUBBER BASE | |

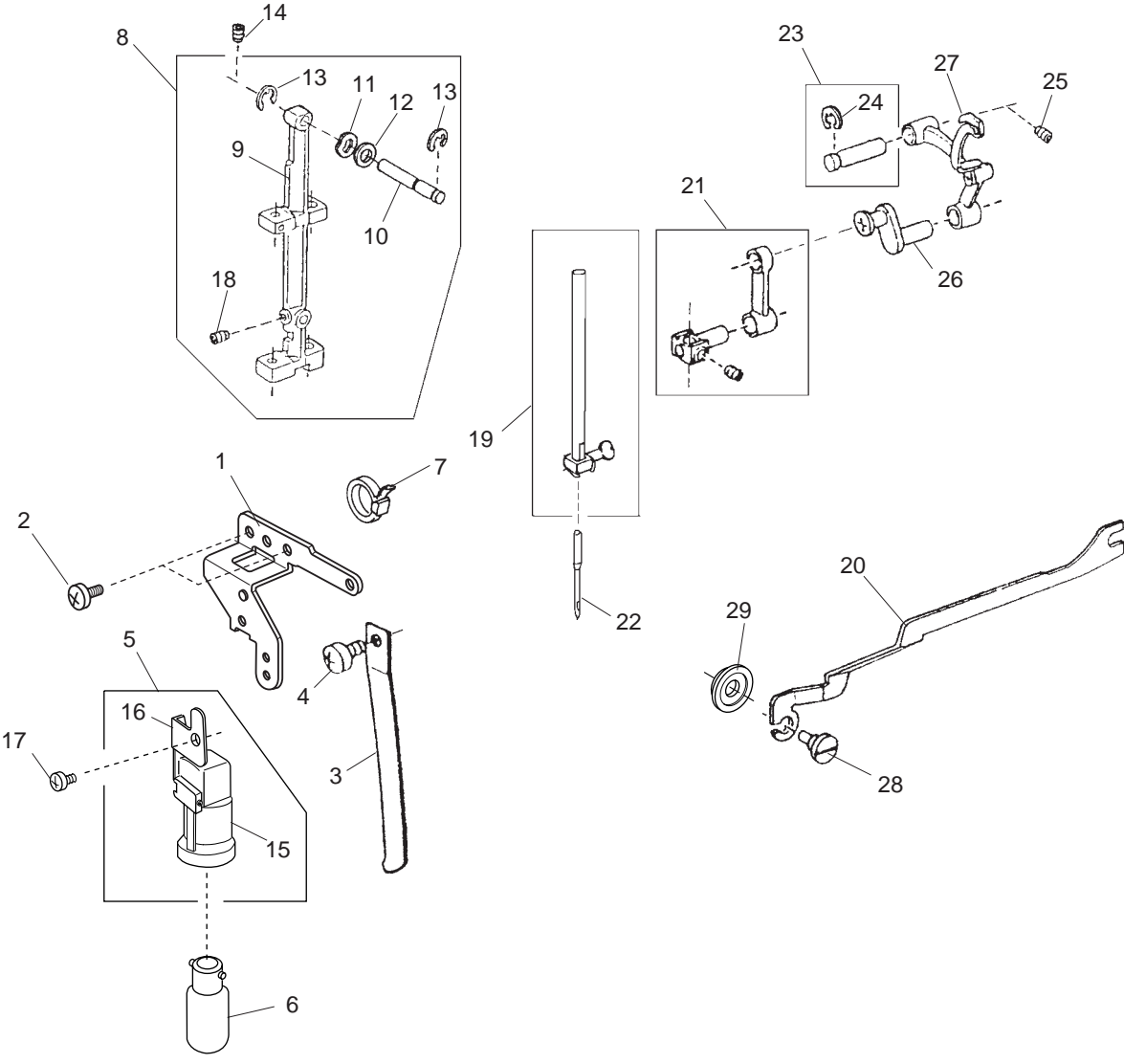
PARTS LIST



PARTS LIST

| KEY NO. | PARTS NO. | DESCRIPTION | REMARK |
|---------|-----------|-------------------------------|--------|
| 1 | 305604004 | PRESSER BAR BASE PLATE (UNIT) | |
| 2 | 735221008 | PRESSER BAR BASE PLATE | |
| 3 | 735222009 | NEEDLE DROP ADJUSTING PLATE | |
| 4 | 000101404 | SETSCREW 4X6 | |
| 5 | 735025000 | NEEDLE BAR SUPPORTER STOPPER | |
| 6 | 000138307 | BOLT 4X8 | |
| 7 | 305004008 | PRESSER BAR | |
| 8 | 735027002 | PRESSER BAR SPRING | |
| 9 | 735028003 | PRESSER BAR BRACKET | |
| 10 | 000111500 | HEXAGONAL SOCKET SCREW 4X8 | |
| 11 | 735029004 | PRESSER FOOT LIFTER | |
| 12 | 000001609 | SNAP RING E-5 | |
| 13 | 735030008 | TENSION RELEASE LEVER | |
| 14 | 000013903 | SNAP RING CS-5 | |
| 15 | 000081005 | SETSCREW 4X8 | |
| 16 | 000070506 | WASHER | |
| 17 | 301612003 | PRESSER FOOT (UNIT) | |
| 18 | 763048006 | THUMB SCREW | |
| 19 | 741604008 | TENSION RELEASE ARM (UNIT) | |
| 20 | 739017001 | TENSION RELEASE ARM BASE | |
| 21 | 741008006 | TENSION RELEASE ARM | |
| 22 | 739019003 | TENSION RELEASE SPRING | |
| 23 | 000002105 | SNAP RING E-3 | |
| 24 | 306501003 | TENSION ASSEMBLY | |
| 25 | 000103808 | SETSCREW 3X5 | |
| 26 | 739016000 | TOP COVER THREAD GUIDE | |
| 27 | 000101703 | SETSCREW 4X12 | |

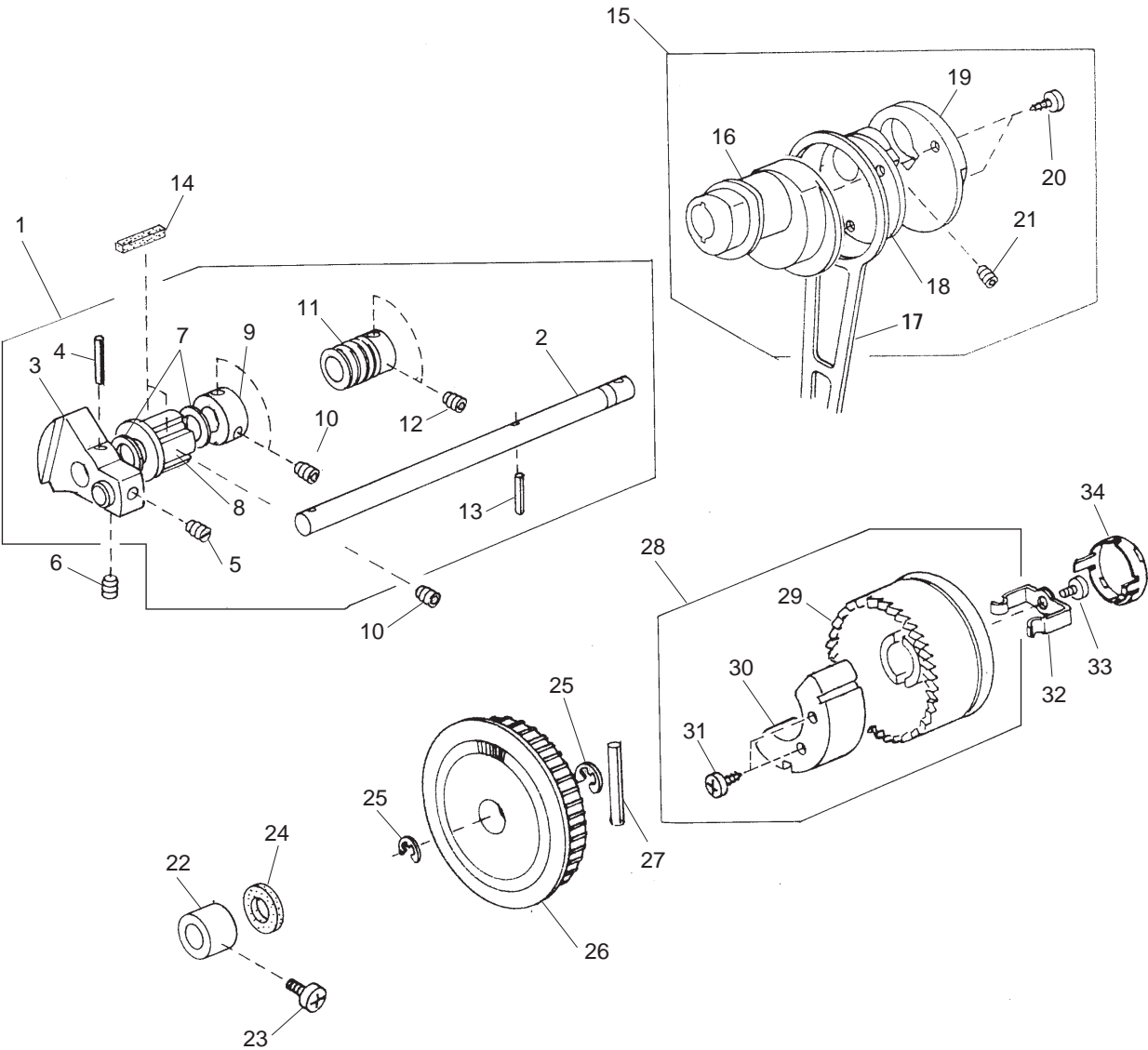
PARTS LIST



PARTS LIST

| KEY NO. | PARTS NO. | DESCRIPTION | REMARK |
|------------|--------------|-----------------------------------|--------|
| 1 | 740007105 | FACE COVER SET PLATE (UNIT) | |
| 2 | 000081005 | SETSCREW 4X8 | |
| 3 | 730024004 | NEEDLE BAR SUPPORTER SPRING | |
| 4 | 000101404 | SETSCREW 4X6 | |
| 5 | 743634003 | LAMP SOCKET (UNIT) | |
| 6 | 000009009 | LAMP 120V 15W | |
| 7 | 000053709 | CORD TIE BAND | |
| 8 | 301610001 | NEEDLE BAR SUPPORTER (UNIT) | |
| 9 | 301032003 | NEEDLE BAR SUPPORTER | |
| 10 | 730022002 | NEEDLE BAR SUPPORTER PIN | |
| 11 | 673022002 | WAVE WASHER | |
| 12 | 000070609 | PLAIN WASHER | |
| 13 | 000002507 | SNAP RING E-4 | |
| 14 | 000111304 | HEXAGONAL SOCKET SCREW 5X5 | |
| 15 | 655681009 | LAMP SOCKET (UNIT) | |
| 16 | 784026001 | LAMP SOCKET SET PLATE | |
| 17 | 000107802 | TAPPING SCREW 3X8 | |
| 18 | 000111902 | HEXAGONAL SOCKET SCREW 3X4 | |
| 19 | 730503116 | NEEDLE BAR (UNIT) | |
| 20 | 735119002 | ZIGZAG ROD | |
| 21 | 680504005 | NEEDLE BAR CONNECTING STUD (UNIT) | |
| 22 | 102408089 | NEEDLE HA1-14 | |
| 23 | 731511006 | THREAD TAKE-UP LEVER PIN (UNIT) | |
| 24 | 000002806 | SNAP RING E-3 | |
| 25 | 000111304 | HEXAGONAL SOCKET SCREW 5X5 | |
| 26 | 735504008 | NEEDLE BAR CRANK PIN (UNIT) | |
| 27 | 625506109 | THREAD TAKE-UP LEVER (UNIT) | |
| 28 | 678084007 | ECCENTRIC PIN | |
| 29 | 748021006 | ZIGZAG ROD PLAIN WASHER | |

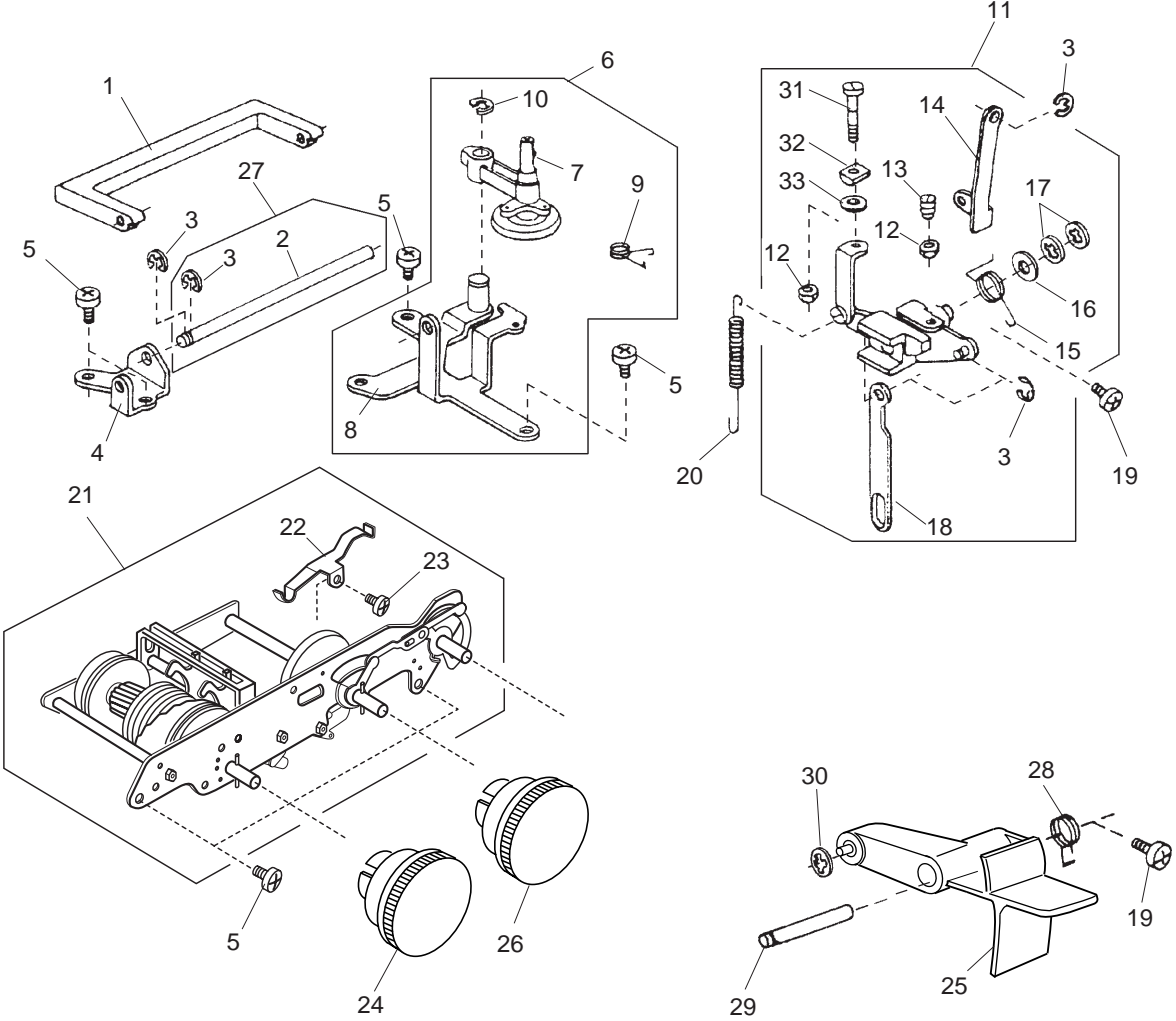
PARTS LIST



PARTS LIST

| KEY NO. | PARTS NO. | DESCRIPTION | REMARK |
|------------|--------------|----------------------------|--------|
| 1 | 743603003 | UPPER SHAFT (UNIT) | |
| 2 | 743007001 | UPPER SHAFT | |
| 3 | 743008002 | TAKE-UP LEVER CRANK | |
| 4 | 000021708 | KNOCK PIN | |
| 5 | 102073003 | SETSCREW | |
| 6 | 761052007 | SETSCREW | |
| 7 | 000036717 | THRUST WASHER | |
| 8 | 732025001 | UPPER SHAFT FRONT BUSHING | |
| 9 | 639095000 | RING | |
| 10 | 000111304 | HEXAGONAL SOCKET SCREW 5X5 | |
| 11 | 751146008 | WORM | |
| 12 | 553245008 | HEXAGONAL SOCKET SCREW 4X4 | |
| 13 | 000003601 | SPRING PIN | |
| 14 | 731312005 | FELT | |
| 15 | 743604004 | CRANK ROD (UNIT) | |
| 16 | 743010007 | FEED CAM | |
| 17 | 743011008 | CRANK ROD | |
| 18 | 639033000 | CRANK CAM | |
| 19 | 639102012 | CRANK CAM PLATE | |
| 20 | 000150501 | TAPPING SCREW 3X14B | |
| 21 | 000110107 | HEXAGONAL SOCKET SCREW 5X5 | |
| 22 | 732003003 | UPPER SHAFT REAR BUSHING | |
| 23 | 000172602 | SETSCREW 5X8 | |
| 24 | 743029009 | FELT | |
| 25 | 000030205 | SNAP RING E-8 | |
| 26 | 743019006 | BELT WHEEL | |
| 27 | 000023803 | SPRING PIN | |
| 28 | 306605008 | HANDWHEEL (UNIT) | |
| 29 | 306005002 | HANDWHEEL | |
| 30 | 743030003 | BALANCE WEIGHT | |
| 31 | 000121400 | TAPPING SCREW 3X14B | |
| 32 | 639113016 | CLUTCH SPRING | |
| 33 | 000081005 | SETSCREW 4X8 | |
| 34 | 650070059 | CLUTCH CAP | |

PARTS LIST

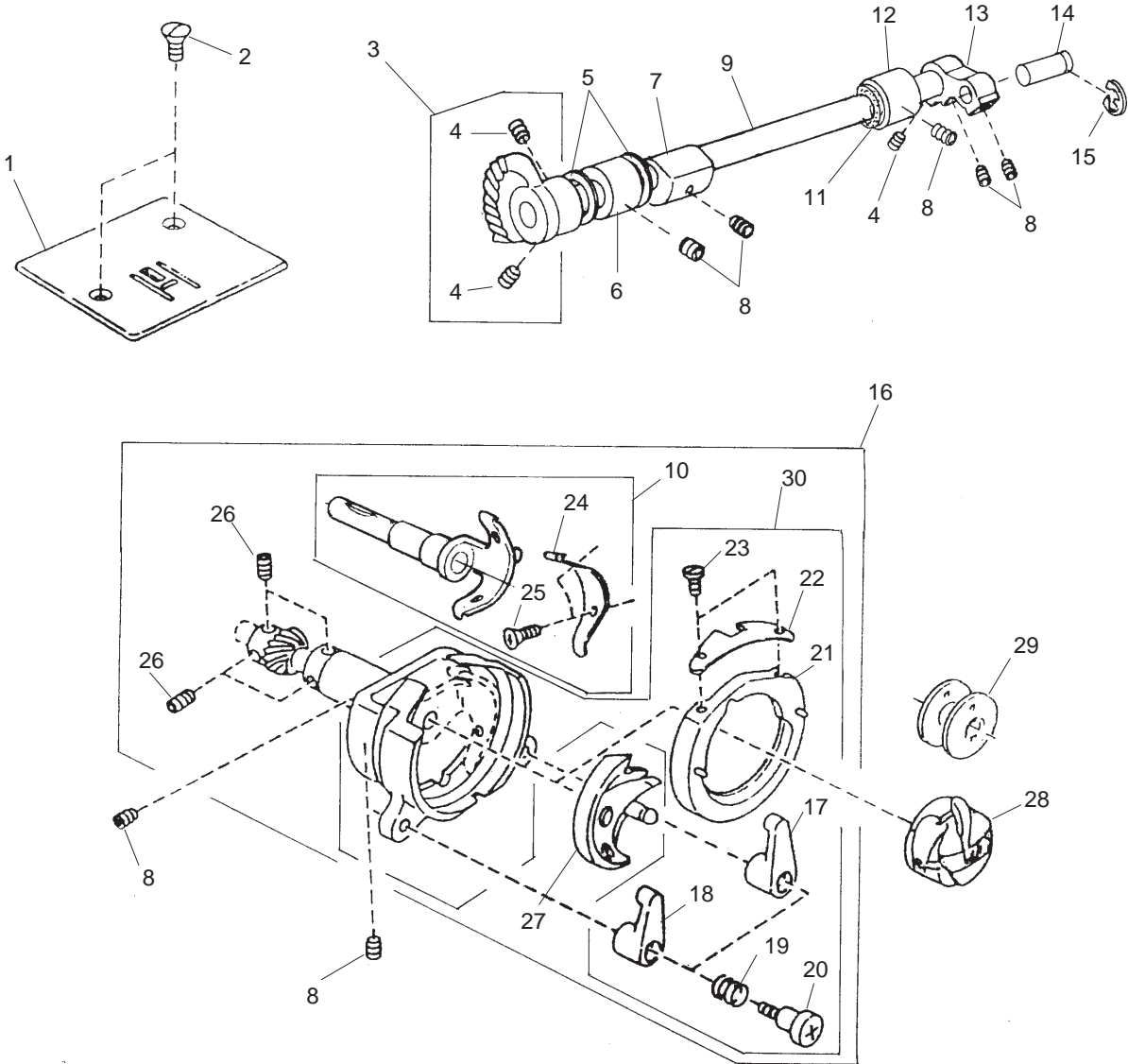


PARTS LIST

| KEY NO. | PARTS NO. | DESCRIPTION | REMARK |
|---------|-----------|--|--------|
| 1 | 735017308 | HANDLE | |
| 2 | 740011009 | HANDLE SHAFT | |
| 3 | 000002105 | SNAP TING E-3 | |
| 4 | 740010008 | HANDLE SUPPORTER | |
| 5 | 000081005 | SET SCREW 4X8 | |
| 6 | 740602209 | BOBBIN WINDER BASE PLATE (UNIT) | |
| 7 | 735501005 | BOBBIN WINDER ARM (UNIT) | |
| 8 | 740003101 | BOBBIN WINDER BASE PLATE | |
| 9 | 740042009 | BOBBIN WINDER ARM SPRING | |
| 10 | 000002806 | SNAP RING E-6 | |
| 11 | 736604105 | FEED REGULATOR (UNIT) | |
| 12 | 000160102 | ADJUSTABLE LOCK NUT 4 | |
| 13 | 648010009 | SETSCREW | |
| 14 | 739020007 | FEED REGULATING ROD | |
| 15 | 735077007 | FEED REGULATING BODY SPRING | |
| 16 | 735073003 | PLAIN WASHER | |
| 17 | 000013800 | SNAP RING CS-6 | |
| 18 | 745052007 | REVERSE LINK | |
| 19 | 000101301 | SETSCREW 5X10 | |
| 20 | 740125001 | FEED REGULATOR SPRING | |
| 21 | 305612108 | ZIGZAG MECHANISM (UNIT)(3004) | |
| 21 | 305611004 | ZIGZAG MECHANISM (UNIT)(3008) | |
| 21 | 745606105 | ZIGZAG MECHANISM (UNIT)(3012) | |
| 22 | 737011009 | INDEX SPRING | |
| 23 | 000103808 | SETSCREW 3X5 | |
| 24 | 306008603 | SELECTOR DIAL (PATTERN)(3004) | |
| | 306008500 | SELECTOR DIAL (PATTERN)(3008) | |
| | 306008407 | SELECTOR DIAL (PATTERN)(3012) | |
| 25 | 306006003 | R BUTTON | |
| 26 | 306007200 | SELECTOR DIAL (STITCH LENGTH)(3004) | |
| 26 | 306007107 | SELECTOR DIAL (STITCH LENGTH)(3008,3012) | |
| 27 | 740624001 | HANDLE SHAFT (UNIT) | |
| 28 | 739063002 | R BUTTON SPRING | |
| 29 | 736015000 | R BUTTON SHAFT | |
| 30 | 000014007 | SNAP RING CS-4 | |
| 31 | 735074004 | SS ADJUSTING SCREW | |
| 32 | 735076006 | SS ROD BLOCK | |
| 33 | 000071013 | WASHER 4 | |

MODEL 3004
MODEL 3008
MODEL 3012

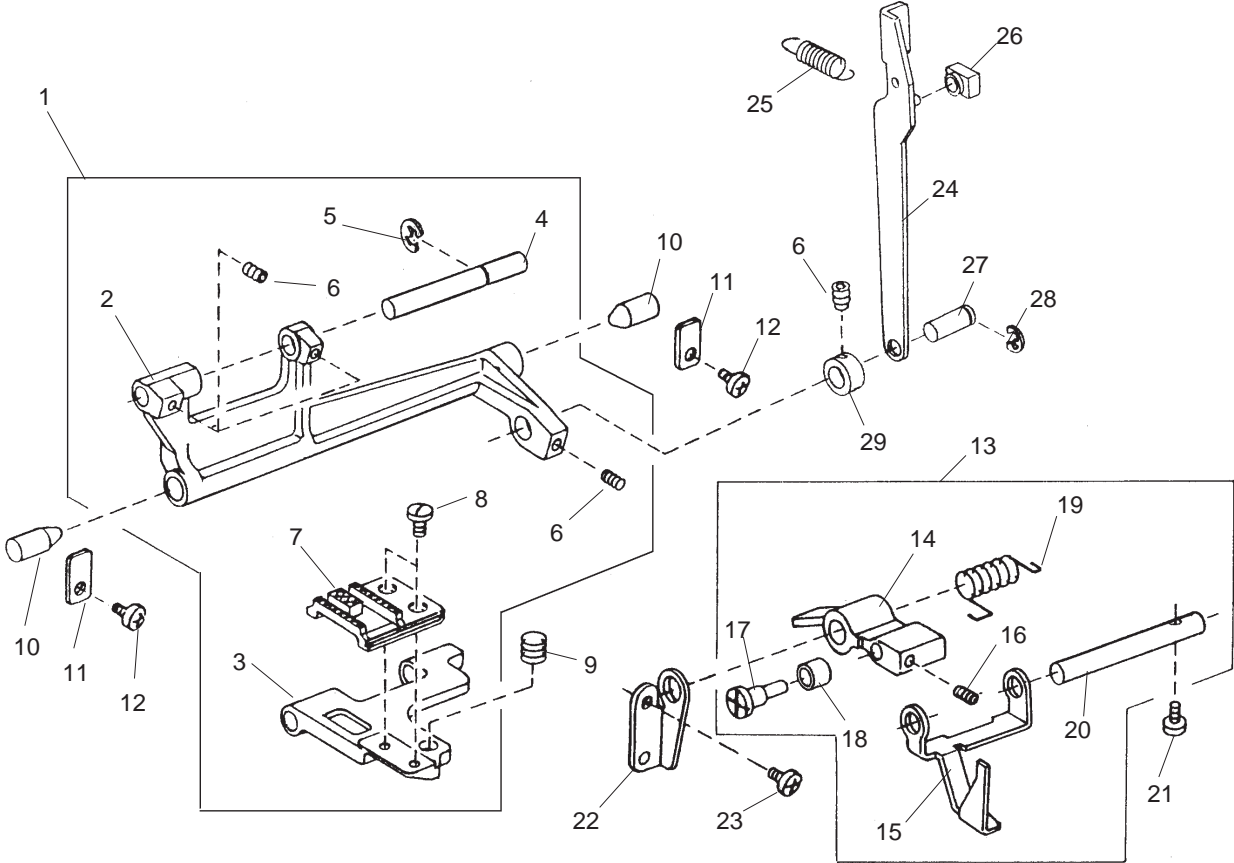
PARTS LIST



PARTS LIST

| KEY NO. | PARTS NO. | DESCRIPTION | REMARK |
|------------|--------------|---------------------------------|--------|
| 1 | 744004001 | NEEDLE PLATE | |
| 2 | 681009101 | SETSCREW | |
| 3 | 735950003 | LOWER SHAFT GEAR (UNIT) | |
| 4 | 000110107 | HEXAGONAL SOCKET SCREW 5X5WP | |
| 5 | 000036201 | WASHER 8-0.5 | |
| 6 | 735233003 | BUSHING | |
| 7 | 735061008 | FEED LIFTING CAM | |
| 8 | 000111304 | HEXAGONAL SOCKET SCREW 5X5 | |
| 9 | 735236006 | LOWER SHAFT | |
| 10 | 735509003 | DRIVER BODY (UNIT) | |
| 11 | 822070003 | FELT | |
| 12 | 735234004 | BUSHING | |
| 13 | 639036003 | LOWER SHAFT CRANK ARM | |
| 14 | 639037004 | PIN | |
| 15 | 000001609 | SNAP RING E-5 | |
| 16 | 735610101 | SHUTTLE RACE BODY (UNIT) | |
| 17 | 605065006 | SHUTTLE RACE RING CLASP (RIGHT) | |
| 18 | 605066007 | SHUTTLE RACE RING CLASP (LEFT) | |
| 19 | 639108007 | SHUTTLE RACE RING CLASP SPRING | |
| 20 | 673290003 | HINGE SCREW | |
| 21 | 553168006 | SHUTTLE RACE RING | |
| 22 | 601801000 | SHUTTLE RACE SPRING | |
| 23 | 102100000 | SETSCREW | |
| 24 | 670286007 | SHUTTLE DRIVER SPRING | |
| 25 | 102202003 | PLAIN SCREW | |
| 26 | 553245008 | HEXAGONAL SOCKET SCREW | |
| 27 | 532096007 | SHUTTLE HOOK | |
| 28 | 647515006 | BOBBIN CASE (UNIT) | |
| 29 | 102261000 | BOBBIN | |
| 30 | 735508105 | SHUTTLE RACE BODY (UNIT) | |

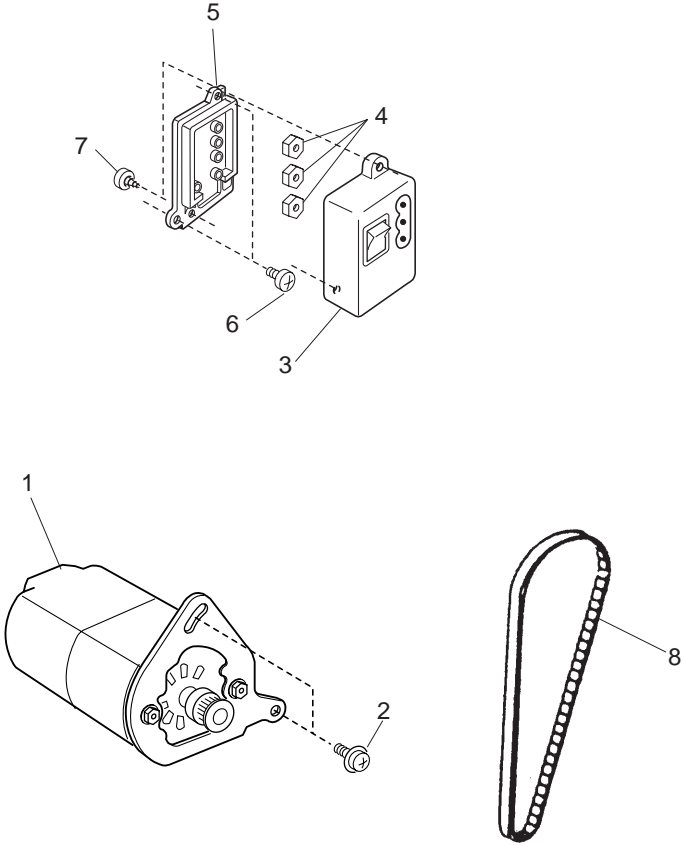
PARTS LIST



PARTS LIST

| KEY NO. | PARTS NO. | DESCRIPTION | REMARK |
|---------|-----------|--------------------------------|--------|
| 1 | 735612000 | FEED ROCK SHAFT (UNIT) | |
| 2 | 735078008 | FEED ROCK SHAFT | |
| 3 | 735079009 | FEED BAR | |
| 4 | 735080003 | FEED BAR SHAFT | |
| 5 | 000002507 | SNAP RING E-4 | |
| 6 | 000111201 | HEXAGONAL SOCKET SCREW 4X4 | |
| 7 | 735081004 | FEED DOG | |
| 8 | 735082005 | SETSCREW | |
| 9 | 735083006 | FEED BAR SPRING | |
| 10 | 735084007 | FEED ROCK SHAFT CENTER | |
| 11 | 735085008 | FEED ROCK SHAFT CENTER PLATE | |
| 12 | 000101404 | SETSCREW 4X6 | |
| 13 | 301609007 | FEED LIFTING ARM (UNIT) | |
| 14 | 301027005 | FEED LIFTING ARM | |
| 15 | 740013001 | DROP FEED SELECTING PLATE | |
| 16 | 000111201 | HEXAGONAL SOCKET SCREW 4X4 | |
| 17 | 735087000 | FEED LIFTING PIN | |
| 18 | 735088001 | FEED LIFTING ROLLER | |
| 19 | 730061003 | FEED LIFTING SPRING | |
| 20 | 735090006 | FEED LIFTING SHAFT | |
| 21 | 000101703 | SETSCREW 4X12 | |
| 22 | 739022009 | FEED LIFTING SHAFT HOLDER | |
| 23 | 000081119 | SETSCREW 4X6 | |
| 24 | 743012009 | FEED ROD | |
| 25 | 743013000 | FEED ROD SPRING | |
| 26 | 102141003 | FEED REGULATOR SLIDE BLOCK | |
| 27 | 735071001 | FEED ROCK SHAFT CONNECTING PIN | |
| 28 | 000002806 | SNAP RING E-6 | |
| 29 | 735276008 | RING | |

PARTS LIST

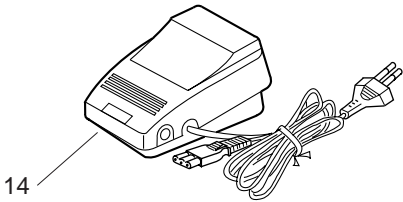
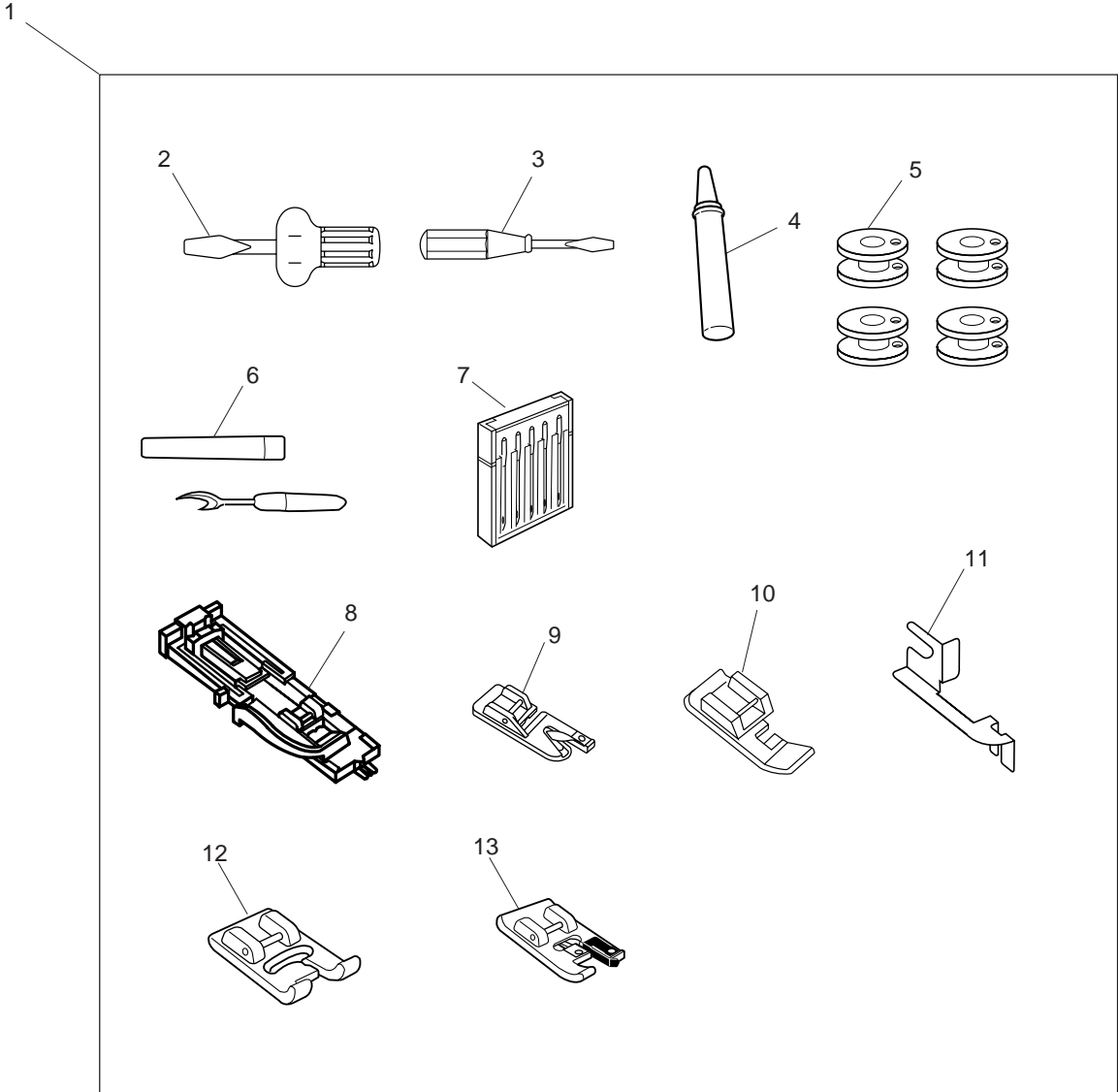


MODEL 3004
MODEL 3008
MODEL 3012

PARTS LIST

| KEY NO. | PARTS NO. | DESCRIPTION | REMARK |
|---------|-----------|-----------------------|--------|
| 1 | 744607000 | MOTOR ASSY | |
| 2 | 000201209 | SETSCREW 5X12 | |
| 3 | 739503308 | MACHINE SOCKET (UNIT) | |
| 4 | 000060802 | NUT | |
| 5 | 739037007 | MACHINE SOCKET COVER | |
| 6 | 000103509 | SETSCREW 4X10 | |
| 7 | 000107802 | SETSCREW 3X10 | |
| 8 | 650166008 | MOTOR TIMING BELT | |

PARTS LIST



MODEL 3004
MODEL 3008
MODEL 3012

PARTS LIST

| KEY NO. | PARTS NO. | DESCRIPTION | REMARK |
|---------|-----------|--------------------|--------|
| 1 | 747870706 | ACCESSORY SET | |
| 2 | 820832005 | LARGE SCREW DRIVER | |
| 3 | 647803004 | SMALL SCREW DRIVER | |
| 4 | 741814003 | OIL | |
| 5 | 102261000 | BOBBIN | |
| 6 | 647808009 | SEAM RIPPER | |
| 7 | 540401026 | NEEDLE SET | |
| 8 | 740801004 | BUTTONHOLE FOOT | |
| 9 | 743815000 | HEMMER FOOT | |
| 10 | 611406002 | ZIPPER FOOT | |
| 11 | 674401002 | HEM GUIDE | |
| 12 | 737801015 | SATIN STITCH FOOT | |
| 13 | 620404008 | OVEREDGE FOOT | |
| 14 | 042870308 | FOOT CONTROL | |