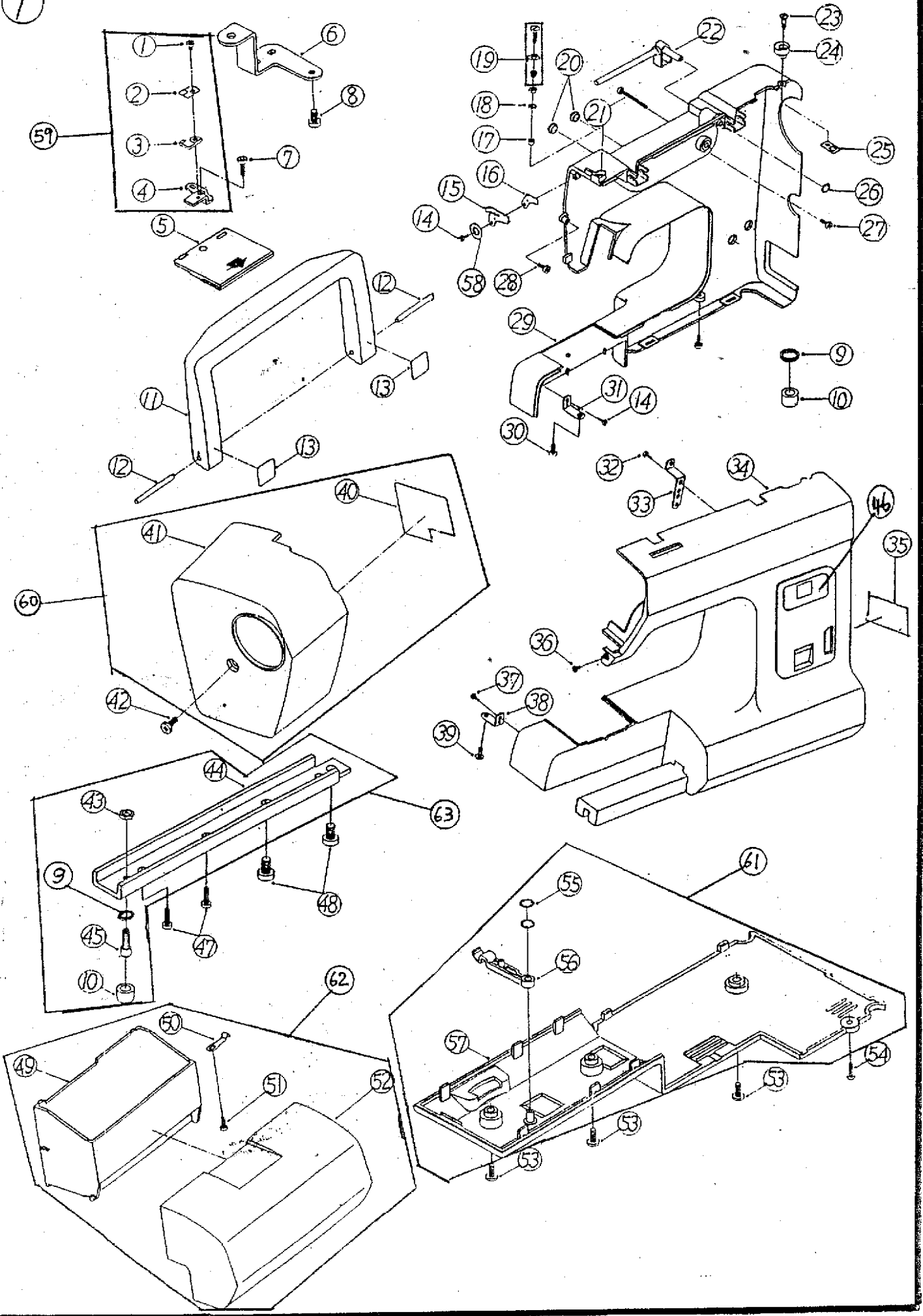


PARTS LIST

MODEL: NECCHI 311

SUNBEEN PRECISION MACHINE INC.

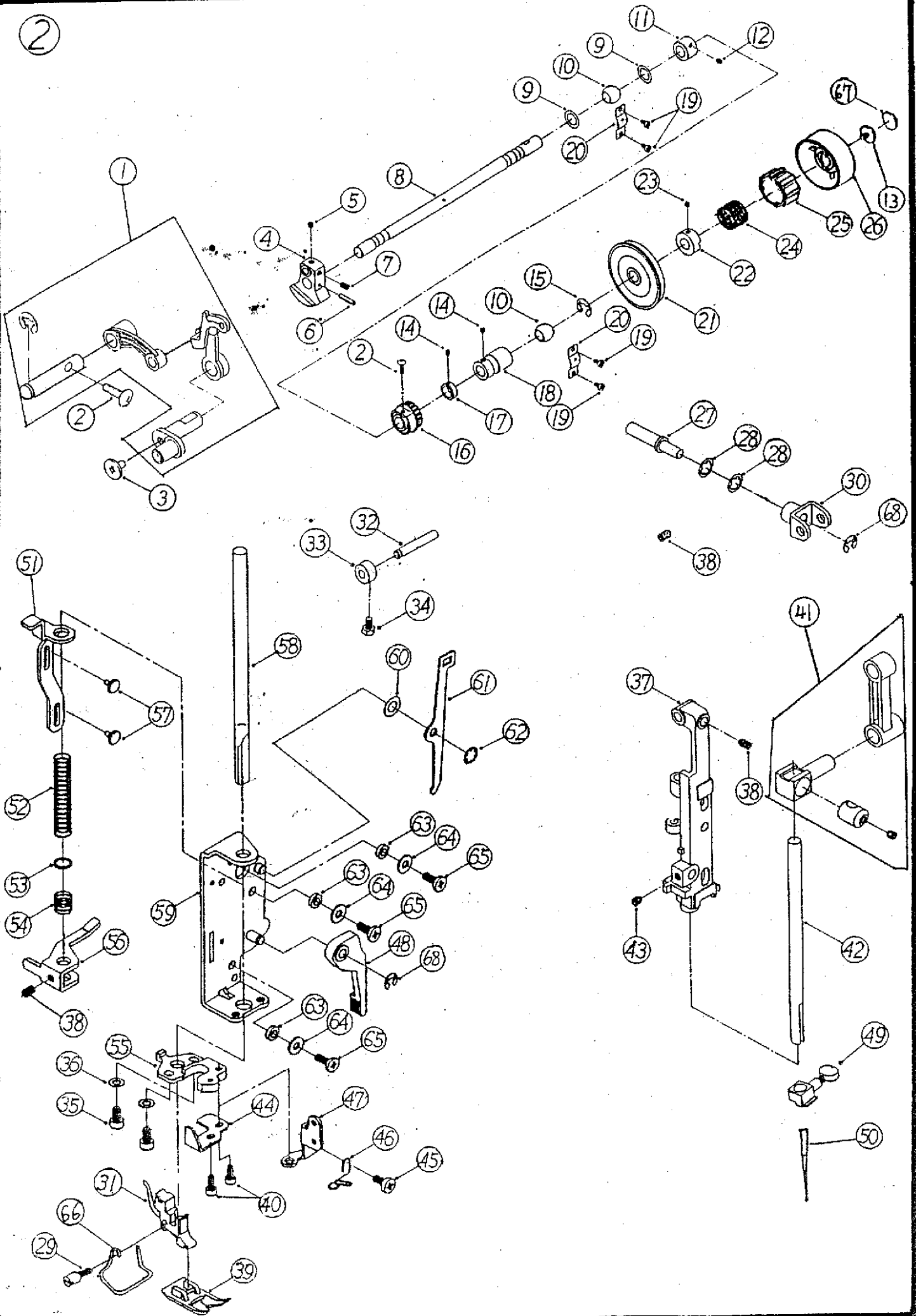
1





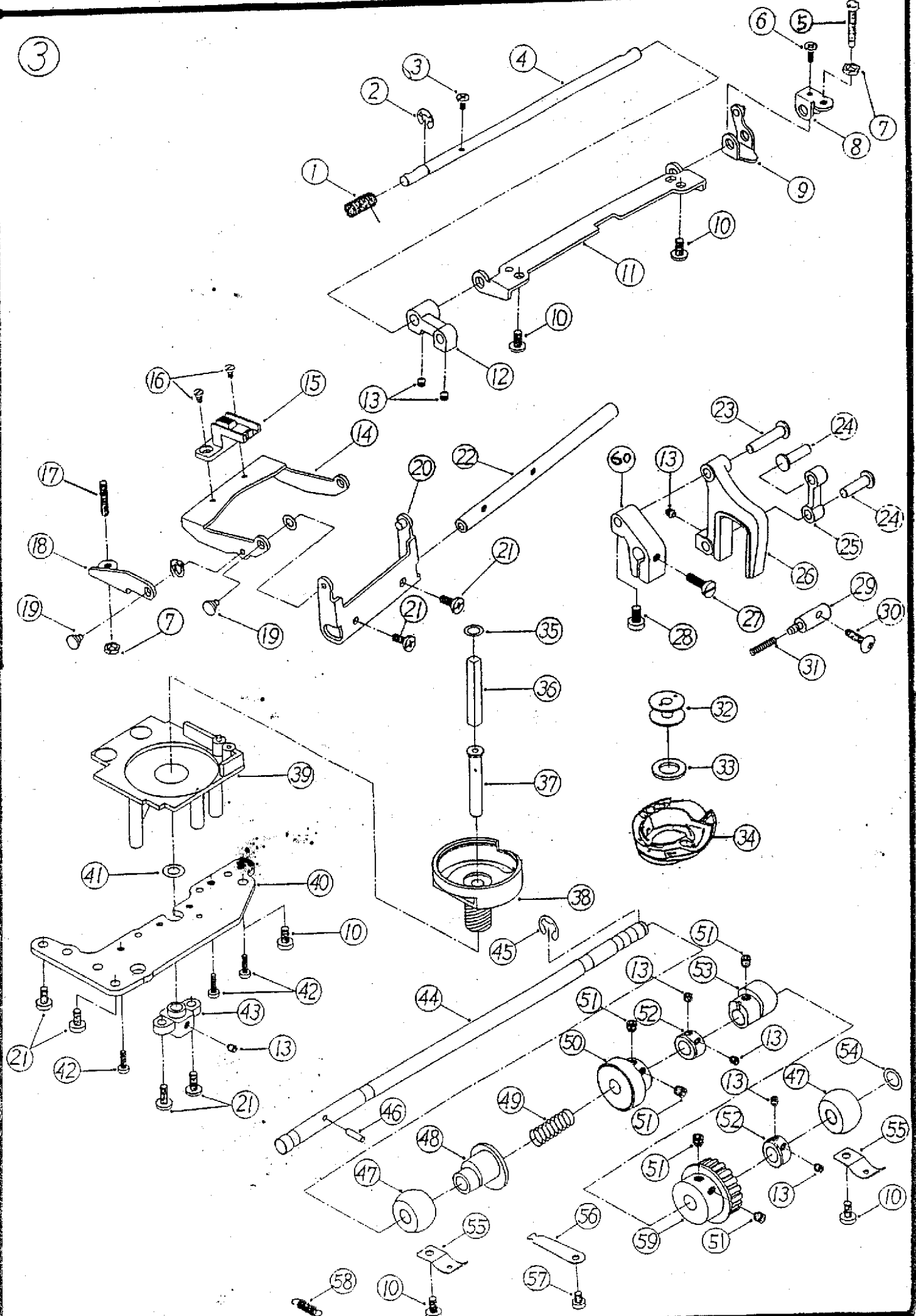
<u>ref</u> <u>no.</u>	<u>sunbeen</u> <u>part no.</u>	<u>name of parts</u>
01	000017044	SET SCREW
02	650099009	STOPPER PLATE'S CATCH
03	650098008	BOBBIN CASE STOPPER PLATE
04	650097007	BOBBIN CASE STOPPER PLATE BASE
05	650089006	BOBBIN SEE-THRU WINDOW
06	650006009	FIX PLATE (B)
07	000011233	SET SCREW
08	301008000	SET SCREW
09	650257007	CUSHION SPRING
10	650013009	RUBBER FOOT
11	650010006	HANDLE
12	650011007	HANDLE PIN
13	650256006	HANDLE INSERT
14	000011222	SET SCREW
15	650008001	THREAD GUIDE PLATE
16	650009002	SPRING
17	650005008	NUT
18	000055000	NUT
19	650501009	THREAD GUIDE SHAFT COMP.
20	250125014	ADJUSTING HOLE PLUG(W)
21	000019150	SET SCREW
22	650012008	SPOOL PIN
23	353128008	SET SCREW
24	380067002	BOBBIN WINDER STOPPER
25	650004007	FIX PLATE (A)
26	000012304	SNAP RING 6D
27	000011901	SET SCREW
28	000011901	SET SCREW
29	650003006	REAR COVER
30	000016032	SCREW
31	650007000	FIX PLATE (C)
32	000011222	SET SCREW
33	650020009	FIX PLATE (D)
34	650018059	FRONT COVER
35	650261004	RATING PLATE
36	000016010	SCREW
37	000011222	SET SCREW
38	650007000	FIX PLATE (C)
39	000016032	SCREW
40	270092002	FACE PLATE HEAT-SHIELD PLATE
41	650014000	FACE PLATE
42	000016032	SCREW
43	000055000	NUT
44	650022001	AID LEG
45	650023002	SET SCREW
46	650019005	STITCH WINDOW
47	000011233	SET SCREW
48	301143008	SET SCREW
49	650016002	ACCESSORIES COMPARTMENT
50	650017003	SPRING
51	000011222	SET SCREW
52	650015001	EXTENSION TABLE COMP
53	000016032	SCREW
54	000011901	SET SCREW
55	000012315	SNAP RING 5D
56	650026005	VERTICAL TRANSMISSION DIAL
57	650025004	BED
58	000014007	WASHER
59	650604003	BOBBIN CASE STOP SPRING COMP
60	650628003	FACE PLATE COMP
61	650623008	BOTTOM COVER COMP
62	650624009	EXTENSION TABLE COMP
63	650625000	SUPPORT LEG COMP

2

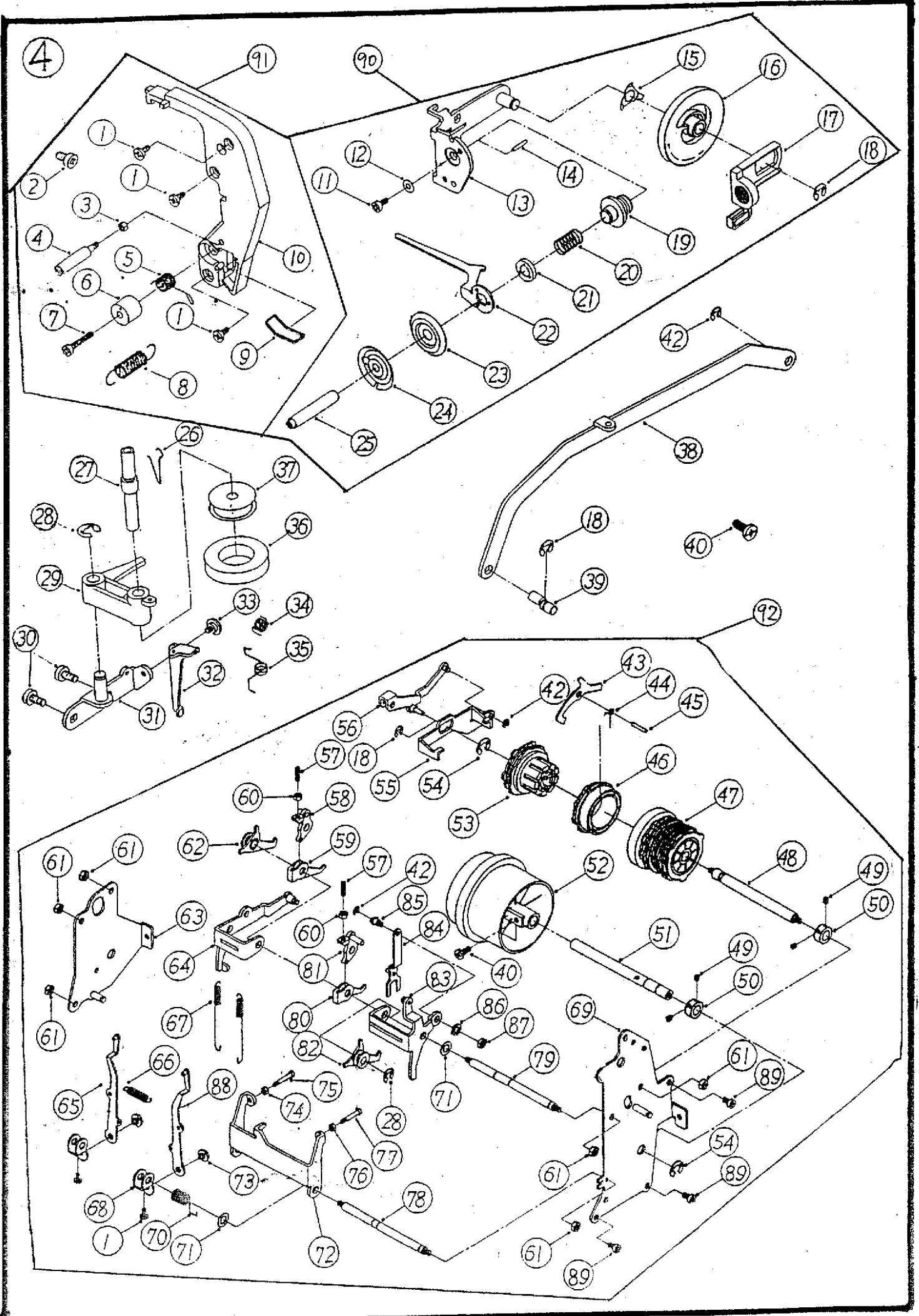


ref no.	sunbeen part no.	name of parts
01	650509007	THREAD TAKE UP LEVER COMP
02	250010004	SET SCREW
03	301100003	SET SCREW
04	301083009	THREAD TAKE-UP CRANK
05	301068008	SET SCREW
06	000003508	SPRING PIN 4*20
07	301084000	SET SCREW
08	650071005	UPPER SHAFT
09	301086002	NYION WASHER
10	250002003	FORNT BUSHING
11	301340203	COLLAR
12	301087003	SET SCREW
13	650081008	HAND WHEEL FIX SCREW
14	301093002	UPPER SHAFT SET SCREW
15	000000907	"E" RING
16	650073007	UPPER SHAFT TIMING GEAR
17	370163101	COLLAR
18	650074008	WORM GEAR SHAFT
19	301008000	SET SCREW
20	650079003	COLLAR RETAIN PLATE
21	650075009	MOTOR BELT PULLEY
22	650076000	CLUTCH SHAFT COLLAR
23	301087003	SET SCREW
24	650078002	SPRING
25	650077001	CLUTCH
26	650080007	HAND WHEEL
27	650193107	NEEDLE BAR ROD SHAFT
28	000013110	WAVE WASHER
29	610012004	SCREW
30	650056107	NEEDLE BAR ROD SUPPORT
31	301522108	PRESSER FOOT HOLDER
32	650059007	PIN
33	360018006	COLLAR 5*12 t=6.5
34	301049003	SET SCREW
35	000015019	SCREW
36	301245001	WASHER
37	650058006	NEEDLE BAR ROD
38	000023021	SCREW
39	610412008	Z/Z FOOT
40	000015064	HEXAGON NUT
41	301503000	NEEDLE HOLDER
42	650060001	NEEDLE BAR
43	301046000	SET SCREW
44	650233007	NEEDLE BAR STOPPING PLATE
45	250087002	SET SCREW
46	650195006	THREAD GUIDE
47	650249006	FRONT COVER SET PLATE
48	650051009	PRESSER BAR LIFTER
49	260502009	NEEDLE CLAMP COMP
50	301244000	NEEDLE
51	650223004	PRESSURE ADJUST LINK
52	650055003	SPRING
53	301066006	WASHER
54	301065005	SPRING
55	650052000	NEEDLE BAR ROD GUIDE PLATE
56	650054002	PRESSER BAR HOLDER
57	650022001	AID LEG
58	650053001	PRESSER BAR LIFER
59	650049004	PRESSER BAR MOUNT PLATE
60	250128006	WASHER
61	650050008	RELEASE LINK
62	000012315	SNAP PING 5D
63	000021007	SPRING WASHER
64	301009001	WASHER
65	000016032	SCREW
66	650265008	FINGER GUARD
67	650264007	BALANCE WHEEL DECOR PLATE
68	000000206	SNAP RING 4D

3

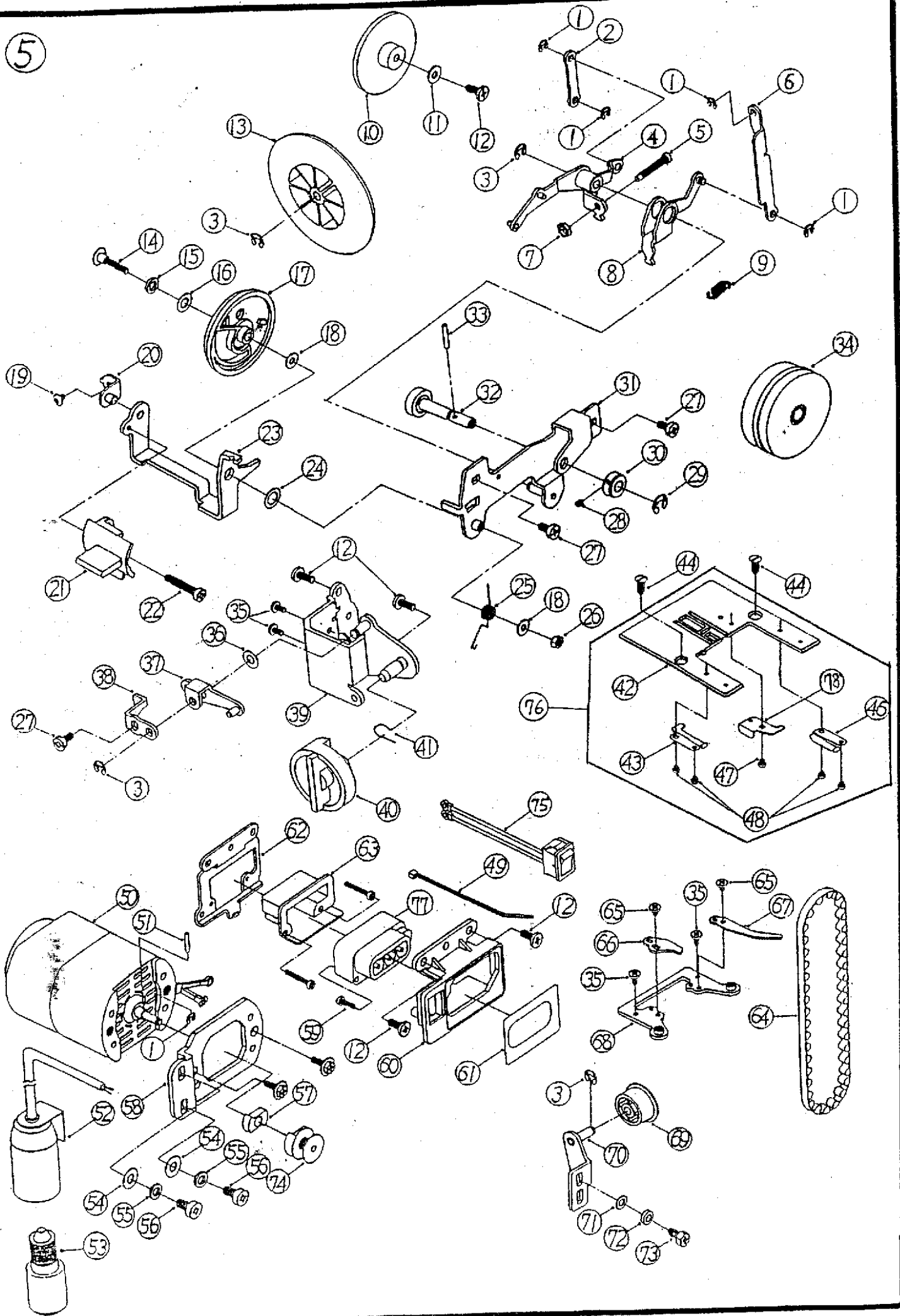


<u>ref</u> <u>no.</u>	<u>supbeen</u> <u>part no.</u>	<u>name of parts</u>
01	650135008	SPRING
02	000000309	SNAP RING 5D
03	000016010	SCREW
04	650133006	SHAFT
05	000057024	SET SCREW
06	000016021	SCREW
07	000055000	NUT
08	650137000	FEEDING INTERMEDIATE CRANK (B)
09	650136009	FEEDING INTERMEDIATE CRANK (A)
10	250087002	SET SCREW
11	650132005	FEEDING ADJUST RETAIN PLATE
12	650134007	FEEDING INTERMEDIATE CRANK
13	301046000	SET SCREW
14	650117004	FEEDING DOG BASE
15	650121001	FEED DOG
16	301175009	SET SCREW
17	000008031	SET SCREW
18	650119006	DROP FEED SHAFT BRACKET
19	650120000	FEEDING BASE PIN
20	650118005	FEED DOG LEVERT
21	000016032	SCREW
22	650116003	LOWER SHAFT
23	650125005	FORKED FORKED ROD SHAFT
24	650127007	FEEDING ADJUST SHAFT
25	650126006	FEEDING ADJUST CRANK
26	650124004	FORKED ROD
27	301177001	SET SCREW
28	301178002	SET SCREW
29	650128008	LOWER SHAFT PIN
30	250010004	SET SCREW
31	650129009	SPRING
32	610081004	BOBBIN
33	650258008	WASHER
34	610504008	BOBBIN CASE COMP
35	000009032	WASHER
36	650094004	GREASE PIPE
37	650095005	SHUTTLE SUPPORT SHAFT
38	610071104	HOOK RACE BODY
39	650092002	LINTS FREE CAP
40	650091001	SET PLATE
41	000009032	WASHER
42	000011233	SET SCREW
43	650096006	SET BASE
44	650105009	LOWER SHAFT
45	000000608	SNAP RING
46	650110007	CAM SET PIN
47	610035003	UPPER SHAFT BEARING
48	650108002	FEED LIFTING CAM
49	650109003	SPRING OF LIFTING CAM
50	650111008	LOWER SHAFT PULLEY
51	301087003	SET SCREW
52	750015004	COLLAR
53	650112009	FEED LIFTING CAM
54	450062007	PLASTIC WASHER
55	650114001	LOWER SHAFT COLLAR RETAIN PLATE
56	650131004	FEEDING BASE SPRING FRAME PLATE
57	301037008	SET SCREW
58	650130003	SPRING
59	650113000	LOWER SHAFT TIMING GEAR
60	650123003	FEED ROCK SHAFT CRANK



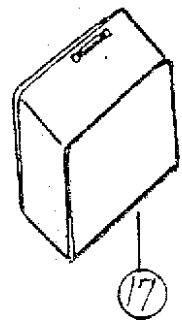
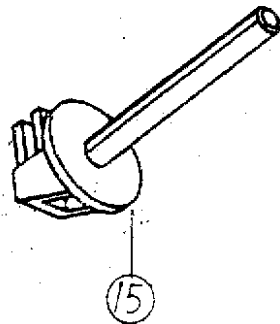
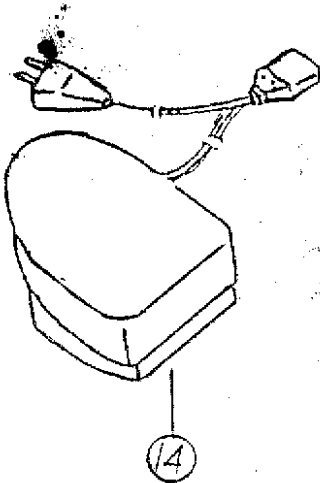
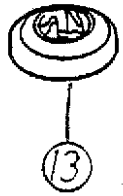
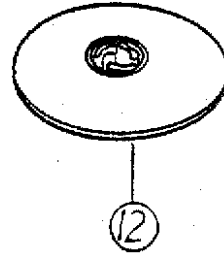
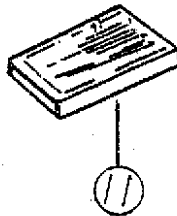
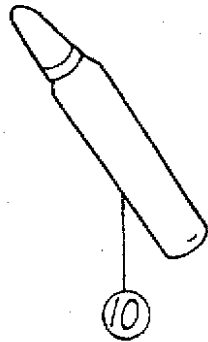
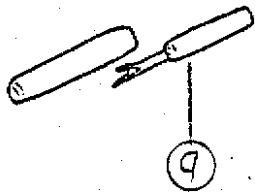
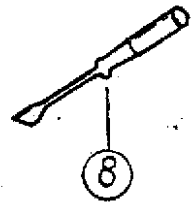
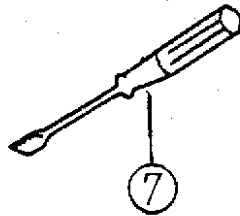
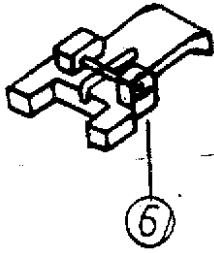
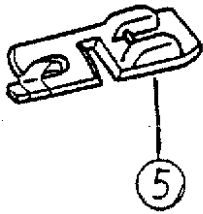
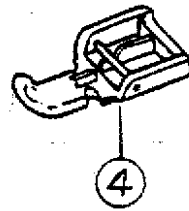
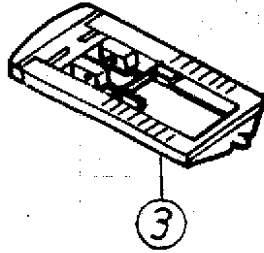
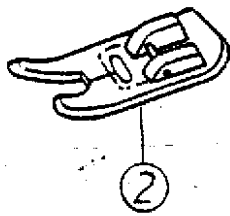
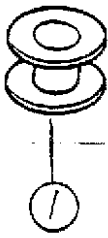
ref no.	sunbeen part no.	name of parts
01	000016010	SCREW
02	301008000	SET SCREW
03	000004015	NUT
04	650230004	THREAD GUIDE PIN
05	650039001	SPRING
06	650231005	SPRING HOLDER
07	000011288	SET SCREW
08	650068009	SPRING
09	650229000	THREAD GUIDE SPRING CATCH
10	650027006	GUIDING PLATE
11	380041000	SET SCREW
12	000014007	WASHER
13	650028007	THREAD CHECK PLATE
14	000003243	SPRING PIN
15	650228009	FORKED WASHER
16	650037009	THREAD ADJUST DIAL
17	650036008	TENSION ADJUST PLATE
18	000000206	SNAP RING 4D
19	650035007	ELESTICITY ADJUST
20	650034006	SPRING
21	650033005	SPRING FIX PLATE
22	650032004	RELEASE PLATE
23	650031003	TENSION DISC (RIGHT)
24	650030002	TENSION DISC (LEFT)
25	650029008	TENSION SHAFT
26	301022000	BOBBIN WINDER SHAFT PIN
27	650046001	BOBBIN WINDER SHAFT
28	000000309	SNAP RING 5D
29	650045000	WINDING ROD
30	250087002	SET SCREW
31	650041006	WINDING ROD BASE
32	650042007	CLUTCH LINK
33	000034003	SET SCREW
34	650254004	SPRING
35	650048003	SPRING
36	353030002	RUBBER RING
37	353029008	COIL
38	650066007	WIDTH LINK (3D)
39	650067008	WIDTH ECCENTRIC PIN
40	000016032	SCREW
41	301037008	SET SCREW
42	000000103	SNAP RING 3D
43	650153002	CLUTCHING PLATE
44	650155004	SPRING
45	650154003	PIN
46	650152001	B/H CAM
47	650150009	PATTERN CAM(WIDTH)
48	650148004	PATTERN CAM SHAFT
49	301046000	SET SCREW
50	750015004	COLLAR
51	650169001	SELECTING CAM SHAFT
52	650211009	PATTERN CAM(2D)
53	650151000	PATTERN CAM (TRANS)
54	000000608	SNAP RING
55	650156005	B/H CHANGE LINK
56	650157006	B/H CHANGE ROD
57	301289007	SET SCREW
58	650164109	B/H INTERMEDIATE ROD(TRANS)
59	650165100	B/H CONNECTING PLATE(TRANS)
60	301151009	NUT
		61 301193003 NUT
		62 650162004 CONNECTING PLATE(TRANS)
		63 650147003 MOUNTING PLATE
		64 650161003 CONNECTING PLATE (TRANS)
		65 650187108 SELECTING ROD(TRANS)
		66 650190001 SPRING
		67 650168000 SPRING
		68 650188006 SELECTING ROD BASE
		69 650146105 FRONT MOUNTING PLATE
		70 650175000 SPRING
		71 250128006 WASHER
		72 650174009 DECLUTCHING ROD
		73 650189007 DECLUTCHING ROD PIN
		74 000055000 NUT
		75 000057024 SET SCREW
		76 000004015 NUT
		77 000057013 SET SCREW
		78 650173008 DECLUTCHING ROD SHAFT
		79 650158007 CONNECTING PLATE SHAFT
		80 650165007 B/H CONNECTING PLATE(WIDTH)
		81 650164006 B/H INTERMEDIATE (WIDTH)
		82 650162107 CONNECTING PLATE(WIDTH)
		83 650212000 CONNECTING GUIDE PLATE
		84 650213001 WIDTH CONTROL LINK
		85 650214002 ADJUST PIN (SD,2D)
		86 000013109 WAVE WASHER
		87 000004059 NUT
		88 650187005 SELECTING ROD (WIDTH)
		89 301008000 SET SCREW
		90 650619001 TENSION COMP (A)
		91 650619104 TENSION COMP (B)
		92 650615100 PATTERN CAM W/O WIDTH COMP

5

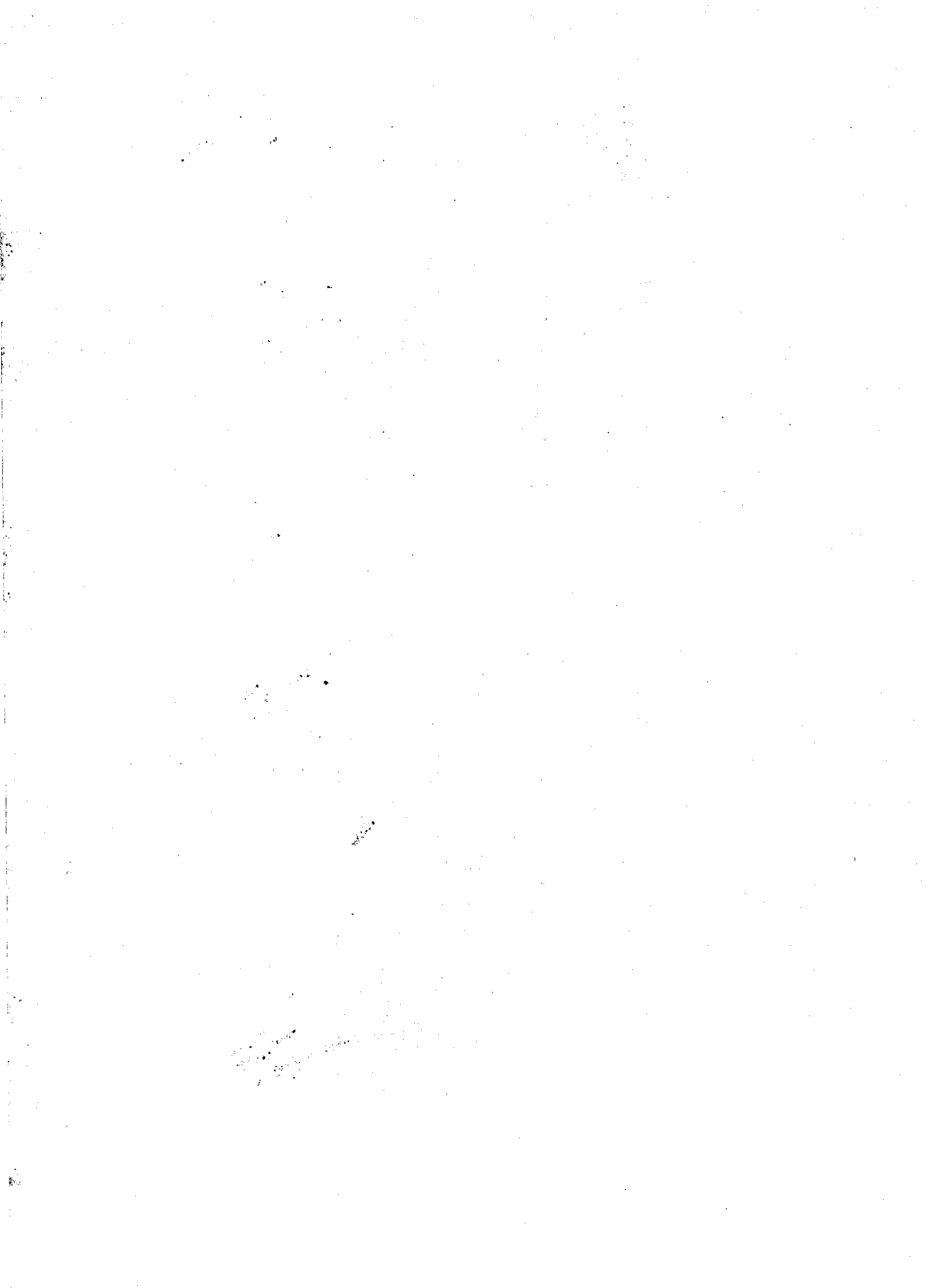


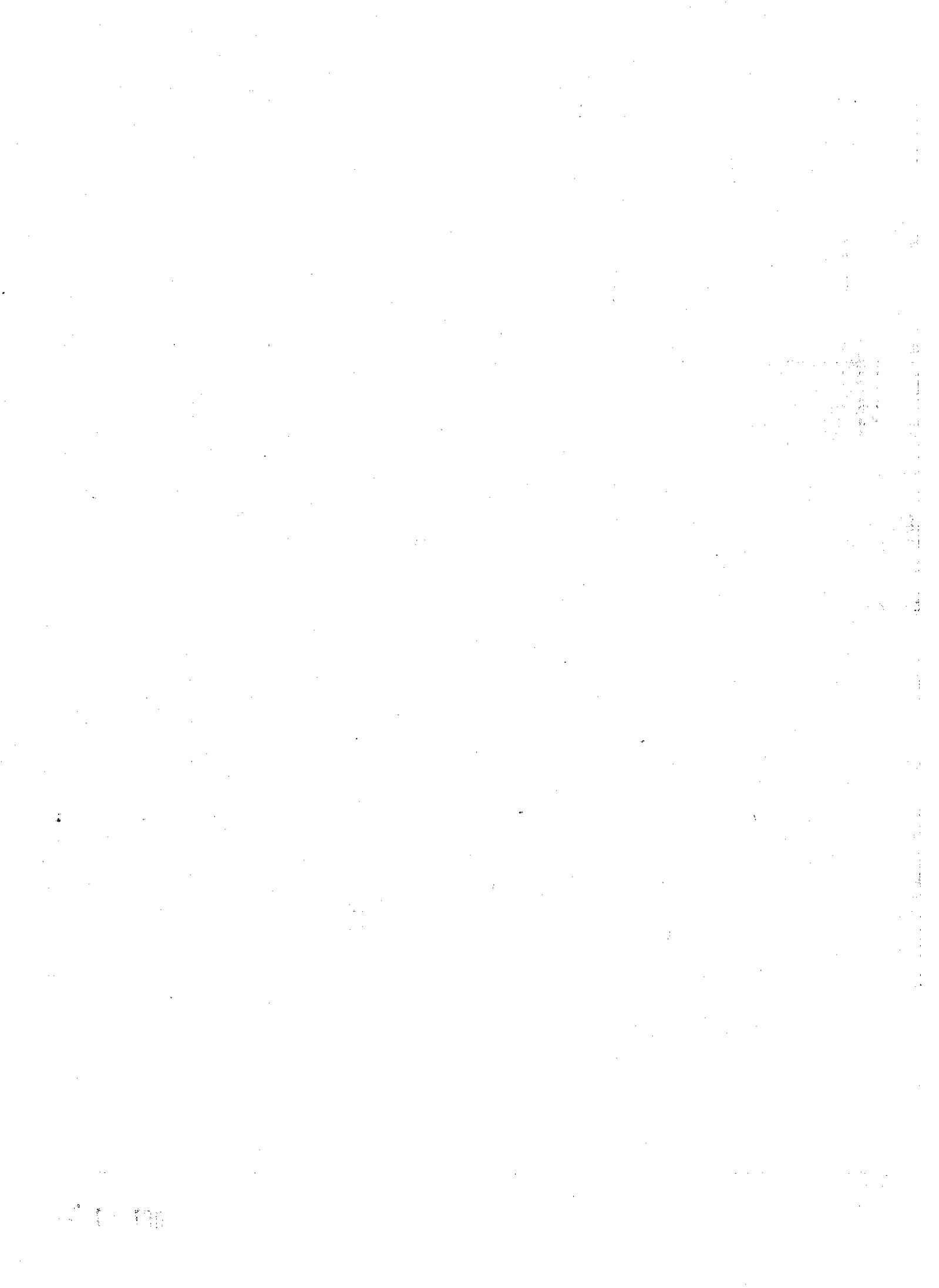
ref no.	sunbeen part no.	name of parts
01	000000103	SNAP RING 3D
02	650181009	TRANSMISSION LINK
03	000000206	SNAP RING 4D
04	650180008	TRANS ADJUST ROD
05	000057024	SET SCREW
06	650163005	REVERSE TRANS LINK
07	000055000	NUT
08	650178003	REVERSE TRANS ROD
09	650179004	SPRING
10	650171006	PATTERN CAM
11	301009001	WASHER
12	000016032	SCREW
13	650262005	PATTERN ROTARY
14	650167009	TRANSMISSION ROD
15	000013109	WAVE WASHER
16	260022000	WASHER
17	650182011	STITCH LENGTH DIAL
18	000014328	WASHER
19	301234007	SET SCREW
20	650186004	REVERSE SEWING BASE
21	650184002	REVERSE DIAL
22	000019105	SET SCREW
23	650183001	REVERSE SEWING ROD
24	360077003	WASHER
25	650185003	SPRING
26	301151009	NUT
27	250087002	SET SCREW
28	255004000	SCREW
29	000000309	SNAP RING 5D
30	750092005	COLLAR
31	650176001	SELECT DIAL SUPPORT PLATE
32	650177002	SELECTION DIAL GEAR SET
33	650154003	PIN
34	650191002	PATTERN SELECTION DIAL
35	000016010	SCREW
36	260022000	WASHER
37	650225006	NEEDLE BAR ROD GUIDE
38	650219007	PRESSURE ADJUST ROD (B)
39	650021000	SEW LIGHT MOUNTING PLATE
40	650222003	PRESSURE ADJUST DIAL
41	650218006	SPRING
42	650085002	NEEDLE PLATE
43	650271007	SLIDE PLATE SPRING (LEFT)
44	301261003	SET SCREW
45	650088005	BOBBIN CASE STOPPER
46	650086106	SLIDE PLATE SPRING (RIGHT)
47	000019172	SET SCREW
48	000019149	SET SCREW
49	351047006	BAND
50	650808009	MOTOR COMP
51	000003807	SPRING PIN 2*14
52	650801002	CORD COMP
53	650816000	LIGHT BULB
54	000014281	WASHER
55	450063008	SPRING WASHER
56	301143008	SET SCREW
57	301294005	MOTOR CLUTH
58	650202007	MOTOR BRACKET
59	000011233	SET SCREW
60	650203008	RECEPTACLE BASE
61	650236000	RECEPTACLE PLATE
62	650206001	RECEPT MOUNT PLATE
63	650198009	RECEPTACLE CAP
64	650200005	MOTOR BELT
65	000016009	SCREW
66	650104008	BOBBIN CASE STOP PLATE
67	650234008	BOBBIN CASE STOP PLATE
68	650090000	NEEDLE PLATE FIX PLATE
69	650084001	BELT TENSION ADJUST PULLEY
70	650083000	ADJUST PULLEY PLATE
71	301245001	WASHER
72	000021007	SPRING WASHER
73	000020051	SET SCREW
74	650508006	MOTOR PULLEY COMP
75	650804005	SWITCH COMP
76	650603002	NEEDLE PLATE COMP
77	000061010	RECEPTABLE
78	650255005	BOBBIN CASE STOPPER

6



<u>ref no.</u>	<u>sunbeen part no.</u>	<u>name of parts</u>
01	610081004	BOBBIN
02	610412008	Z/Z FOOT
03	303401003	BUTTONHOLE FOOT
04	610411007	ZIPPER FOOT
05	610409002	HEMMER FOOT
06	301406002	BUTTON SEWING FOOT
07	301439004	SCREW DIRVER (L)
08	301440008	SCREW DRIVER (S)
09	303403005	BUTTONHOLE KNIFE
10	353409006	OIL KETTLE
11	301652304	NEEDLE BOX COMP
12	610401015	SPOOL PIN PLATE
13	610414011	SPOOL PIN PLATE B
14	270814008	CONTROLLER COMP (230V)
15	650403000	AUXIL. SPOOL PIN
16	651408008	INSTRUCTION MANUAL
17	353435001	DUST COVER





OCT - 1 1999