

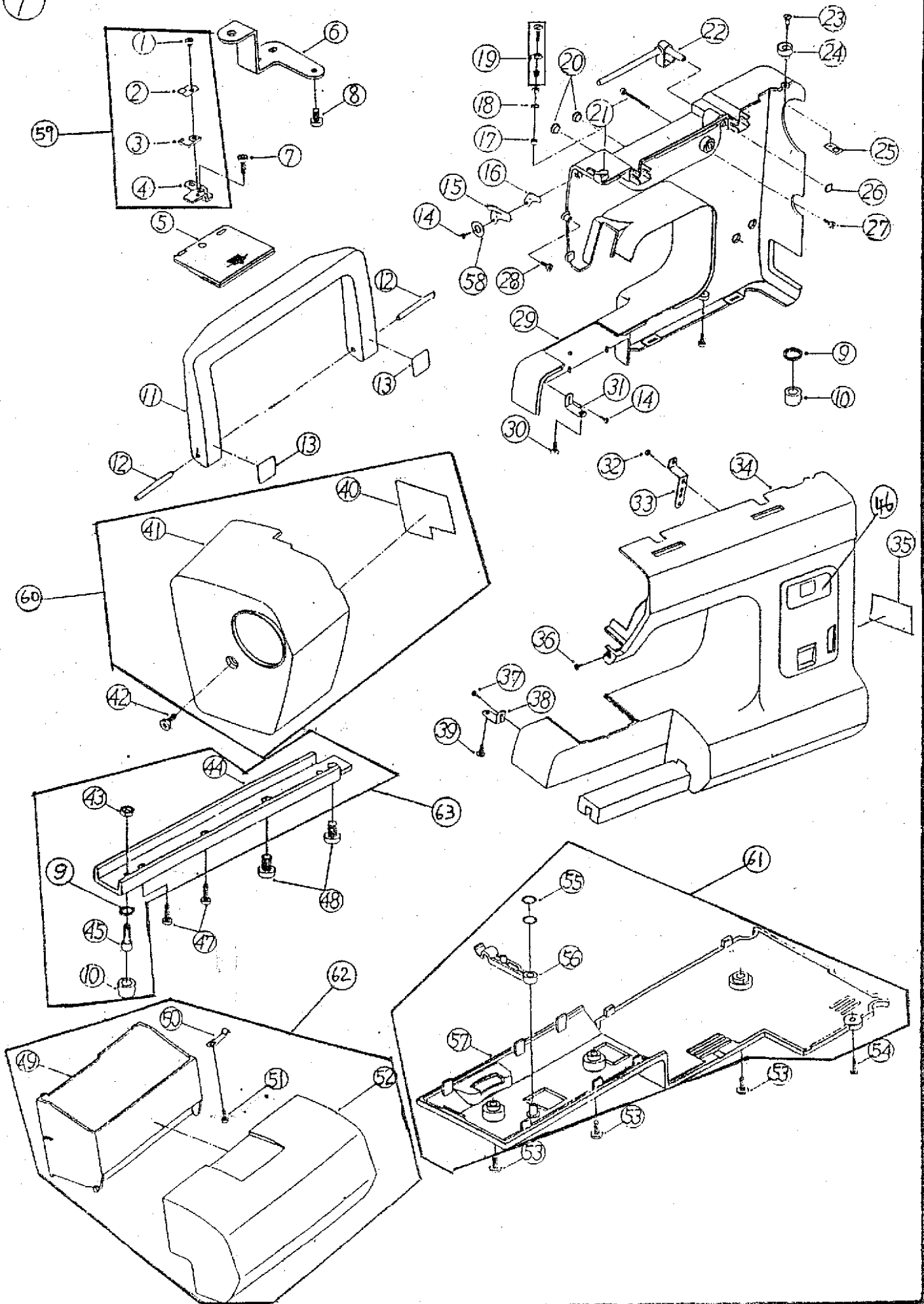
PARTS LIST

\*\*\*\*\*

MODEL: NECCHI 312

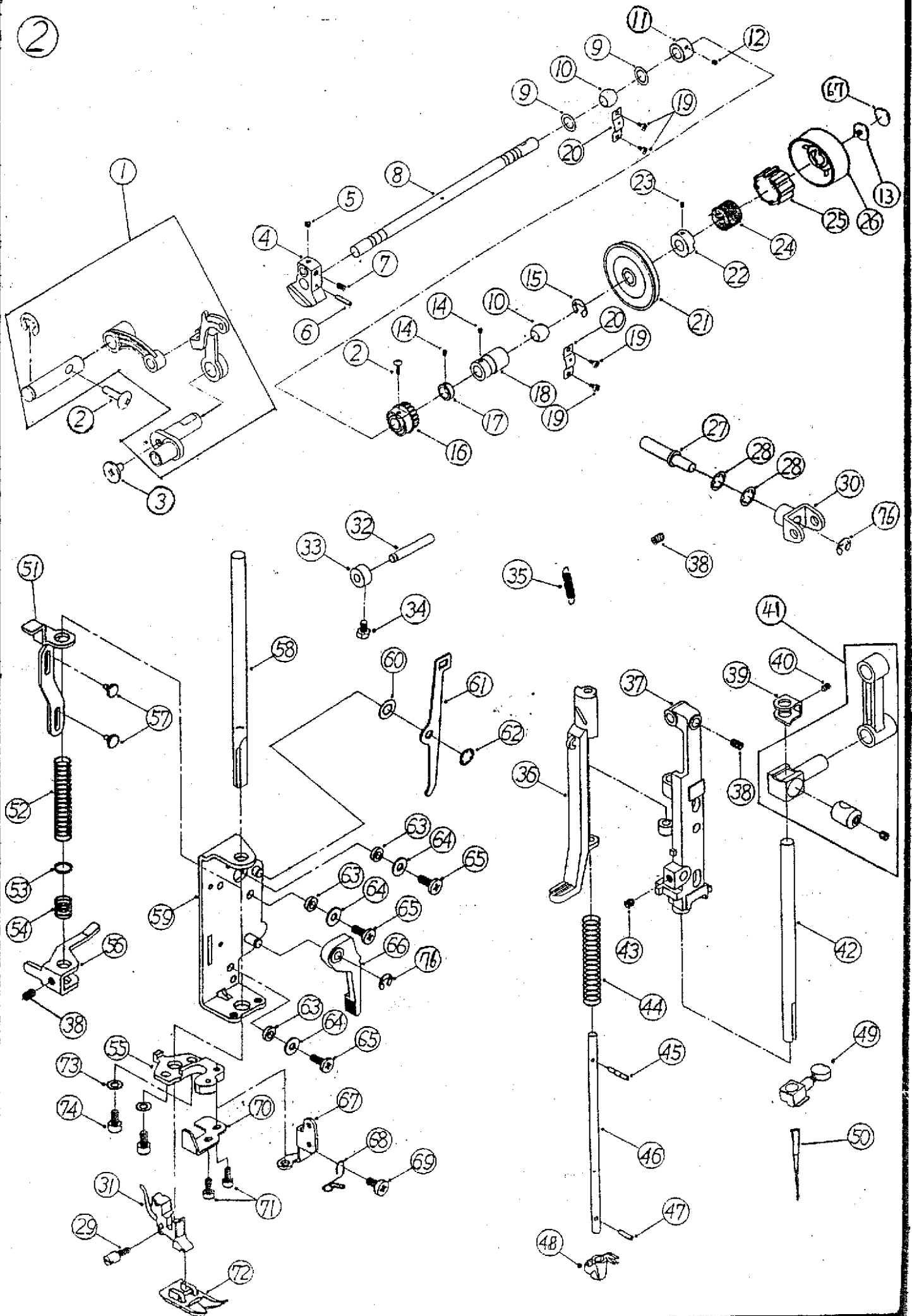
SUNBEEN PRECISION MACHINE INC.

1



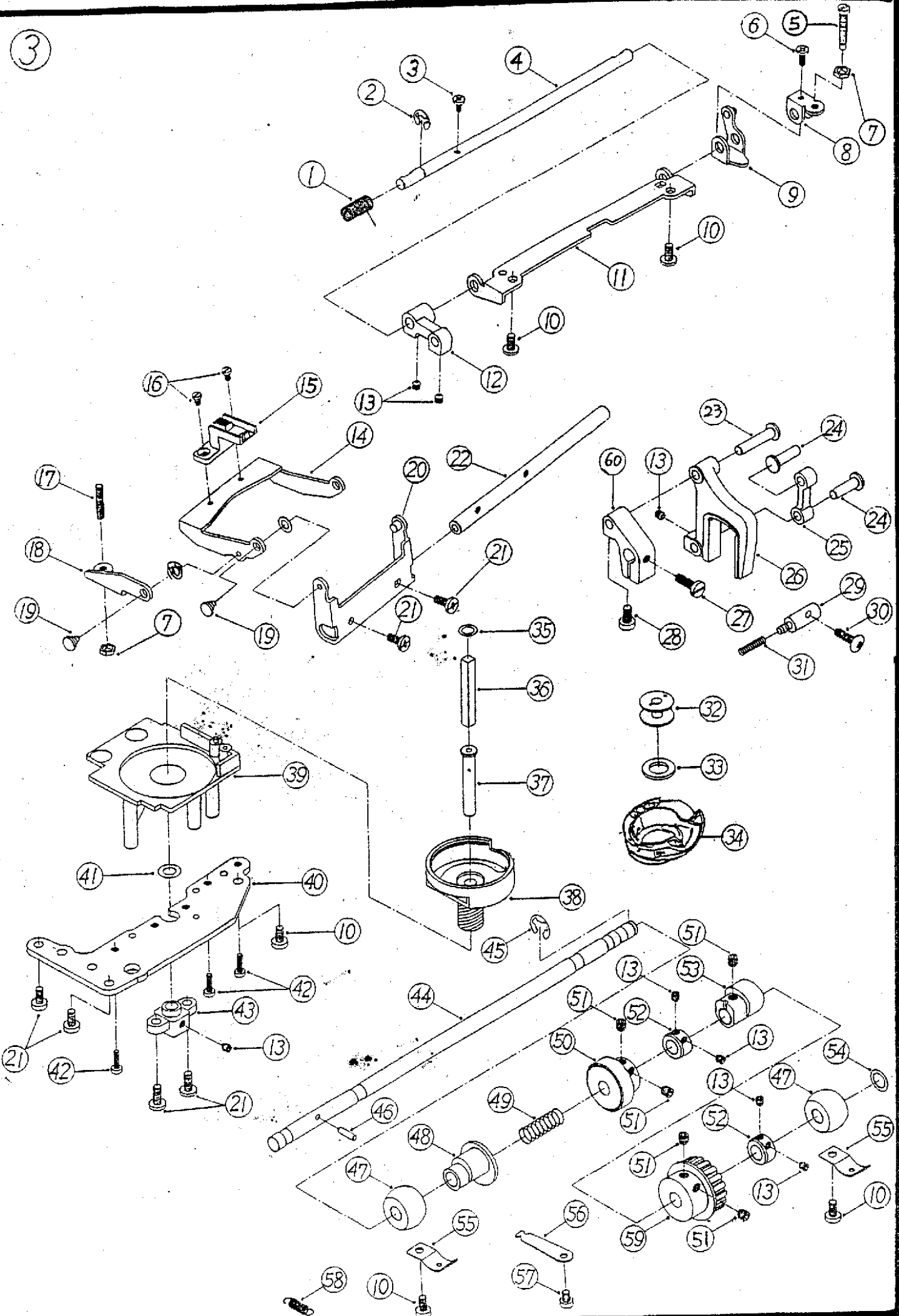
ref no.	sunbeam part no.	name of parts
01	000017044	SET SCREW
02	650099009	STOPPER PLATE'S CATCH
03	650098008	BOBBIN CASE STOPPER PLATE
04	650097007	BOBBIN CASE STOPPER PLATE BASE
05	650089006	BOBBIN SEE-THRU WINDOW
06	650006009	FIX PLATE (B)
07	000011233	SET SCREW
08	301008000	SET SCREW
09	650257007	CUSHION SPRING
10	650013009	RUBBER FOOT
11	650010006	HANDLE
12	650011007	HANDLE PIN
13	650256006	HANDLE INSERT
14	000011222	SET SCREW
15	650008001	THREAD GUIDE PLATE
16	650009002	SPRING
17	650005008	NUT
18	000055000	NUT
19	650501009	THREAD GUIDE SHAFT COMP.
20	250125014	ADJUSTING HOLE PLUG(W)
21	000019150	SET SCREW
22	650012008	SPOOL PIN
23	353128008	SET SCREW
24	380067002	BOBBIN WINDER STOPPER
25	650004007	FIX PLATE (A)
26	000012304	SNAP PING 6D
27	000011901	SET SCREW
28	000011901	SET SCREW
29	650003006	REAR COVER
30	000016032	SCREW
31	650007000	FIX PLATE (C)
32	000011222	SET SCREW
33	650020009	FIX PLATE (D)
34	650018063	FRONT COVER
35	650260106	RATING PLATE
36	000016010	SCREW
37	000011222	SET SCREW
38	650007000	FIX PLATE (C)
39	000016032	SCREW
40	270092002	FACE PLATE HEAT-SHIELD PLATE
41	650014000	FACE PLATE
42	000016032	SCREW
43	000055000	NUT
44	650022001	AID LEG
45	650023002	SET SCREW
46	650019005	STITCH WINDOW
47	000011233	SET SCREW
48	301143008	SET SCREW
49	650016002	ACCESSORIES COMPARTMENT
50	650017003	SPRING
51	000011222	SET SCREW
52	650015001	EXTENSION TABLE COMP
53	000016032	SCREW
54	000011901	SET SCREW
55	000012315	SNAP PING 5D
56	650026005	VERTICAL TRANSMISSION DIAL
57	650025004	BED
58	000014007	WASHER
59	650604003	BOBBIN CASE STOP SPRING COMP
60	650628003	FACE PLATE COMP
61	650623008	BOTTOM COVER COMP
62	650624009	EXTENSION TABLE COMP
63	650625000	SUPPORT LEG COMP

2

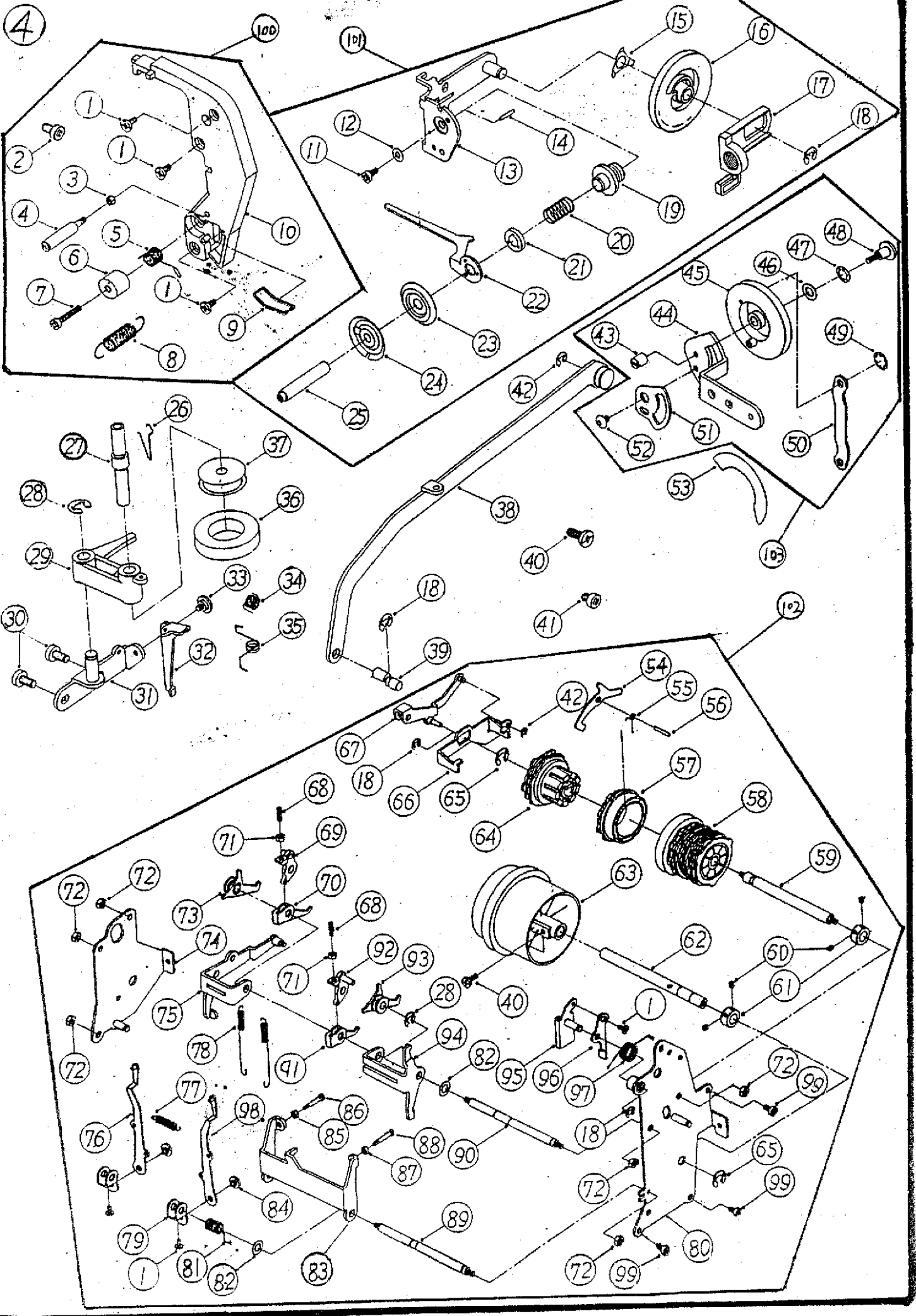


ref no.	sunbeen part no.	name of parts
01	650509007	THREAD TAKE UP LEVER COMP
02	250010004	SET SCREW
03	301100003	SET SCREW
04	301083009	THREAD TAKE-UP CRANK
05	301068008	SET SCREW
06	000003508	SPRING PIN 4*20
07	301084000	SET SCREW
08	650071005	UPPER SHAFT
09	301086002	NYION WASHER
10	250002003	FORNT BUSHING
11	301340203	COLLAR
12	301087003	SET SCREW
13	650081008	HAND WHEEL FIX SCREW
14	301093002	UPPER SHAFT SET SCREW
15	000000907	"E" RING
16	650073007	UPPER SHAFT TIMING GEAR
17	370163101	COLLAR
18	650074008	WORM GEAR SHAFT
19	301008000	SET SCREW
20	650079003	COLLAR RETAIN PLATE
21	650075009	MOTOR BELT PULLEY
22	650076000	CLUTCH SHAFT COLLAR
23	301087003	SET SCREW
24	650078002	SPRING
25	650077001	CLUTCH
26	650080007	HAND WHEEL
27	650193107	NEEDLE BAR ROD SHAFT
28	000013110	WAVE WASHER
29	610012004	SCREW
30	650056107	NEEDLE BAR ROD SUPPORT
31	301522108	PRESSER FOOT HOLDER
32	650059007	PIN
33	360018006	COLLAR 5*12 t=6.5
34	301049003	SET SCREW
35	650065006	SPRING
36	650062003	AUTO THREADER
37	650058006	NEEDLE BAR ROD
38	000023021	SCREW
39	650061002	THREADING POSITIONER
40	255004000	SCREW
41	301503000	NEEDLE HOLDER
42	650060001	NEEDLE BAR
43	301046000	SET SCREW
44	650064005	SPRING
45	650192003	PIN
46	650063004	THREADER BAR
47	000003221	SPRING PIN
48	610502006	THREADING GUIDE COMP
49	260502009	NEEDLE CLAMP COMP
50	301244000	NEEDLE
51	650223004	PRESSURE ADJUST LINK
52	650055003	SPRING
53	301066006	WASHER
54	301065005	SPRING
55	650052000	NEEDLE BAR ROD GUIDE PLATE
56	650054002	PRESSER BAR HOLDER
57	650022001	AID LEG
58	650053001	PRESSER BAR LIFER
59	650049004	PRESSER BAR MOUNT PLATE
60	250128006	WASHER
61	650050008	RELEASE LINK
62	000012315	SNAP PING 5D
63	000021007	SPRING WASHER
64	301009001	WASHER
65	000016032	SCREW
66	650051009	PRESSER BAR LIFTER
67	650249006	FRONT COVER SET PLATE
68	650195006	THREAD GUIDE
69	250087002	SET SCREW
70	650233007	NEEDLE BAR STOPPING PLATE
71	000015064	HEXAGON NUT
72	610412008	Z/Z FOOT
73	301245001	WASHER
74	000015019	SCREW
75	650264007	BALANCE WHEEL DECOR PLATE
76	000000206	SNAP RING 4D

3



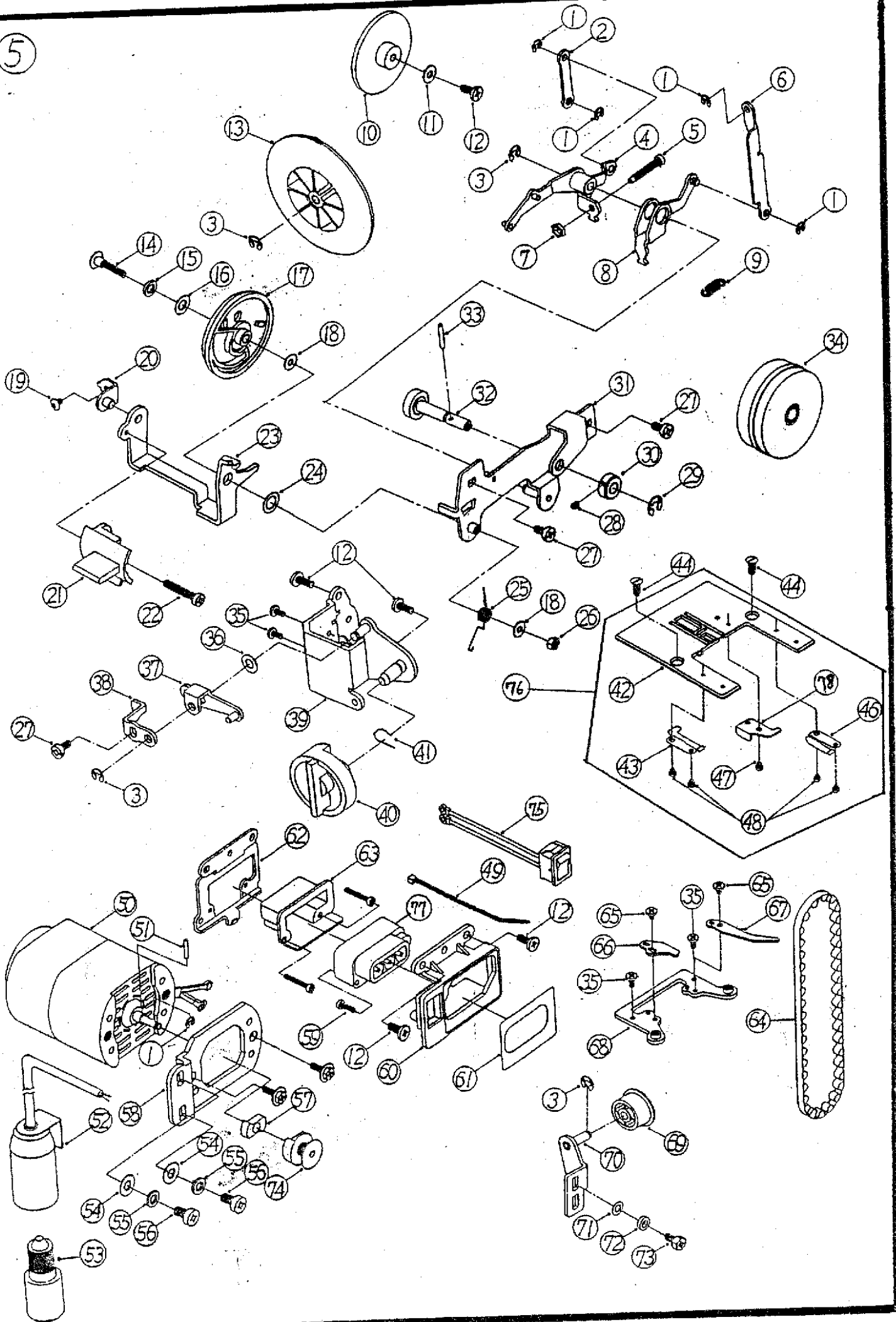
<u>ref no.</u>	<u>sunbeen part no.</u>	<u>name of parts</u>
01	650135008	SPRING
02	000000309	SNAP RING 5D
03	000016010	SCREW
04	650133006	SHAFT
05	000057024	SET SCREW
06	000016021	SCREW
07	000055000	NUT
08	650137000	FEEDING INTERMEDIATE CRANK (B)
09	650136009	FEEDING INTERMEDIATE CRANK (A)
10	250087002	SET SCREW
11	650132005	FEEDING ADJUST RETAIN PLATE
12	650134007	FEEDING INTERMEDIATE CRANK
13	301046000	SET SCREW
14	650117004	FEEDING DOG BASE
15	650121001	FEED DOG
16	301175009	SET SCREW
17	000008031	SET SCREW
18	650119006	DROP FEED SHAFT BRACKET
19	650120000	FEEDING BASE PIN
20	650118005	FEED DOG LEVERT
21	000016032	SCREW
22	650116003	LOWER SHAFT
23	650125005	FORKED FORKED ROD SHAFT
24	650127007	FEEDING ADJUST SHAFT
25	650126006	FEEDING ADJUST CRANK
26	650124004	FORKED ROD
27	301177001	SET SCREW
28	301178002	SET SCREW
29	650128008	LOWER SHAFT PIN
30	250010004	SET SCREW
31	650129009	SPRING
32	610081004	BOBBIN
33	650258008	WASHER
34	610504008	BOBBIN CASE COMP
35	000009032	WASHER
36	650094004	GREASE PIPE
37	650095005	SHUTTLE SUPPORT SHAFT
38	610071104	HOOK RACE BODY
39	650092002	LINTS FREE CAP
40	650091001	SET PLATE
41	000009032	WASHER
42	000011233	SET SCREW
43	650096006	SET BASE
44	650105009	LOWER SHAFT
45	000000608	SNAP RING
46	650110007	CAM SET PIN
47	610035003	UPPER SHAFT BEARING
48	650108002	FEED LIFTING CAM
49	650109003	SPRING OF LIFTING CAM
50	650111008	LOWER SHAFT PULLEY
51	301087003	SET SCREW
52	750015004	COLLAR
53	650112009	FEED LIFTING CAM
54	450062007	PLASTIC WASHER
55	650114001	LOWER SHAFT COLLAR RETAIN PLATE
56	650131004	FEEDING BASE SPRING FRAME PLATE
57	301037008	SET SCREW
58	650130003	SPRING
59	650113000	LOWER SHAFT TIMING GEAR
60	650123003	FEED ROCK SHAFT CRANK





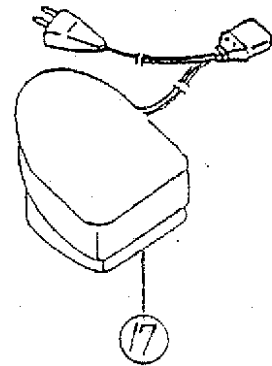
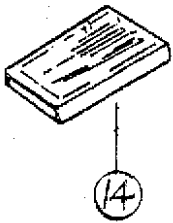
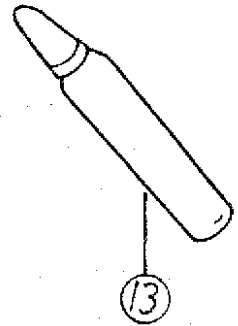
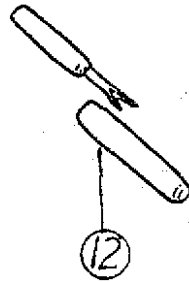
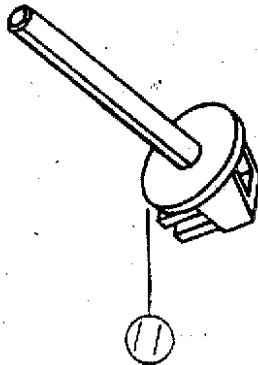
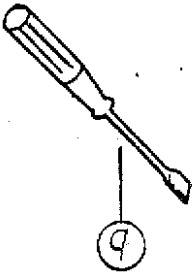
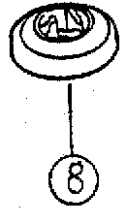
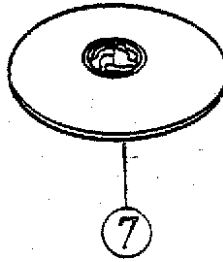
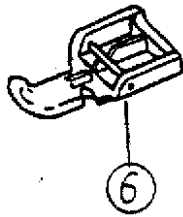
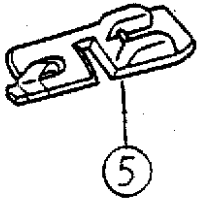
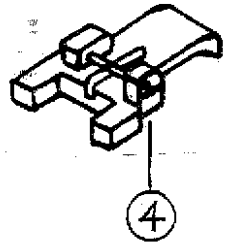
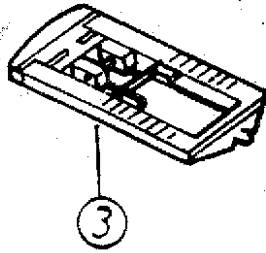
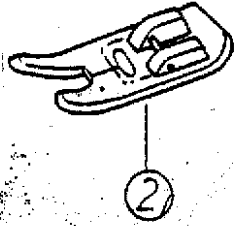
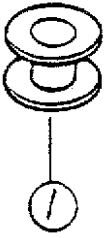
ref no.	subpart no.	name of parts			
01	000016010	SCREW	61	750015004	COLLAR
02	301008000	SET SCREW	62	650169001	SELECTING CAM SHAFT
03	000004015	NUT	63	650170005	SELECTING CAM 3D
04	650230004	THREAD GUIDE PIN	64	650151000	PATTERN CAM (TRANS)
05	650039001	SPRING	65	000000608	SNAP RING
06	650231005	SPRING HOLDER	66	650156005	B/H CHANGE LINK
07	000011288	SET SCREW	67	650157006	B/H CHANGE ROD
08	650068009	SPRING	68	301289007	SET SCREW
09	650229000	THREAD GUIDE SPRING CATCH	69	650164109	B/H INTERMEDIATE ROD(TRANS)
10	650027006	GUIDING PLATE	70	650165100	B/H CONNECTING PLATE(TRANS)
11	380041000	SET SCREW	71	301151009	NUT
12	000014007	WASHER	72	301193003	NUT
13	650028007	THREAD CHECK PLATE	73	650162004	CONNECTING PLATE(TRANS)
14	000003243	SPRING PIN	74	650147003	MOUNTING PLATE
15	650228009	FORKED WASHER	75	650161003	CONNECTING PLATE (TRANS)
16	650037009	THREAD ADJUST DIAL	76	650187108	SELECTING ROD(TRANS)
17	650036008	TENSION ADJUST PLATE	77	650190001	SPRING
18	000000206	SNAP RING 4D	78	650168000	SPRING
19	650035007	ELESTICITY ADJUST	79	650188006	SELECTING ROD BASE
20	650034006	SPRING	80	650146002	MOUNTING PLATE (FRONT) 3D
21	650033005	SPRING FIX PLATE	81	650175000	SPRING
22	650032004	RELEASE PLATE	82	250128006	WASHER
23	650031003	TENSION DISC (RIGHT)	83	650174009	DECLUTCHING ROD
24	650030002	TENSION DISC (LEFT)	84	650189007	DECLUTCHING ROD PIN
25	650029008	TENSION SHAFT	85	000055000	NUT
26	301022000	BOBBIN WINDER SHAFT PIN	86	000057024	SET SCREW
27	650046001	BOBBIN WINDER SHAFT	87	000004015	NUT
28	000000309	SNAP RING 5D	88	000057013	SET SCREW
29	650045000	WINDING ROD	89	650173008	DECLUTCHING ROD SHAFT
30	250087002	SET SCREW	90	650158007	CONNECTING PLATE SHAFT
31	650041006	WINDING ROD BASE	91	650165007	B/H CONNECTING PLATE(WIDTH)
32	650042007	CLUTCH LINK	92	650164006	B/H INTERMEDIATE (WIDTH)
33	000034003	SET SCREW	93	650162107	CONNECTING PLATE(WIDTH)
34	650254004	SPRING	94	650159008	CONNECTING PLATE GUIDE (3D)
35	650048003	SPRING	95	650143009	WIDTH CONTROL (3D)
36	353030002	RUBBER RING	96	650144000	WIDTH ROD (3D)
37	353029008	COIL	97	650145001	SPRING
38	650066007	WIDTH LINK (3D)	98	650187005	SELECTING ROD (WIDTH)
39	650067008	WIDTH ECCENTRIC PIN	99	301008000	SET SCREW
40	000016032	SCREW	100	650619104	TENSION COMP (B)
41	301037008	SET SCREW	101	650619001	TENSION COMP (A)
42	000000103	SNAP RING 3D	102	650615007	PATTERN CAM COMP
43	650253003	NUT	103	650616008	WIDTH DIAL COMP
44	650139002	WIDTH DIAL BASE			
45	650140006	WIDTH DIAL			
46	000014339	WASHER			
47	000013109	WAVE WASHER			
48	000030009	SET SCREW			
49	000012201	SANP PING 4D			
50	650141007	WIDTH DIAL LINK (3D)			
51	650251001	WIDTH STOPPER			
52	301234007	SET SCREW			
53	650252002	WIDTH INDICATION STICKER			
54	650153002	CLUTCHING PLATE			
55	650155004	SPRING			
56	650154003	PIN			
57	650152001	B/H CAM			
58	650150009	PATTERN CAM(WIDTH)			
59	650148004	PATTERN CAM SHAFT			
60	301046000	SET SCREW			

5

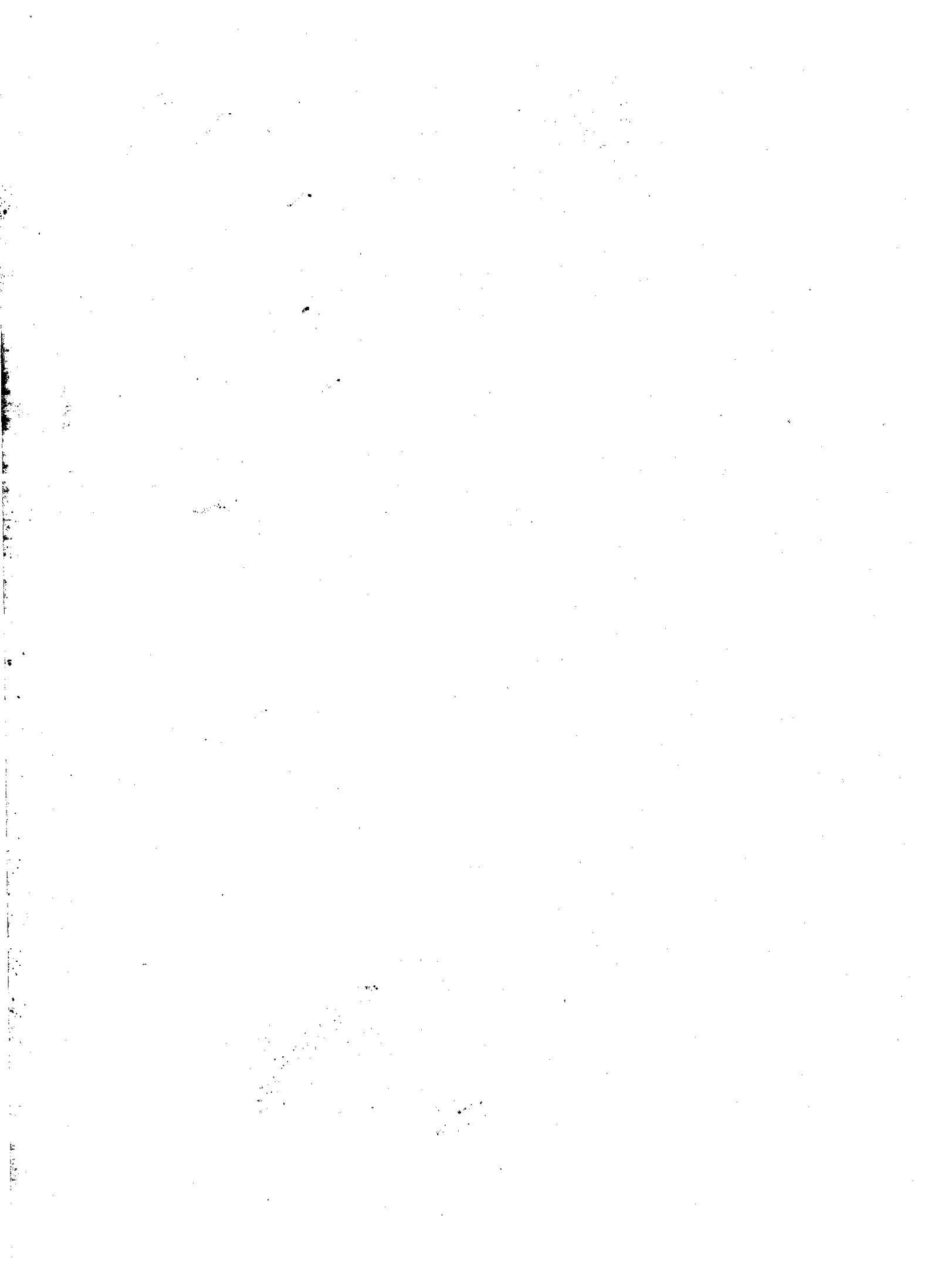


ref no.	sunbeen part no.	name of parts
01	000000103	SNAP RING 3D
02	650181009	TRANSMISSION LINK
03	000000206	SNAP RING 4D
04	650180008	TRANS ADJUST ROD
05	000057024	SET SCREW
06	650163005	REVERSE TRANS LINK
07	000055000	NUT
08	650178003	REVERSE TRANS ROD
09	650179004	SPRING
10	650171006	PATTERN CAM
11	301009001	WASHER
12	000016032	SCREW
13	650262005	PATTERN ROTARY
14	650167009	TRANSMISSION ROD
15	000013109	WAVE WASHER
16	260022000	WASHER
17	650182011	STITCH LENGTH DIAL
18	000014328	WASHER
19	301234007	SET SCREW
20	650186004	REVERSE SEWING BASE
21	650184002	REVERSE DIAL
22	000019105	SET SCREW
23	650183001	REVERSE SEWING ROD
24	360077003	WASHER
25	650185003	SPRING
26	301151009	NUT
27	250087002	SET SCREW
28	255004000	SCREW
29	000000309	SNAP RING 5D
30	750092005	COLLAR
31	650176001	SELECT DIAL SUPPORT PLATE
32	650177002	SELECTION DIAL GEAR SET
33	650154003	PIN
34	650191002	PATTERN SELECTION DIAL
35	000016010	SCREW
36	260022000	WASHER
37	650225006	NEEDLE BAR ROD GUIDE
38	650219007	PRESSURE ADJUST ROD (B)
39	650021000	SEW LIGHT MOUNTING PLATE
40	650222003	PRESSURE ADJUST DIAL
41	650218006	SPRING
42	650085002	NEEDLE PLATE
43	650271007	SLIDE PLATE SPRING
44	301261003	SET SCREW
45	650088005	BOBBIN CASE STOPPER
46	650086106	SLIDE PLATE SPRING
47	000019172	SET SCREW
48	000019149	SET SCREW
49	351047006	BAND
50	650808009	MOTOR COMP
51	000003807	SPRING PIN 2*14
52	650801002	CORD COMP
53	650816000	LIGHT BULB
54	000014281	WASHER
55	450063008	SPRING WASHER
56	301143008	SET SCREW
57	301294005	MOTOR CLUTH
58	650202007	MOTOR BRACKET
59	000011233	SET SCREW
60	650203008	RECEPTACLE BASE
61	650236000	RECEPTACLE PLATE
62	650206001	RECEPT MOUNT PLATE
63	650198009	RECEPTACLE CAP
64	650200005	MOTOR BELT
65	000016009	SCREW
66	650104008	BOBBIN CASE STOP PLATE
67	650234008	BOBBIN CASE STOP PLATE
68	650090000	NEEDLE PLATE FIX PLATE
69	650084001	BELT TENSION ADJUST PULLEY
70	650083000	ADJUST PULLEY PLATE
71	301245001	WASHER
72	000021007	SPRING WASHER
73	000020051	SET SCREW
74	650508006	MOTOR PULLEY COMP
75	650804005	SWITCH COMP
76	650603002	NEEDLE PLATE COMP
77	000061010	RECEPTACLE
78	650255005	BOBBIN CASE STOPPER

6



<u>ref no.</u>	<u>sunbeen part no.</u>	<u>name of parts</u>
01	610081004	BOBBIN
02	610412008	Z/Z FOOT
03	303401003	BUTTONHOLE FOOT
04	301406002	BUTTON SEWING FOOT
05	610409002	HEMMER FOOT
06	610411007	ZIPPER FOOT
07	610401015	SPOOL PIN PLATE
08	610414011	SPOOL PIN PLATE B
09	301439004	SCREW DIRVER (L)
10	301440008	SCREW DRIVER (S)
11	650403000	AUXIL. SPOOL PIN
12	303403005	BUTTONHOLE KNIFE
13	353409006	OIL KETTLE
14	301652304	NEEDLE BOX COMP
15	651408008	INSTRUCTION MANUAL
16	353435001	DUST COVER
17	270814008	CONTROLLER COMP (230V)





OCT - 1 1999