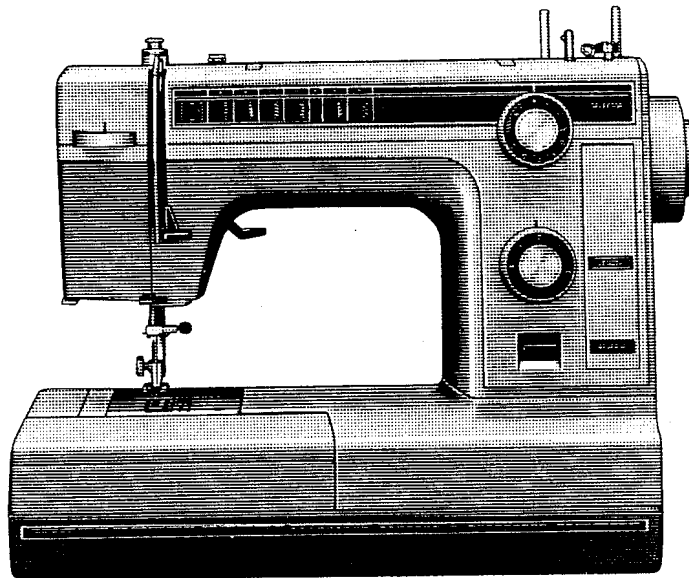


# *Servicing Manual*

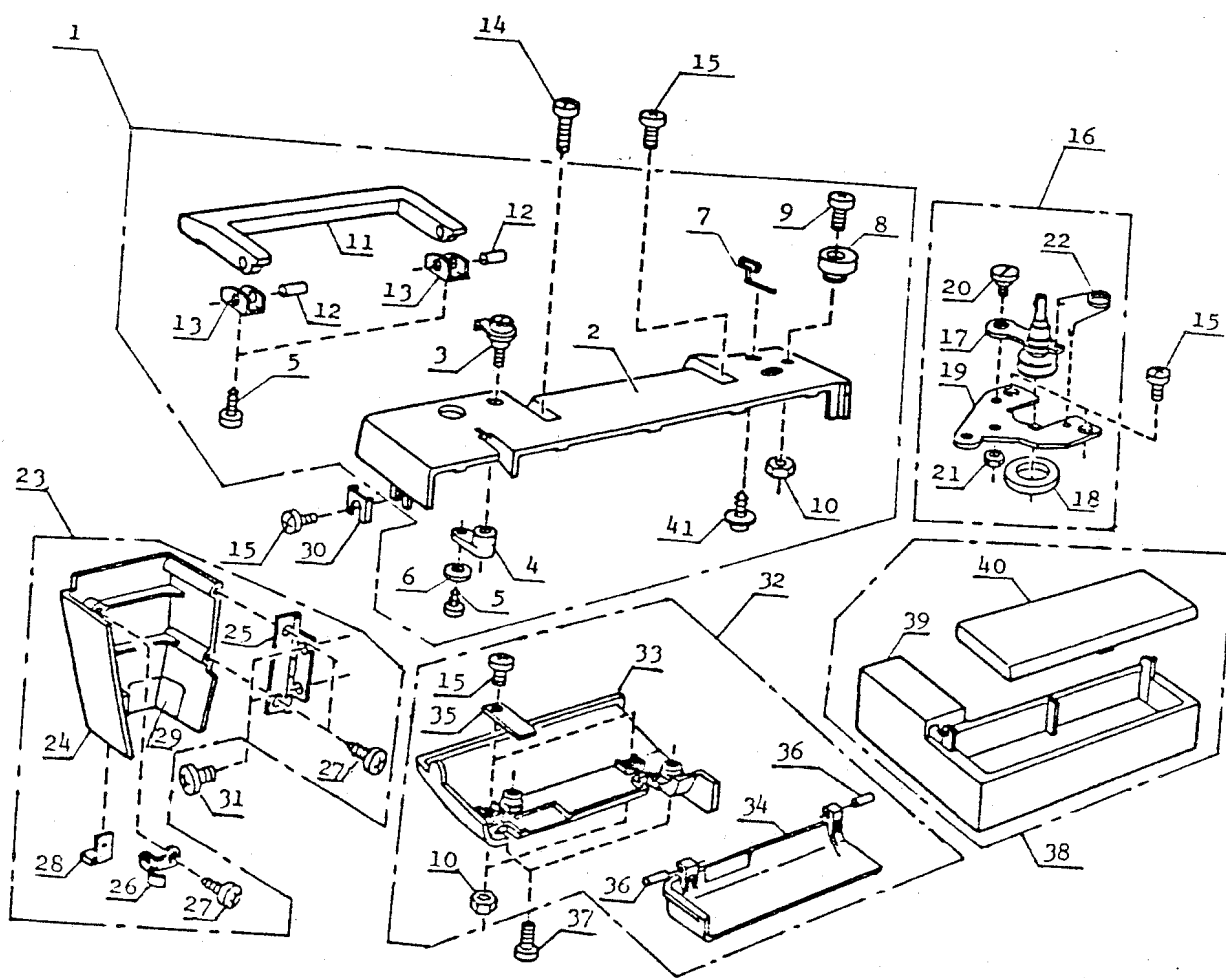
3-94

## MODEL **360**

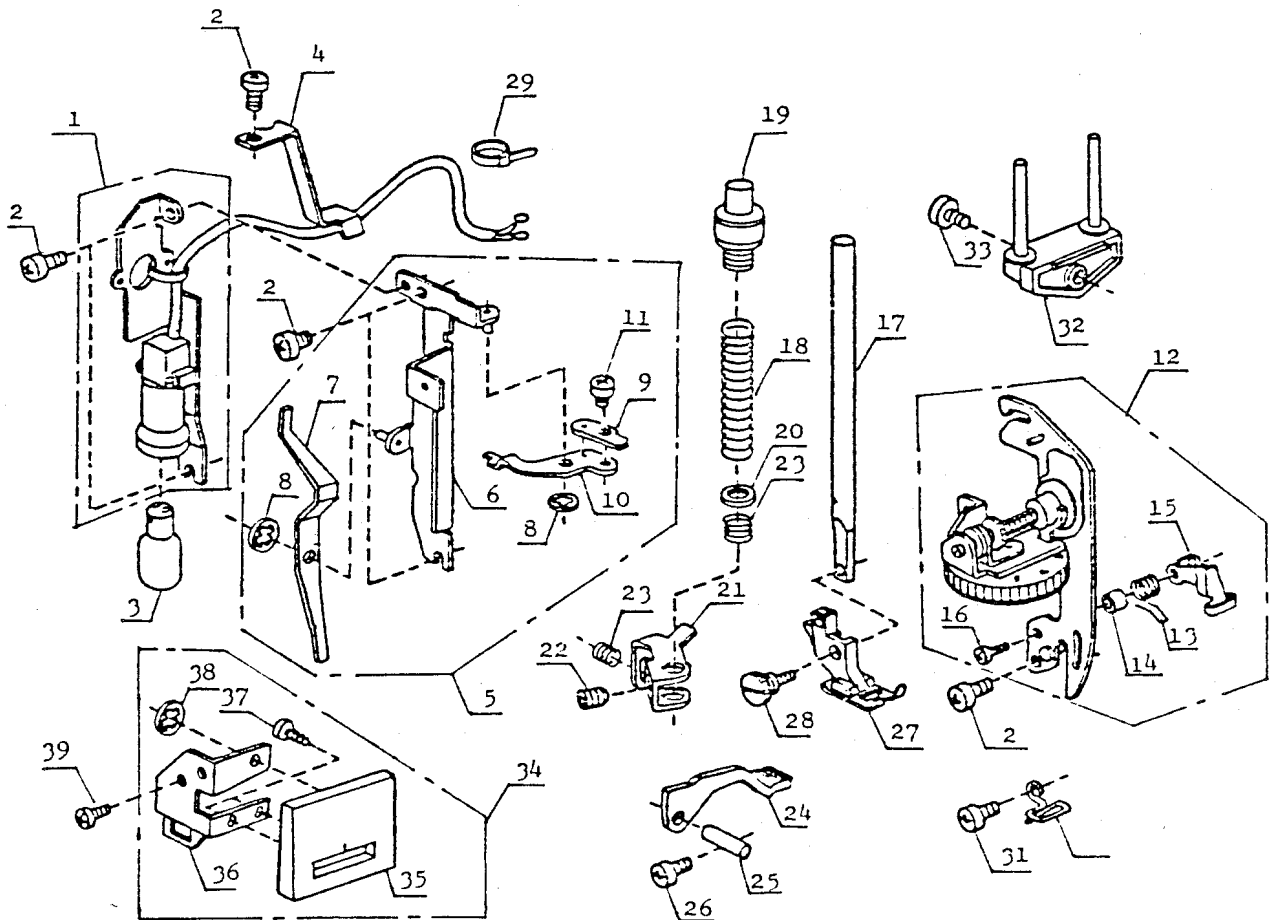


**JANOME**

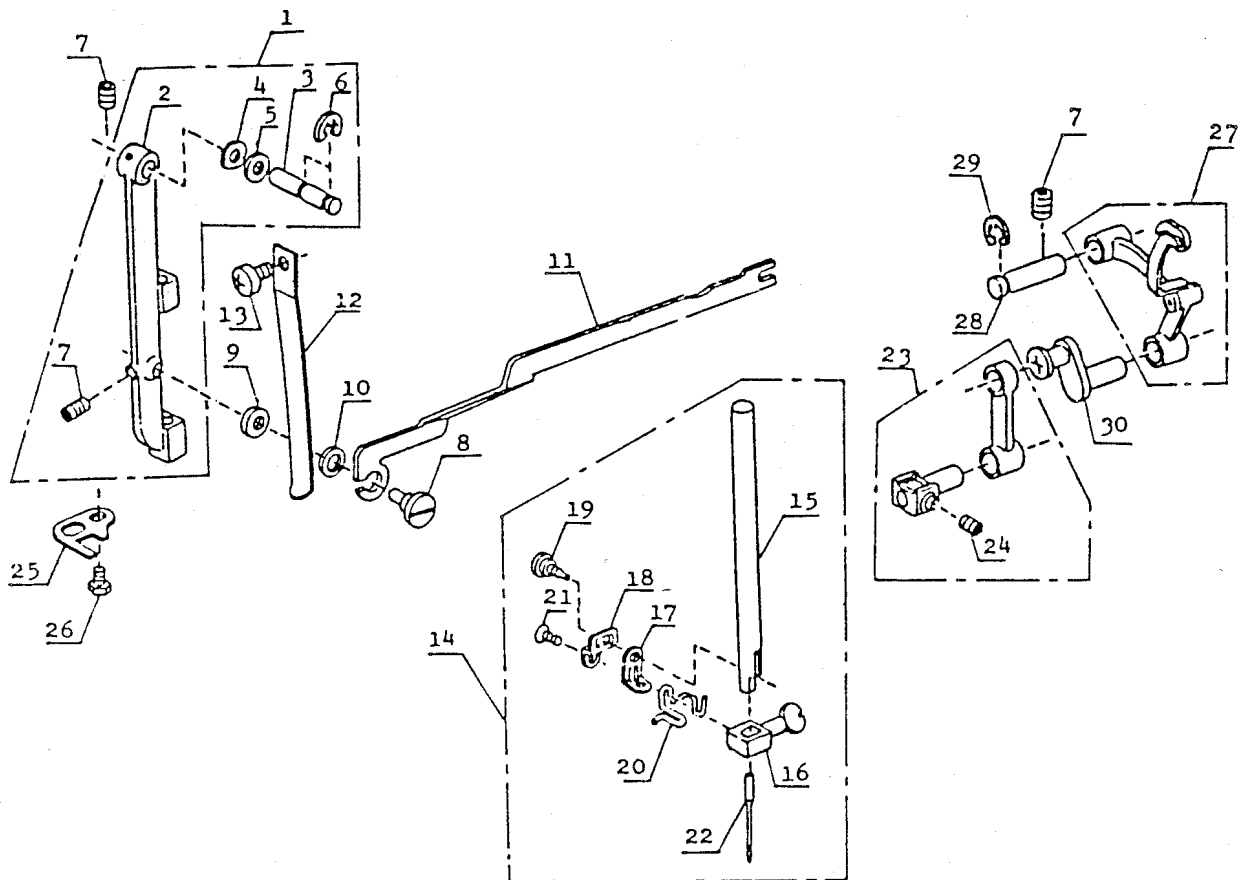
**NEW HOME®**



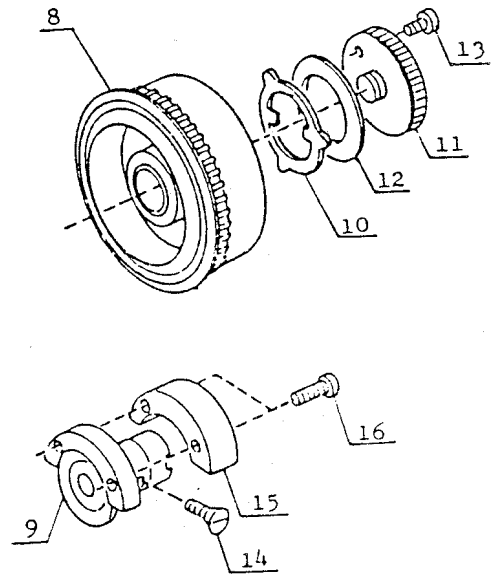
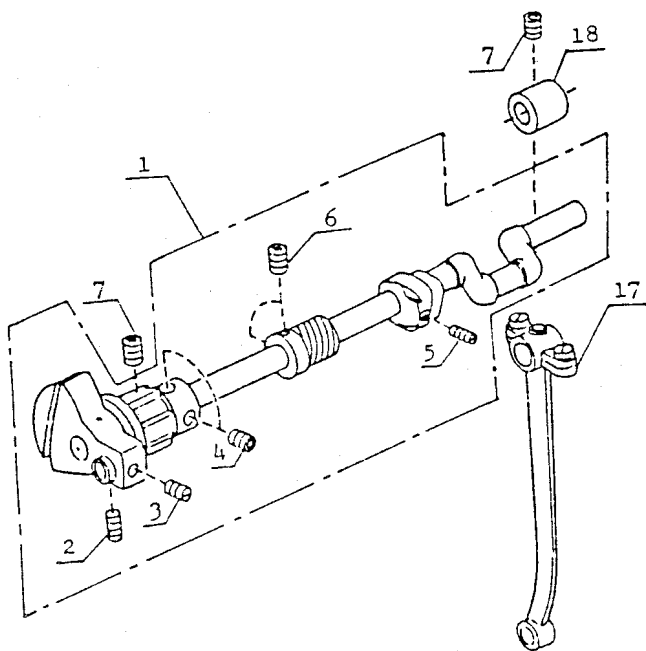
Parts No.	Names of Parts	Ref. No.	Parts No.	Names of Parts
731601004	Top cover (Unit)	22	730019006	Bobbin winder spring
731003000	Top cover	23	731602005	Face plate (Unit)
730501000	Bobbin winding thread guide (Unit)	24	731007004	Face plate
822021009	Thread guide holder	25	366501102	Face plate hinge (Unit)
000107204	Set screw	26	731067002	Face plate spring
000070104	Washer	27	000120203	Set screw
731004001	Top cover thread guide	28	822532008	Thread cutter (Unit)
674064009	Bobbin winder stopper	29	366076000	Face plate sticker
000104119	Set screw	30	730021001	Holding plate
000061205	Nut	31	000081119	Set screw
731005002	Carrying handle	32	730601001	Bed cover (Unit)
730015002	Handle fixing plate pin	33	730004008	Bed cover
730016003	Handle fixing plate	34	730005009	Hook cover
000104108	Set screw	35	730006000	Leaf spring
000101404	Set screw	36	000021409	Spring pin
730604004	Bobbin winder (Unit)	37	000101703	Set screw
730502001	Bobbin winder arm (Unit)	38	731502004	Extension table (Unit)
365076007	Rubber ring	39	731050002	Extension table
730018005	Bobbin winder base plate	40	731051003	Extension table cover
601010004	Hinged screw	41	000109000	Set screw
553088001	Nut			



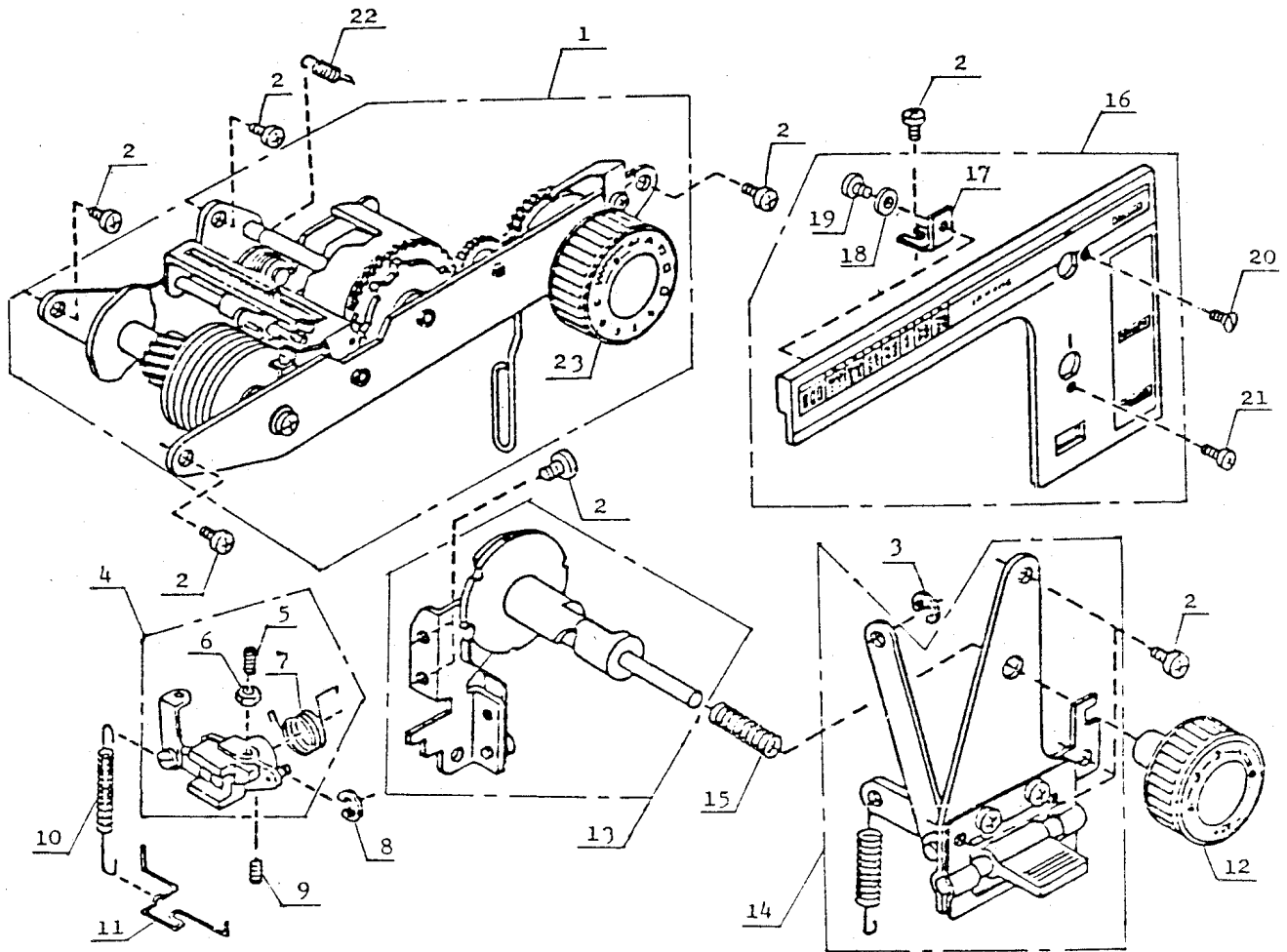
Ref. No.	Parts No.	Names of Parts	Ref. No.	Parts No.	Names of Parts
1	731503005	Lamp socket (Unit)	21	822069009	Presser bar guide bracket
2	000101404	Set screw	22	000111500	Socket screw
3	000009009	Lamp bulb 240V 15W BA15D	23	102222009	Pressure regulator spring
4	693047005	Cord holder	24	822071004	Presser foot lifter
5	731603006	Front bracket (Unit)	25	822072005	Presser foot lifter pin
6	731010000	Front bracket	26	000081005	Set screw
7	730029009	Thread tension release lever	27	731504006	Presser foot (Unit)
8	000013903	Snap ring	28	647112009	Thumb screw
9	731011001	Thread tension release plate (1)	29	000053008	Nylon belt
10	730031004	Thread tension release plate (2)	30	731009006	Arm thread guide
11	000103808	Set screw	31	000100300	Set screw
12	731501003	Thread tension regulator (Unit)	32	731006003	Spool pin base
13	650044009	Check spring	33	000103510	Set screw
14	625057007	Guide metal	34	731625004	Front decorative frame (Unit)
15	650045000	Thread guide	35	731064009	Front decorative frame
16	000121606	Set screw	36	731062007	Face plate set plate
17	350804006	Presser bar	37	000120203	Set screw
18	731063008	Presser bar spring	38	000014007	Snap ring
19	102517107	Pressure regulator (Unit)	39	000101507	Set screw
20	102061008	Washer			



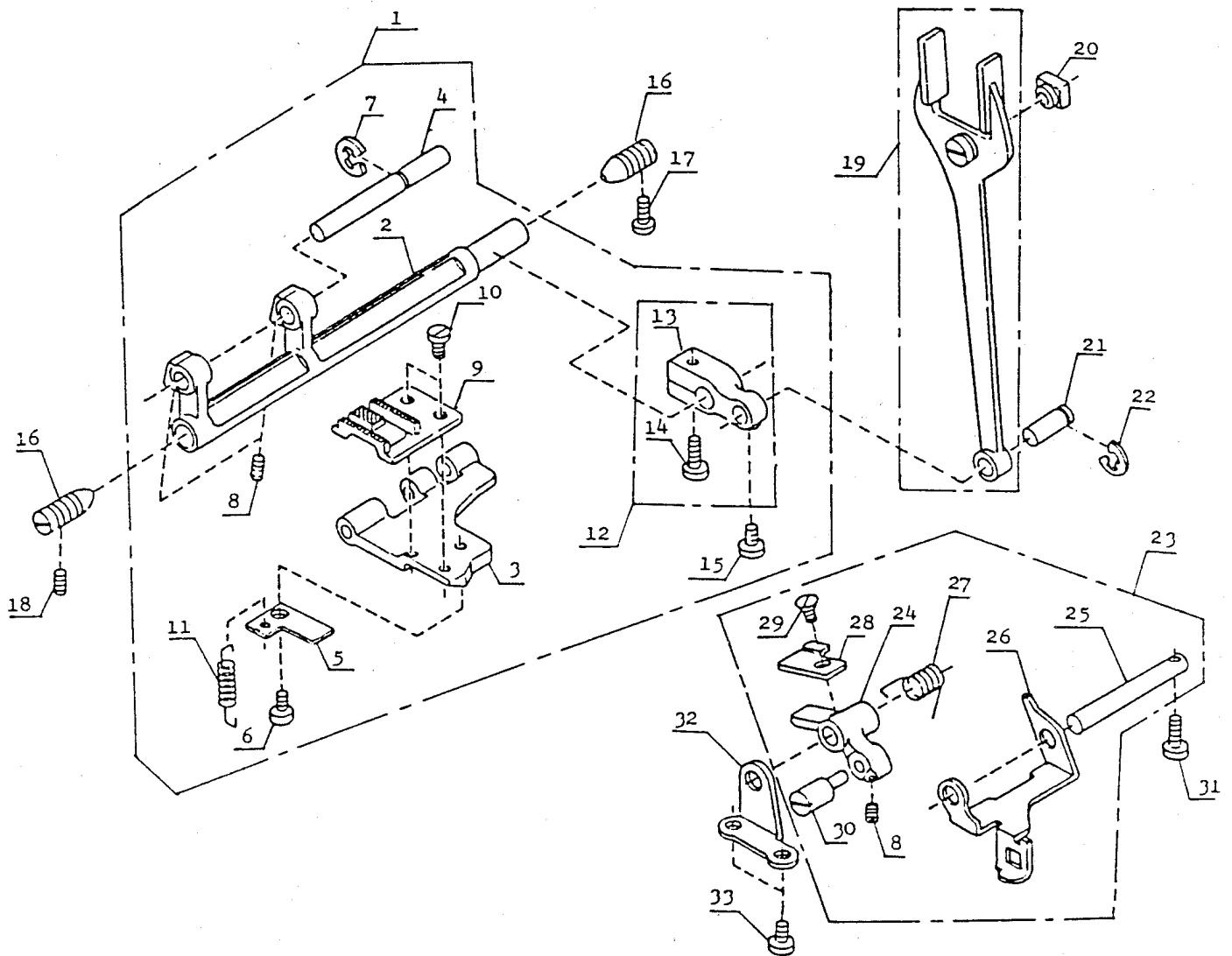
Ref. No.	Parts No.	Names of Parts	Ref. No.	Parts No.	Names of Parts
1	730606006	Needle bar supporter (Unit)	16	801506008	Needle clamp (Unit)
2	647130003	Needle bar supporter	17	730025005	Needle guide plate
3	730022002	Needle bar supporter pin	18	670262007	Needle holder plate
4	673022002	Washer	19	802108009	Hinged screw
5	000070609	Washer	20	680043001	Needle bar thread guide
6	000002507	Snap ring E-4	21	670047004	Set screw
7	000111304	Socket screw	22	102408089	Needle HA1-14
8	678084007	Eccentric pin	23	680504005	Needle bar connecting stud (Unit)
9	670258000	Washer	24	000111201	Socket screw
10	678044005	Washer	25	680036001	Stopper
11	730023003	Zigzag width rod	26	000066303	Bolt
12	730024004	Needle bar supporter spring	27	625506006	Thread take-up lever (Unit)
13	000101404	Set screw	28	647040005	Thread take-up lever shaft
14	730503002	Needle bar (Unit)	29	000002806	Washer
15	553085008	Needle bar	30	730509008	Needle bar crank pin (Unit)



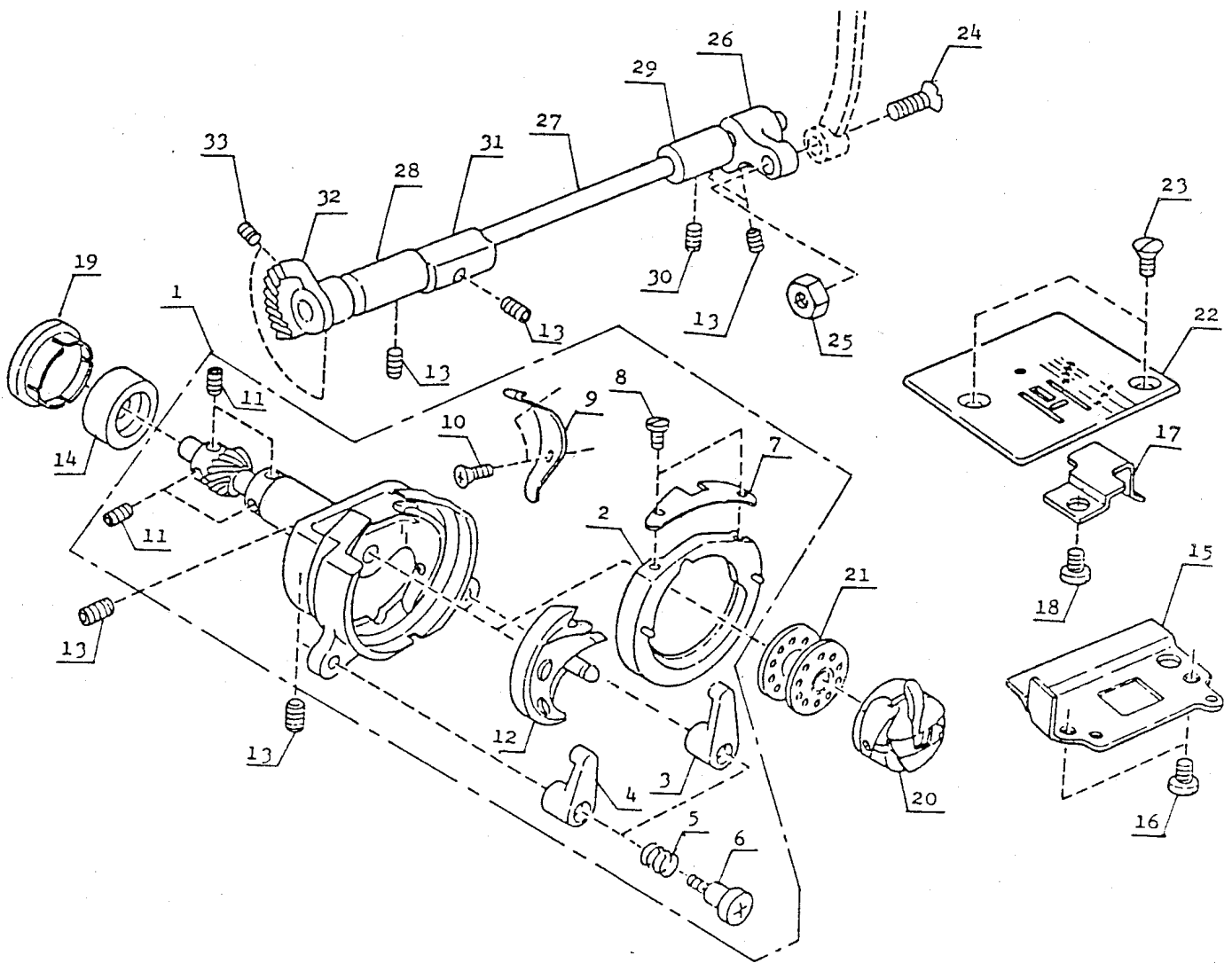
Ref. No.	Parts No.	Names of Parts
1	731604007	Upper shaft (Unit)
2	102073003	Set screw
3	102063000	Set screw
4	000111304	Socket screw
5	102133002	Set screw
6	000111201	Socket screw
7	000111108	Socket screw
8	730036102	Balance wheel
9	730037000	Balance wheel bushing
10	102076006	Stop motion washer
11	647036008	Stop motion large screw
12	647037009	Washer
13	102078101	Stop motion small screw
14	671106005	Set screw
15	640008000	Balance weight
16	000105202	Set screw
17	640602000	Crank rod (Unit)
18	671021005	Upper shaft rear bushing



Ref. No.	Parts No.	Names of Parts
1	731610006	Control mechanism block (Unit)
2	000101404	Set screw
3	000002105	Snap ring E-3
4	731605008	Feed regulator (Unit)
5	648010009	Set screw
6	000160102	Adjustable lock nut 4
7	611014009	Feed adjusting plate spring
8	000000309	Snap ring E-40 (I)
9	802097004	Socket screw
10	670100006	Feed regulator spring
11	730041007	Spring sustainer
12	731606009	Stitch length regulator knob (Unit)
13	731607000	Feed regulator cam (Unit)
14	731608001	Reverse feed lever (Unit)
15	731029002	Stitch length regulator dial spring
16	731609002	Control panel (Unit)
17	731037003	Panel set plate
18	000070104	Washer
19	000078319	Set screw
20	693091004	Set screw
21	000103303	Set screw
22	730092003	Stretch stitch cam follower spring
23	731611007	Pattern selector knob (Unit)

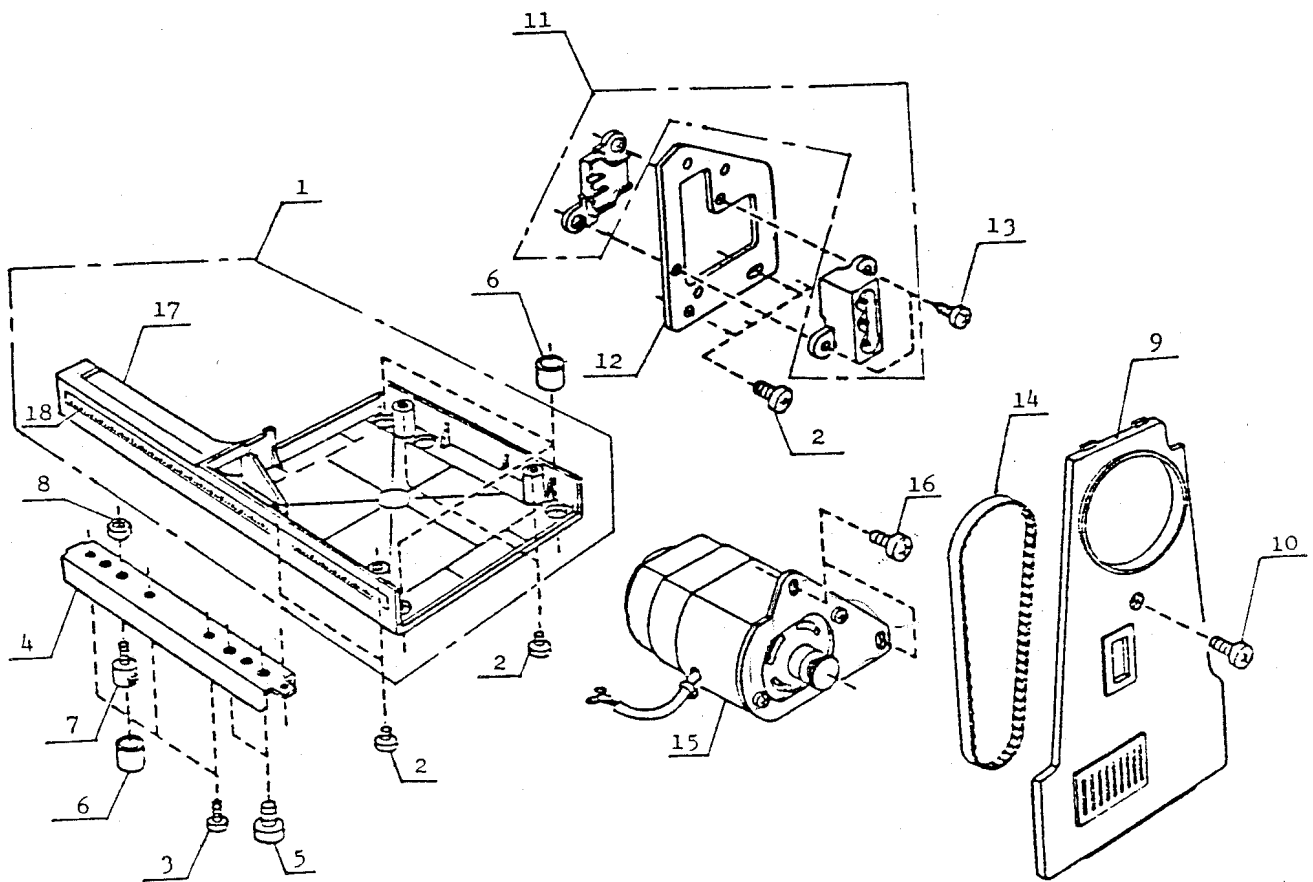


Ref. No.	Parts No.	Names of Parts	Ref. No.	Parts No.	Names of Parts
1	730611004	Feed rock shaft (Unit)	18	000111304	Socket screw
2	730057006	Feed rock shaft	19	647607006	Forked rod (Unit)
3	647066007	Feed dog base	20	102141003	Feed regulator slide block
4	647134007	Feed dog base shaft	21	673103008	Feed rock shaft connecting pin
5	648019008	Feed dog base sliding plate	22	000002806	Snap ring E-6
6	102021109	Set screw	23	730612005	Feed lifting arm (Unit)
7	000002507	Snap ring E-4	24	648055006	Feed lifting arm
8	000111108	Socket screw	25	730058007	Feed lifting arm shaft
9	656037007	Feed dog	26	730059008	Drop feed selecting plate
10	102160008	Set screw	27	730061003	Drop feed selecting spring
11	672042005	Feed dog base spring	28	730062004	Sliding plate
12	647612004	Feed rock shaft crank (Unit)	29	365032001	Set screw
13	647064005	Feed rock shaft crank	30	730063005	Feed lifting crank roller shaft
14	102151006	Set screw	31	000101703	Set screw
15	102205006	Set screw	32	730064006	Feed lifting arm shaft holder
16	532030003	Center screw	33	000101404	Set screw
17	000101301	Set screw			



Ref. No.	Parts No.	Names of Parts	Ref. No.	Parts No.	Names of Parts
1	640603104	Hook race (Unit)	18	000101404	Set screw
2	553168006	Hook race ring	19	626045005	Cap
3	605065006	Hook race ring clasp (A)	20	647515006	Bobbin case (Unit)
4	605066007	Hook race ring clasp (B)	21	102115008	Bobbin
5	532184003	Hook race ring clasp spring	22	730027007	Needle plate
6	673290003	Hinged screw	23	681009101	Set screw
7	601801000	Hook race ring cap spring	24	761161000	Taper screw
8	102100000	Set screw	25	102129005	Nut
9	670286007	Driver spring	26	640010005	Lower shaft crank
10	102202003	Set screw	27	640011006	Lower shaft
11	553245008	Socket screw	28	640037008	Lower shaft front bushing
12	532096007	Hook	29	640038009	Lower shaft rear bushing
13	000111304	Socket screw	30	000082305	Set screw
14	640018003	Hook driver shaft bushing	31	647043008	Feed lifting cam
15	730109004	Gear box rear cap	32	730038001	Lower shaft gear
16	000101208	Set screw	33	000110107	Socket screw
17	730107002	Gear box upper cover			





Ref. No.	Parts No.	Names of Parts
1	731624003	Base (Unit)
2	000081005	Set screw
3	000107204	Set screw
4	730008002	Arm leg
5	000066808	Set screw
6	647009002	Bed rubber cushion
7	647010006	Rubber cushion adjusting screw
8	000061319	Nut
9	731002401	Belt cover
10	000104119	Set screw
11	730507006	Machine socket (Unit)
12	731052004	Machine socket set plate
13	000121400	Set screw
14	624093002	Timing belt
15	023191114	Motor (Unit)
16	000115504	Set screw
17	730010100	Base
18	731061006	Base scale

TO REMOVE AND TO REPLACE COVERING PARTS

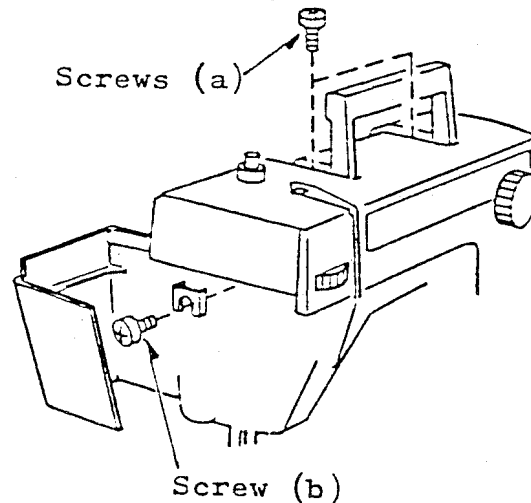
i) TOP COVER ( UNIT )

TO REMOVE :

1. Raise carrying handle and loosen 2 pcs. of screws (a).
2. Open face plate and loosen screw (b).
3. Lift top cover (unit) right above.

TO REPLACE :

1. Raise carrying handle.
2. Tighten screws (a) and (b), while taking care not to make discrepancy and/or interference against the machine frame or another parts.



ii) BELT COVER

TO REMOVE :

1. Remove top cover (unit).
2. Loosen screw (c) and take out belt cover.

TO REPLACE

1. Insert convex portion of belt cover into groove of base. Then, fit belt cover into the machine arm.
2. Tighten screw (c).

