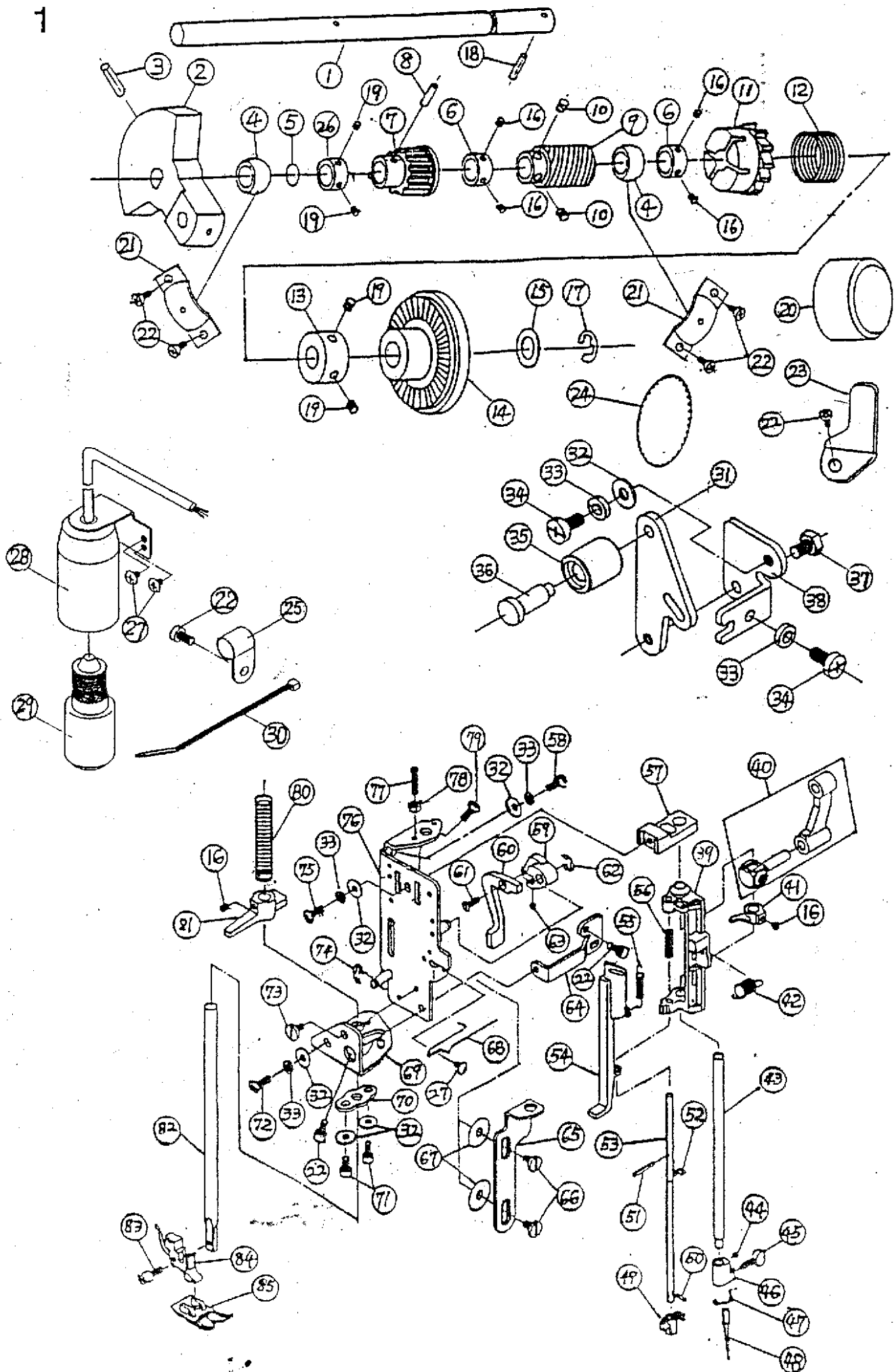


PARTS LIST

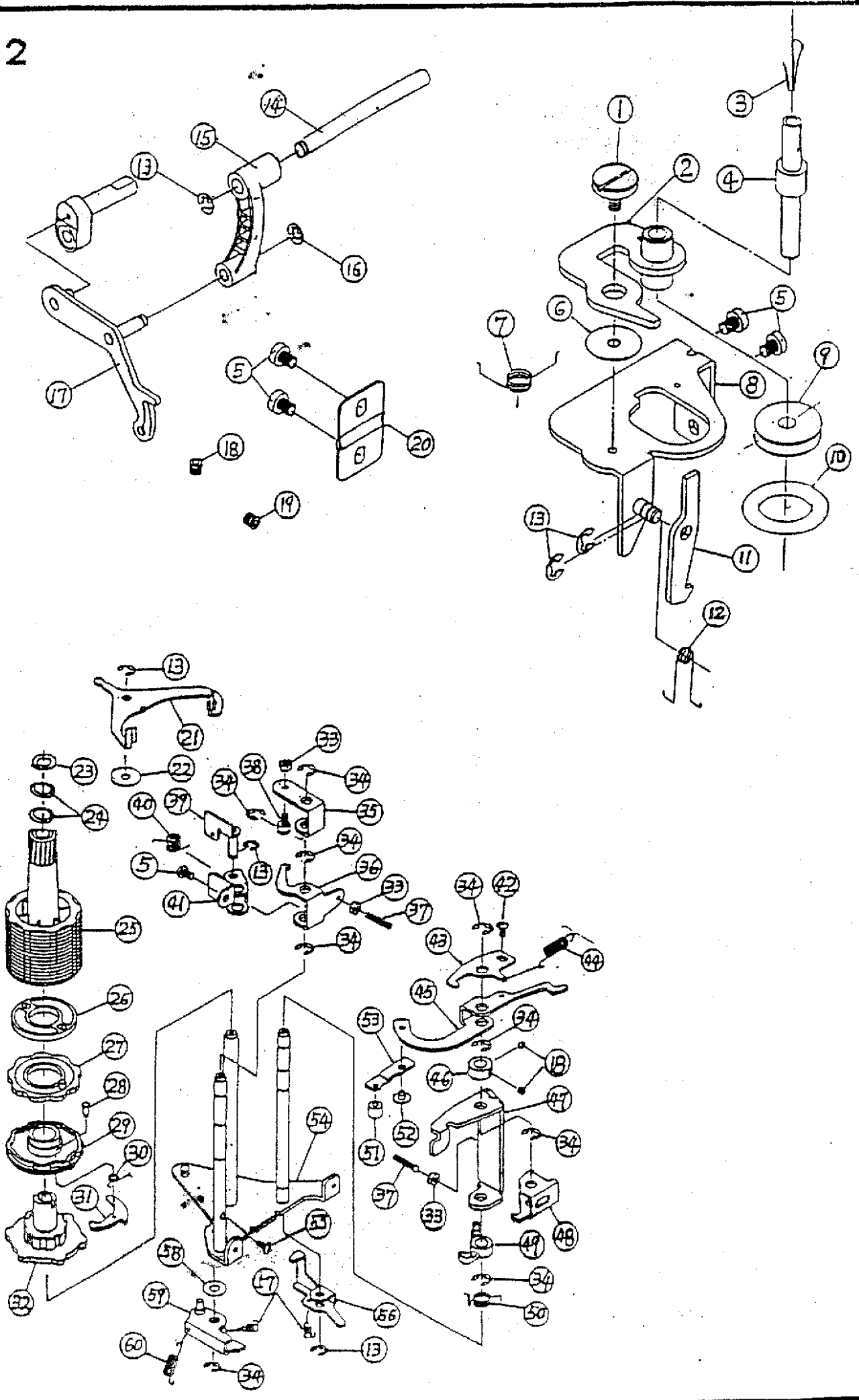
MODEL: NECCHI 3832FA

SUNBEEN PRECISION MACHINE INC.

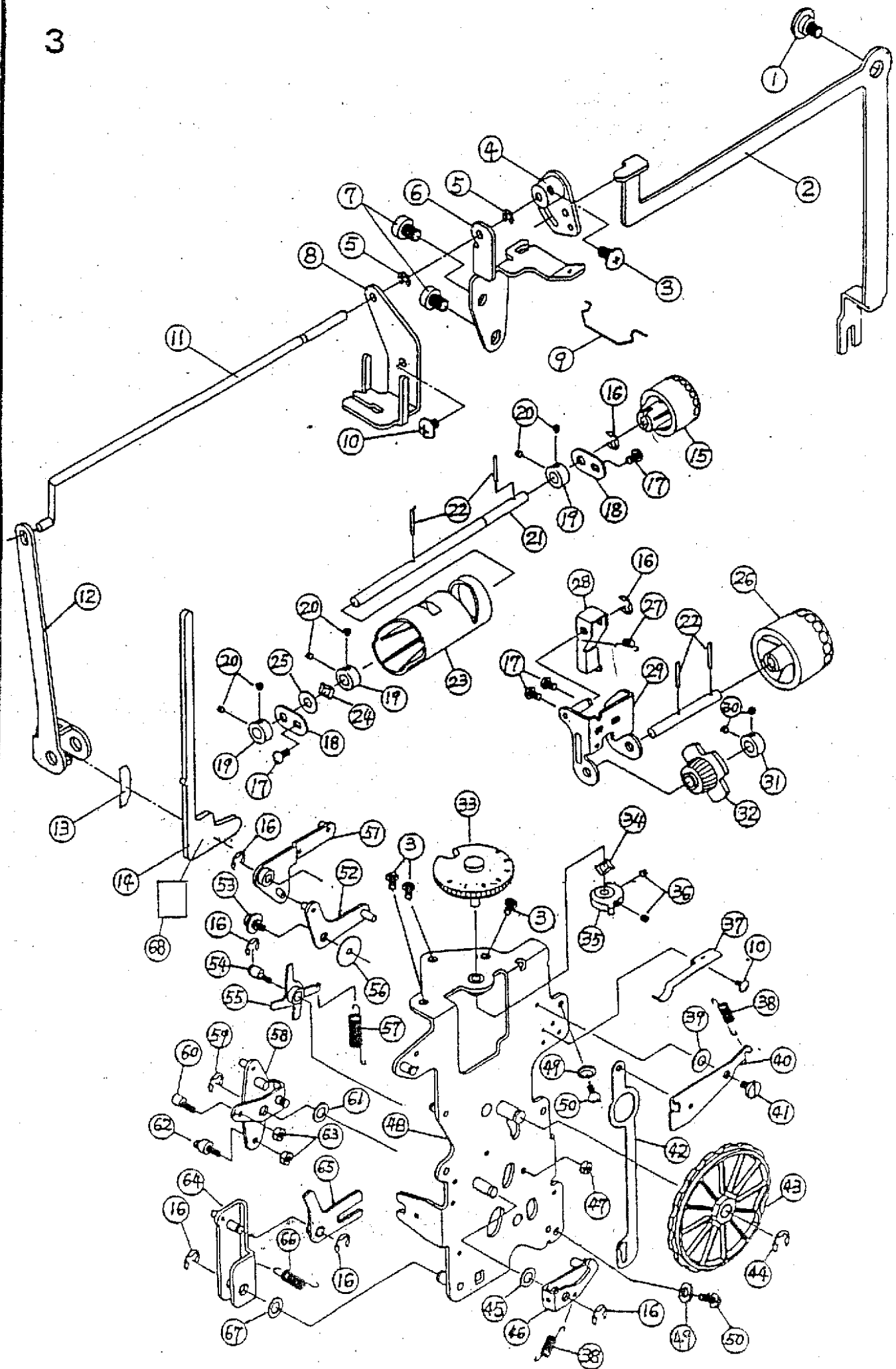
1



ref no.	sunbeen part no.	name of parts			
01	610033001	UPPER SHAFT	60	610109009	PRESSER ROD
02	610034002	UPPER SHAFT BEARING	61	301165006	SET SCREW
03	000003405	SPRING PIN 3*18	62	000000309	SNAP RING 5D
04	610289004	BEARING	63	000018001	SCREW
05	000009010	WASHER	64	610116009	THREADING GUIDE PLATE
06	610287002	COLLAR	65	610108008	PRESSER ADJUSTING PLATE
07	610037005	PULLEY	66	355018000	SET SCREW
08	000003818	SPRING PIN	67	380054006	WASHER
09	610038109	UPPER SHAFT WORM GEAR	68	610114007	SPRING
10	301093002	UPPER SHAFT SET SCREW	69	610107007	ADJUSTING PLATE
11	610039007	SPRING PULLEY	70	610272004	ADJUSTING PLATE
12	610041002	SPRING	71	000015019	SCREW
13	610040001	COLLAR	72	000020051	SET SCREW
14	610042003	UPPER SHAFT TRANSMISSION PULLEY	73	000031011	SET SCREW
15	000014340	WASHER	74	000000206	SNAP RING 4D
16	301046000	SET SCREW	75	000020006	SCREW
17	000000402	SNAP RING 6D	76	610106006	NEEDLE BAR SUPPORTING PLATE
18	000003210	SPRING PIN	77	000008019	SET SCREW
19	301087003	SET SCREW	78	301151009	NUT
20	610009019	HANDWHEEL	79	000037039	SET SCREW
21	610008007	UPPER BEARING BRACKET	80	610111004	SPRING
22	301008000	SET SCREW	81	610112005	GUIDE BRACKET
23	610256002	PRESSER PLATE (UP)	82	610110003	PRESSER BAR
24	610007006	BELT	83	610012004	SCREW
25	250057003	LIGHT CORD FIXATION	84	301522108	PRESSER FOOT HOLDER
26	750004000	MAIN SHAFT COLLAR	85	610412008	Z/Z FOOT
27	301234007	SET SCREW			
28	610802009	POWER CORD			
29	650816000	LIGHT BULB. (120V)			
30	351047006	BAND			
31	610247000	IDLE PULLEY PLATE			
32	301009001	WASHER			
33	000021007	SPRING WASHER			
34	250087002	SET SCREW			
35	610248001	IDLE PULLEY			
36	610249002	IDLE PULLEY PIN			
37	301049003	SET SCREW			
38	610246009	IDLE PULLEY SUPPORT PLATE			
39	610097003	NEEDLE BAR SUPPORTER			
40	610501005	NEEDLE HOLDER			
41	610104004	THREADING GUIDE			
42	610115008	SPRING			
43	610102002	NEEDLE BAR			
44	000018001	SCREW			
45	301263005	SCREW			
46	610103003	NEEDLE CLAMP			
47	610270002	GUIDE PLATE			
48	301244000	NEEDLE			
49	610502006	THREADING GUIDE COMP			
50	000003221	SPRING PIN			
51	610096002	PIN			
52	000000804	2.5D E RING			
53	610098004	THREADING ROD			
54	610099016	THREADING LEVER			
55	610101001	SPRING			
56	610100000	SPRING			
57	610113006	ADJUSTING ROD			
58	000016032	SCREW			
59	610274006	PRESSER BAR CAM			

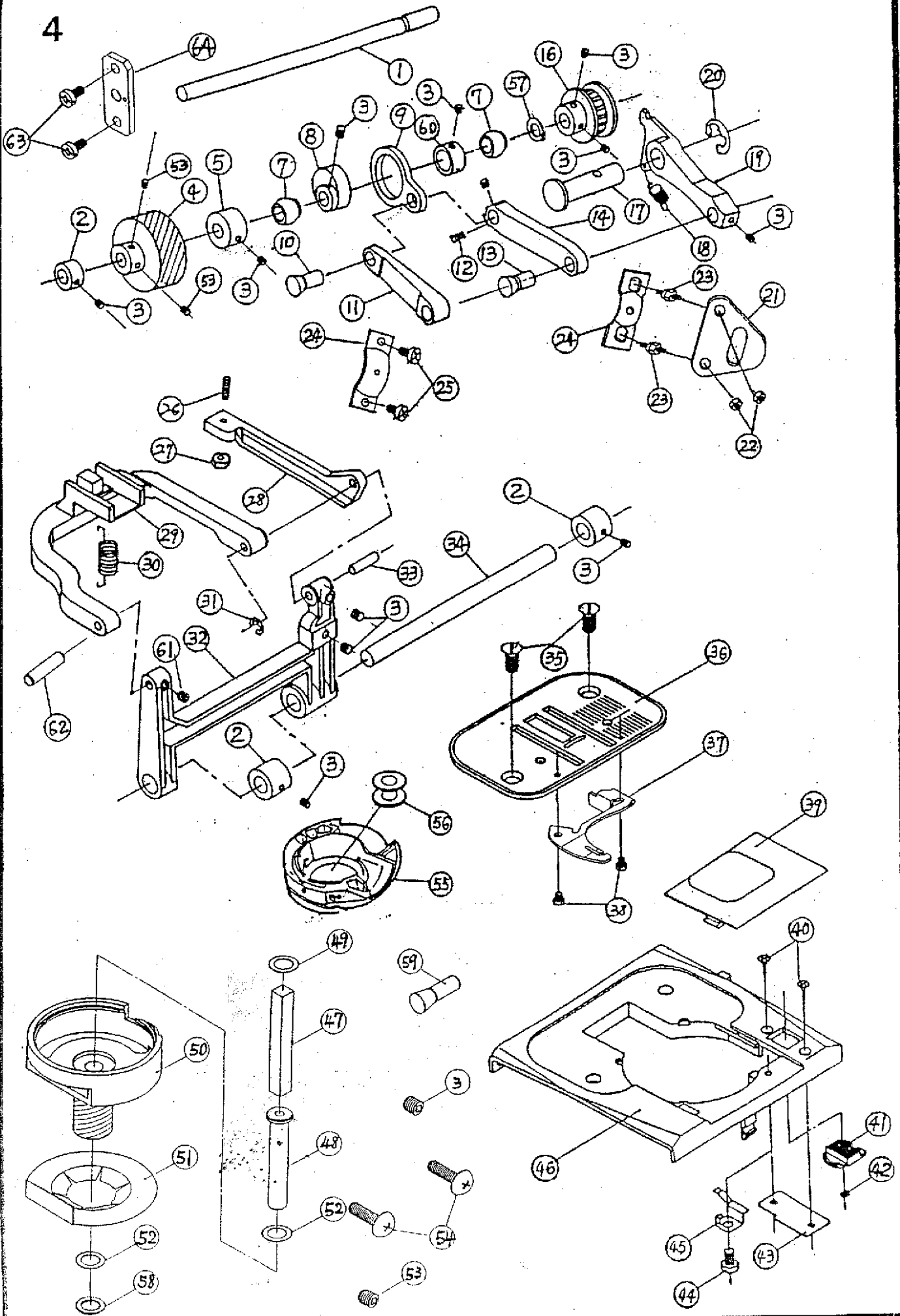


ref no.	sunbeen part no.	name of parts
01	353125005	HINGED SCREW 8 2.65
02	610091007	BOBBIN WINDER
03	301022000	BOBBIN WINDER SHAFT PIN
04	610090006	BOBBIN WINDER SHAFT
05	301037008	SET SCREW 16
06	370069003	WASHER 5.1*18 t=0.5 24
07	353126006	BOBBIN WINDER SPRING C 1
08	610089002	BOBBIN WINDER PLATE
09	353029008	COIL
10	353030002	RUBBER RING
11	610092008	CLUTCH ROD
12	610093009	SPRING ROD
13	000000206	SNAP RING 4D
14	610076006	PIN
15	610075005	ROCKING LEVER
16	000000103	SNAP RING 3D
17	610074004	TAKE UP LEVER
18	301046000	SET SCREW(4.4,3114)
19	000023032	SET SCREW
20	610011003	PIN BRACKET
21	610153008	BH RELEASER
22	380054006	WASHER 19
23	000006501	SHAP RINGT
24	450062007	PLASTIC WASHER
25	610130009	PATTERN CAM
26	610129005	BH CAM OPERATING PLATE
27	610131000	BH PATTERN CAM(B)
28	610136005	CONNECTING PIN
29	610132001	BH PATTERN CAM(A)
30	610135004	BH SPRING
31	610128004	B/H SUPPORTING PLATE
32	610133002	SS PATTERN CAM
33	301151009	NUT 3
34	000000309	SNAP RING 5D
35	610149001	Z/Z CONNECTING ROD
36	610145007	Z/Z CONNECTING ROD
37	000008019	SET SCREW
38	610019001	SCREW
39	610147009	Z/Z CONNECTING CRANK
40	610148000	SPRING
41	610146008	NEEDLE POSITION FIXATION
42	250052008	SET SCREW 9
43	610144006	ZERO ADJUSTING PLATE (B)
44	610163001	SPRING
45	610142004	ZERO ADJUSTING PLATE(A)
46	750032007	COLLAR
47	610140002	CONTACT FINGER FRAME
48	610141003	CONNECT FINGER
49	610139008	BH FINGER
50	610138007	SPRING
51	301207001	SHAFT 1
52	610252008	"0" FEEDING PIN
53	610143005	ZERO ADJUSTING ARM
54	610137006	PATTERN CAM SUPPORTING PLATE
55	250010004	SET SCREW 8
56	610152007	BH CONNECTING PLATE
57	610154009	SPRING
58	360077003	WASHER 15
59	610151006	SS CONNECTING PLATE
60	610267006	SS SPRING



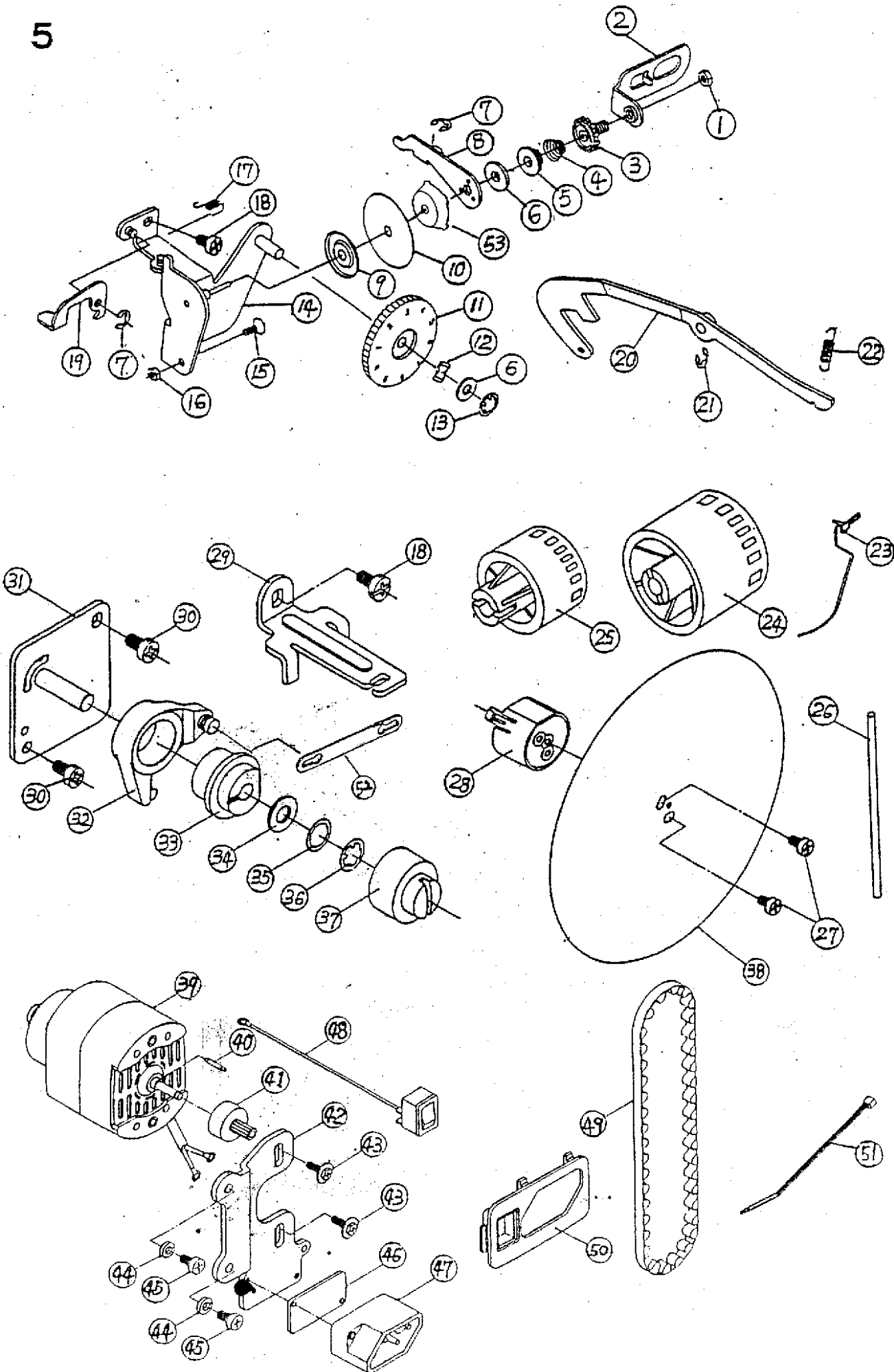
ref no.	sunbeen part no.	name of parts
01	000031011	SET SCREW
02	610015007	FR EXCHANGE ROD
03	250052008	SET SCREW
04	610123009	FR S.S. CAM
05	000000701	E RING
06	610122008	FR SUPPORTING PLATE
07	301037008	SET SCREW
08	610121007	FR SUPPORTING PLATE
09	610013005	SPRING
10	301234007	SET SCREW
11	610120006	FR CONNECTING ROD
12	610117000	FR OPERATING ROD
13	610118001	SPRING
14	610119002	BH OPERATING ROD
15	270050547	STITCH LENGTH DIAL
16	000000206	SNAP RING 4D
17	301037008	SET SCREW
18	610174005	FEED SHAFT FIXATION
19	750092005	COLLAR
20	000018001	SCREW
21	610172003	STITCH LENGTH SHAFT
22	000003601	SPRING PIN 2*12
23	610173004	FEED CAM
24	250131002	WAVE WASHER
25	370051002	WASHER 6.1*12 t=1.0
26	610025011	SELECT DIAL
27	610154009	SPRING
28	610185009	OPEN CONNECTING ROD
29	610182006	SUPPORTING PLATE
30	301046000	SET SCREW
31	370132008	COLLAR
32	610184008	CAM
33	610161010	ZIGZAG WIDTH DIAL
34	370086006	WAVE WASHER
35	610162000	Z/Z CONTROLLER
36	000018012	SCREW
37	610179000	SPRING
38	610177008	SPRING
39	000014270	WASHER
40	610176007	R MOVING PLATE
41	355010002	HINGED SCREW
42	610175006	R ROD
43	610178009	SELECTING CAMP
44	000000402	SNAP RING 6D
45	354007003	WASHER
46	610180004	BH EXCHANGE PLATE
47	301151009	NUT
48	610155000	PATTERN CAM SUPPORTING PLATE
49	000021007	SPRING WASHER
50	250087002	SET SCREW
51	610158003	SELECTING ROD
52	610156001	SELECTING ROD
53	610157002	SCREW
54	610165003	SCREW
55	610164002	BH ADJUSTING PLATE
56	380054006	WASHER
57	610169007	SPRING
58	610166004	STITCH LENGTH CONNECTING PLATE
59	000000309	SNAP RING 5D
60	610168006	SCREW
61	270018004	WASHER 7.3*12 t=1.0
62	610167005	SCREW
63	000055003	NUT
64	610170001	S.S. EXCHANGE PLATE
65	610171002	S.S. MOVING PLATE
66	610220007	SPRING
67	360077003	WASHER
68	610276101	BH OPERATING STICKER

4

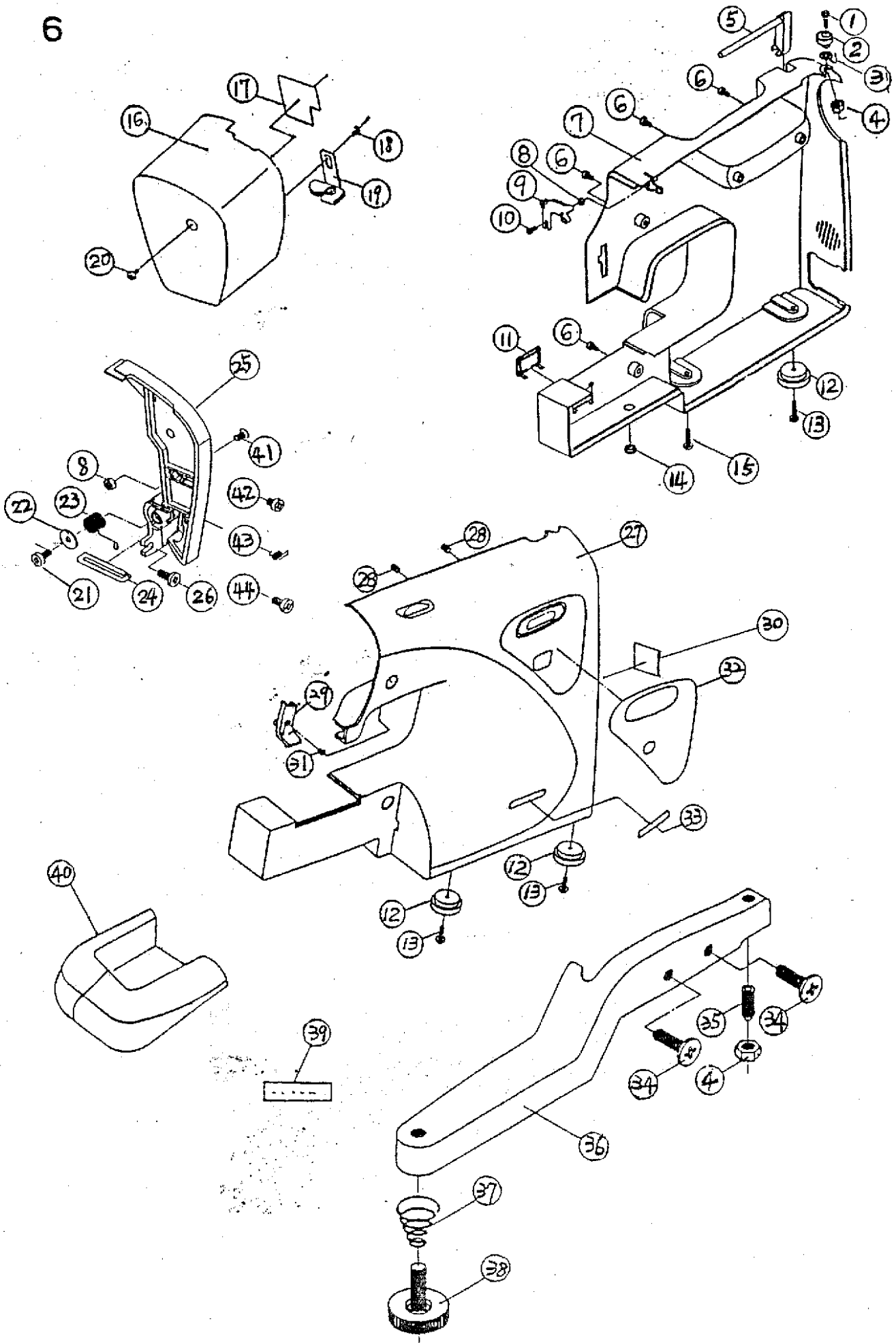


ref no.	sunbeen part no.	name of parts
01	610045006	LOW SHAFT
02	370132008	COLLAR
03	301046000	SET SCREW
04	610049000	OSCILATING SHAFT GEAR
05	610048009	FEED LIFTING CAM
06	000003601	SPRING PIN 2*12
07	610047008	LOW SHAFT BEARING
08	610046007	FEED LIFTING CAM
09	610055009	CAM CONNECTING ROD
10	610054008	CAM CONNECTING SHAFT
11	610052006	FEED DOG CONNECTING ROD
12	255004000	SCREW
13	610053007	FEED DOG SHAFT
14	610056000	FEED TRANSPORTING ARM
15	000000309	SNAP RING 5D
16	610057001	LOW SHAFT PULLEY
17	610050004	REGULATOR SHAFT
18	610069006	SPRING B
19	610051005	ADJUSTING ARM
20	000000402	SNAP RING 6D
21	610254000	PRESSER PLATE (LOW)
22	301193003	NUT
23	610255001	SCREW
24	610010002	LOWER BEARING BRACKET
25	301008000	SET SCREW
26	000008019	SET SCREW
27	301151009	NUT
28	610065002	FEED ADJUSTING PLATE
29	610066003	FEED DOG BASE
30	610067004	SPRING
31	000000103	SNAP RING 3D
32	610062009	FEED DOG LEVERT
33	610064001	FEED DOG BASE SHAFT
34	610061008	FEED ROCK SHAFT
35	301261003	SET SCREW
36	610016008	NEEDLE PLATE
37	610279001	BOBBIN CASE STOP PLATE
38	000019127	SET SCREW
39	610017009	BOBBIN CASE COVER
40	000037017	SET SCREW
41	610086010	RELEASE BLOCK
42	610087000	SPRING
43	610088001	RELEASE BLOCK FRAME
44	000011277	SEW SCREW
45	610085008	SPRING
46	610084018	NEEDLE BAR SUPPORTER
47	650094004	GREASE PIPE
48	650095005	SHUTTLE SUPPORT SHAFT
49	650258008	WASHER
50	610071001	HOOK RACE BODY
51	610250006	HOOK THREAD STOP PLATE
52	000009032	WASHER
53	301087003	SET SCREW
54	250010004	SET SCREW
55	610504008	BOBBIN CASE COMP
56	610081004	BOBBIN
57	000006305	SNAP RING 6D
58	000009021	WASHER
59	610053007	FEED DOG SHAFT
60	301153104	COLLAR
61	000018001	SCREW
62	610063000	FEED DOG BASE SHAFT
63	250087002	SET SCREW
64	610288003	RETAINING PLATE

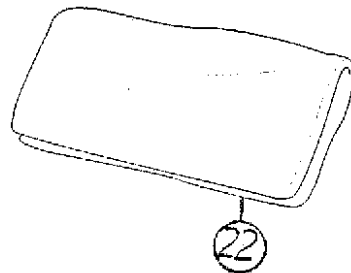
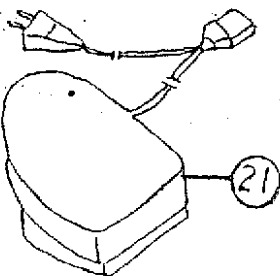
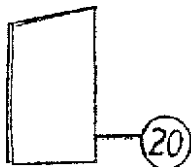
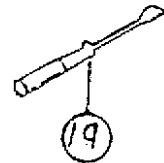
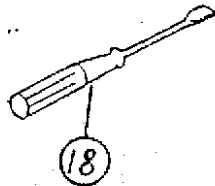
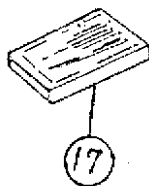
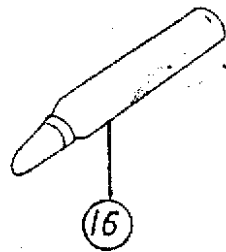
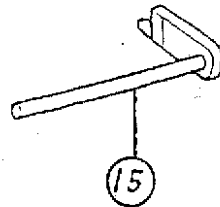
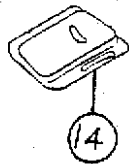
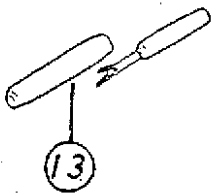
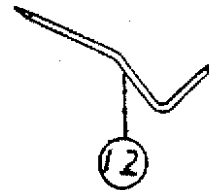
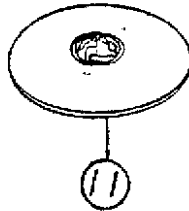
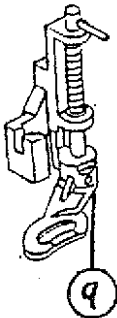
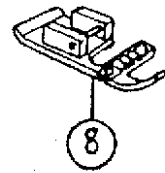
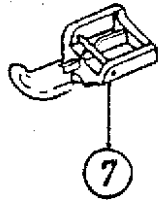
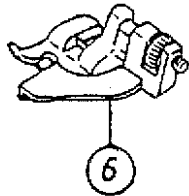
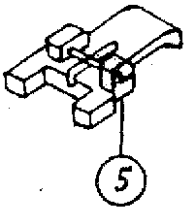
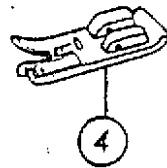
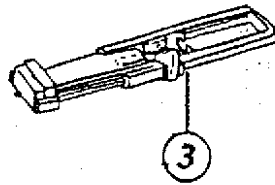
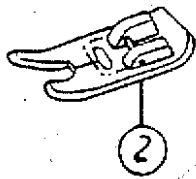
5



<u>ref no.</u>	<u>sunbeen part no.</u>	<u>name of parts</u>
01	351011001	NUT 5
02	610193000	TENSION ADJUSTER PLATE
03	610192009	TENSION ADJUSTER BLOCK
04	610191008	TENSION SPRING
05	260108001	CAM WHEEL RING
06	370099002	WASHER 5.2*11.5 t=.8 25
07	000000103	SNAP RING 3D
08	610190007	TENSION RELEASE LEVER
09	610189003	UPPER TENSION BRACKET (A)
10	610188002	UPPER TENSION BRACKET(B)
11	610194012	TENSION DIAL
12	370086006	WAVE WASHER (160)
13	000012315	SNAP PING 5D
14	610187001	SUPPORTING PLATE
15	301165006	SET SCREW 36
16	301151009	NUT 3
17	301181008	FEED DOG BASE SPRING 1
18	250087002	SET SCREW 10
19	610195002	TENSION RELEASE LEVER B
20	610021006	R OPERATION PLATE
21	000000206	SNAP RING 4D
22	610022007	R SPRING
23	610024009	SPRING
24	610025011	SELECT DIAL
25	270050547	STITCH LENGTH DIAL
26	610023008	TENSION RELEASE LEVER
27	000011277	SEW SCREW
28	610094000	PANEL BASE
29	610014006	R STOPER
30	301008000	SET SCREW 13
31	610124000	REGULATOR SUPPORTING PLATE
32	610125001	ADJUSTING ROD
33	610126002	STITCH LENGTH ADJUSTER
34	000012304	SANP PING 6D
35	250131002	WAVE WASHER
36	370051002	WASHER 6.1*12 t=1.0 26
37	610127014	STITCH LENGTH ADJUSTING DIAL
38	610095067	SELECT INDICATE PLATE
39	610832008	MOTOR COMP.
40	000003807	SPRING PIN 2*14
41	610200001	MOTOR PULLY
42	610202405	MOTOR BRACKET(HOMEMAKER 16)
43	351046005	SET SCREW
44	450063008	SPRING WASHER 2
45	301143008	SET SCREW (243,247)
46	610291009	RECEPTACLE INSULATION PLATE
47	351048007	RECEPTACLE
48	610810011	LAMP SWITCH(HOMEMAKER 16)
49	610027002	BELT
50	610203417	SWITCH BASE
51	351047006	BAND
52	610020005	STITCH LENGTH CONNECTING ROD
53	610286001	UPPER TENTION GUIDE



<u>ref</u> <u>no.</u>	<u>sunbeen</u> <u>part no.</u>	<u>name of parts</u>
01	353128008	SET SCREW
02	380067002	BOBBIN WINDER STOPPER
03	301009001	WASHER
04	301193003	NUT
05	610213018	SPOOL PIN
06	301008000	SET SCREW
07	610003013	REAR COVER
08	301151009	NUT
09	610505009	THREAD GUIDE COMP
10	301016001	SET SCREW
11	610032011	TIME ADJUSTING COVER
12	610028003	RUBBER FOOT
13	000016043	SCREW
14	250125014	ADJUSTING HOLE PLUG(W)
15	356017002	SET SCREW
16	610006016	FACE PLATE
17	270092002	FACE PLATE HEAT-SHIELD PLATE
18	000011923	SET SCREW
19	270514005	THREAD CUTTER
20	250087002	SET SCREW
21	000011912	SET SCREW
22	610275007	WASHER
23	610266005	CHECK SPRING
24	610265004	TENSION PLATE
25	610196014	UPPER TENSION SUPPORTER
26	000016032	SCREW
27	610237247	FRONT COVER
28	750256009	NUT #
29	610029015	R DIAL
30	610219106	RATING PLATE
31	355026001	SET SCREW
32	610230114	FRONT COVER PANEL
33	610236132	BRAND LOGO
34	250010004	SET SCREW
35	000018067	SET SVREW
36	610253124	SUPPORTING FOOT (PAINTED)
37	610277009	SPRING
38	250023103	ADJUSTING FOOT
39	303075004	SERIAL MACHINE STICKER
40	610519017	EXTENSION TABLE COMP
41	301165006	SET SCREW
42	250087002	SET SCREW
43	301181008	FEED DOG BASE SPRING
44	301037008	SET SCREW



<u>ref no.</u>	<u>sunbeen part no.</u>	<u>name of parts</u>
01	610081004	BOBBIN
02	610412008	Z/Z FOOT
03	610404007	BH PRESS FOOT
04	610408001	OVERLOCK FOOT
05	301406002	BUTTON SEWING FOOT
06	610410006	BLIND STITCH FOOT
07	610411007	ZIPPER FOOT
08	650418008	CORDING FOOT
09	356472009	EMBROIDERY FOOT
10	610414011	SPOOL PIN PLATE B
11	610401015	SPOOL PIN PLATE
12	301434009	QUILTING GUIDE
13	303403005	BUTTONHOLE KNIFE
14	610403006	NEEDLE PLATE
15	610402016	SUB-SPOOL PIN
16	353409006	OIL KETTLE
17	301652304	NEEDLE BOX COMP
18	301439004	SCREW DRIVER (L)
19	301440008	SCREW DRIVER (S)
20	610439001	INSTRUCTION MANUAL
22	610415001	DUST COVER

OCT - 1 1999