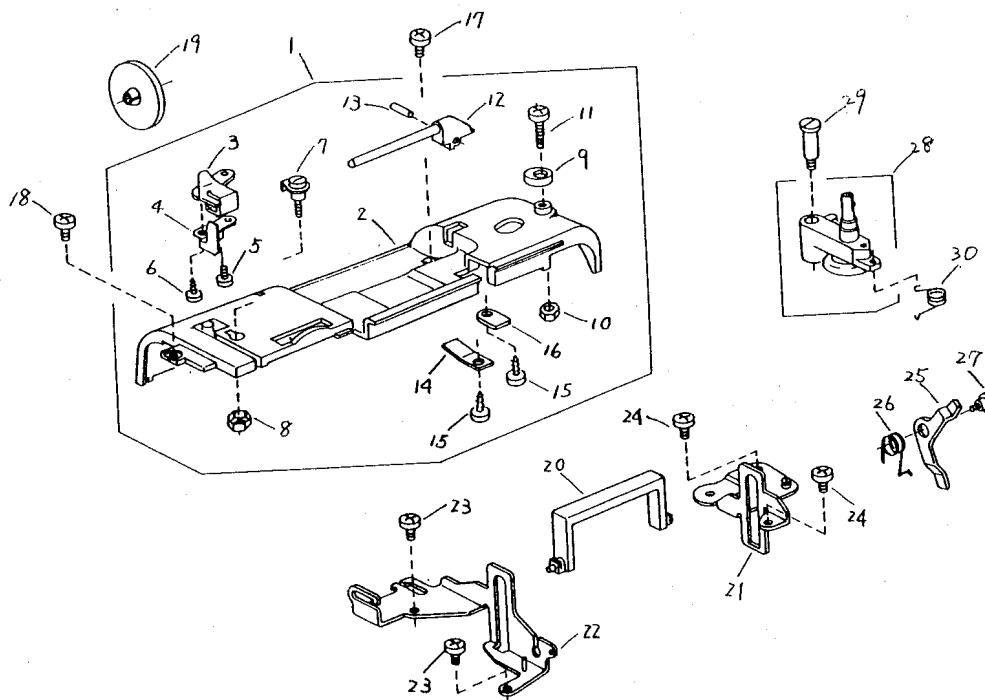
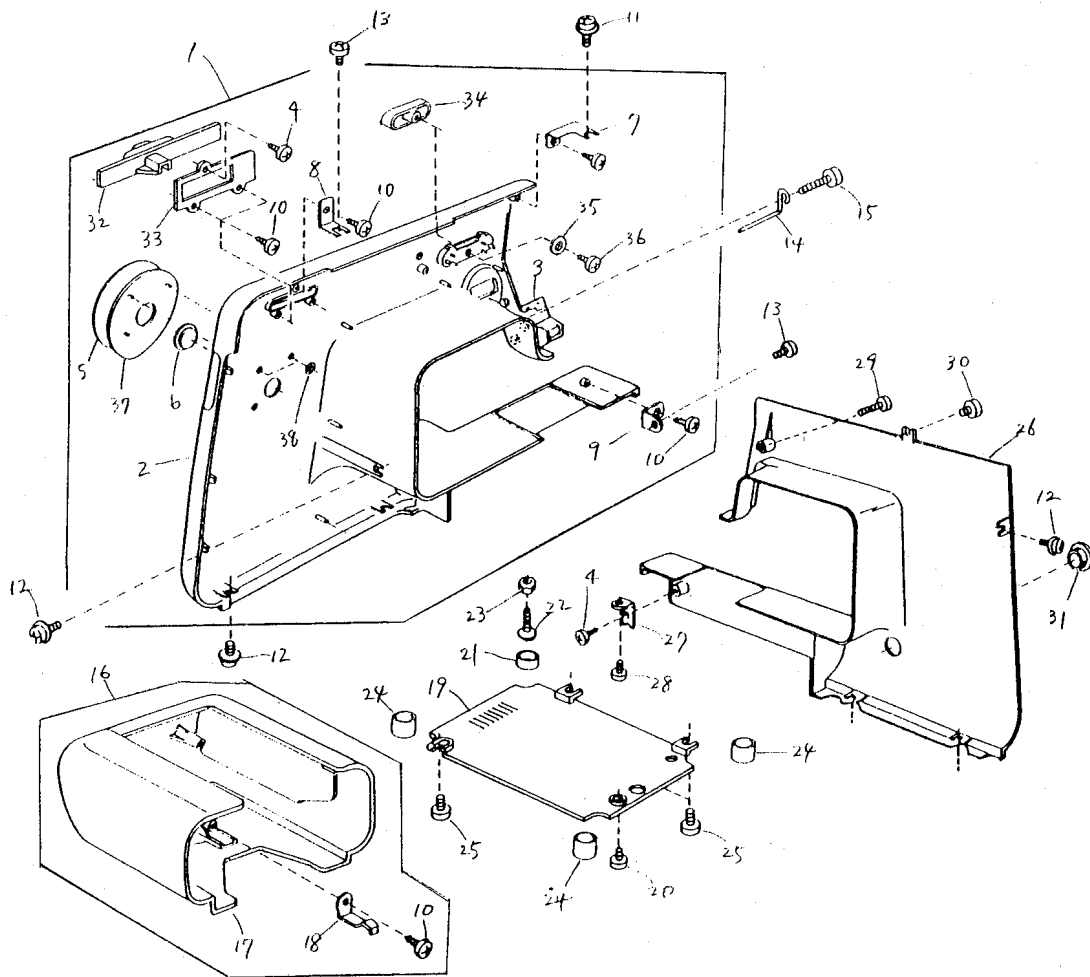


PARTS LIST



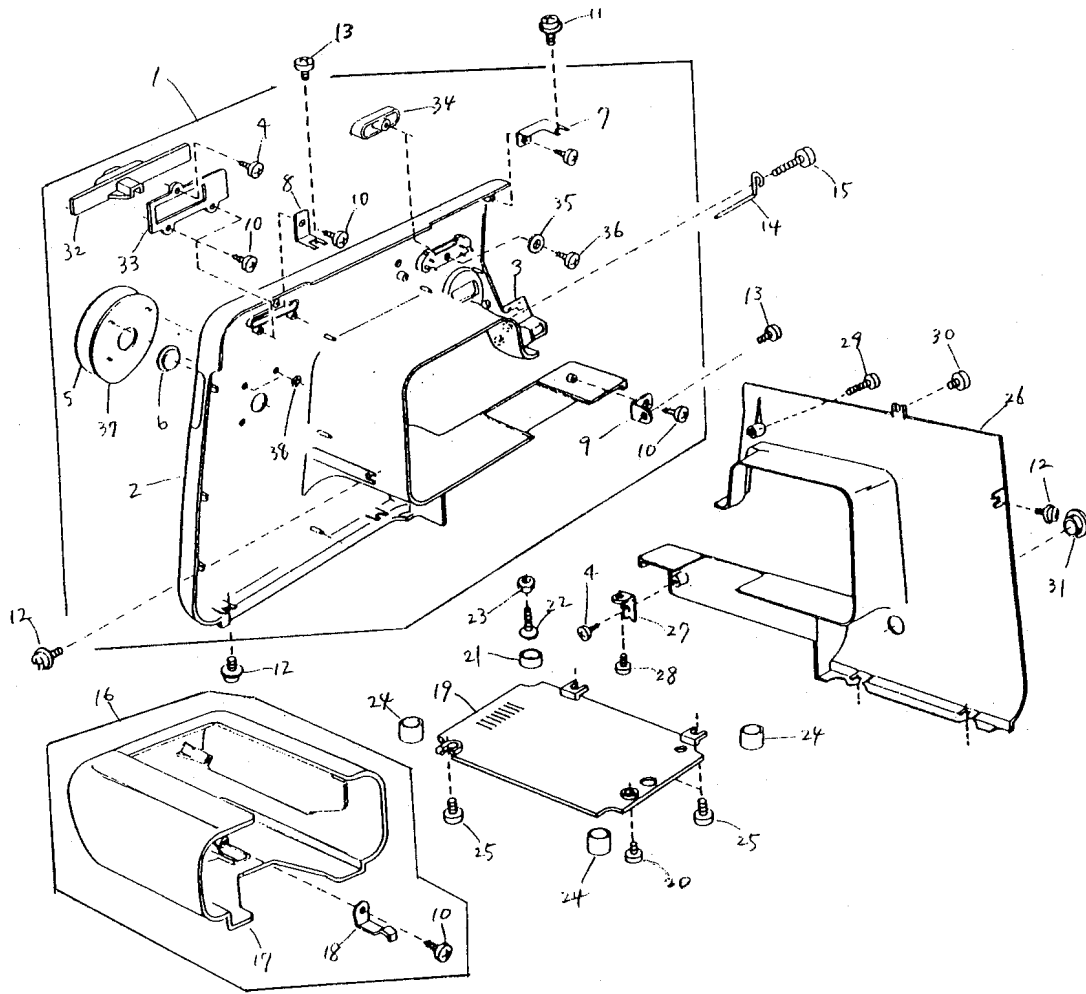
No.	Part No.	Part Name	No.	Part No.	Part Name
1	751604009	Top cover (unit)	24	000069605	Setscrew 4 x 8
2	751011003	Top cover	25	830145005	Declutch arm
3	653022000	Top cover thread guide	26	625215005	Declutch arm spring
4	751092008	Pre-tension spring	27	625214004	Setscrew
5	820374004	Setscrew 2 x 2.3	28	827506008	Bobbin winder (unit)
6	000107905	Tapping screw 3 x 6 (B)	29	652093009	Setscrew
7	730501011	Thread guide (unit)	30	823119008	Bobbin winder arm spring
8	000160102	Adjustable lock nut 4			
9	735016307	Bobbin winder stopper			
10	000061205	Hexagon nut 4-3			
11	000101828	Setscrew 4 x 16			
12	724206106	Spool pin			
13	822017002	Pin			
14	724207004	Spring			
15	000120203	Tapping screw 3 x 8 (B)			
16	653075008	Presser foot			
17	000101426	Setscrew 4 x 6			
18	810220003	Setscrew			
19	822020503	Spool holder (large)			
20	751100000	Handle			
21	751076006	Handle supporter (right)			
22	751077018	Handle supporter (left)			
23	000081005	Setscrew 4 x 8			

For N. H.

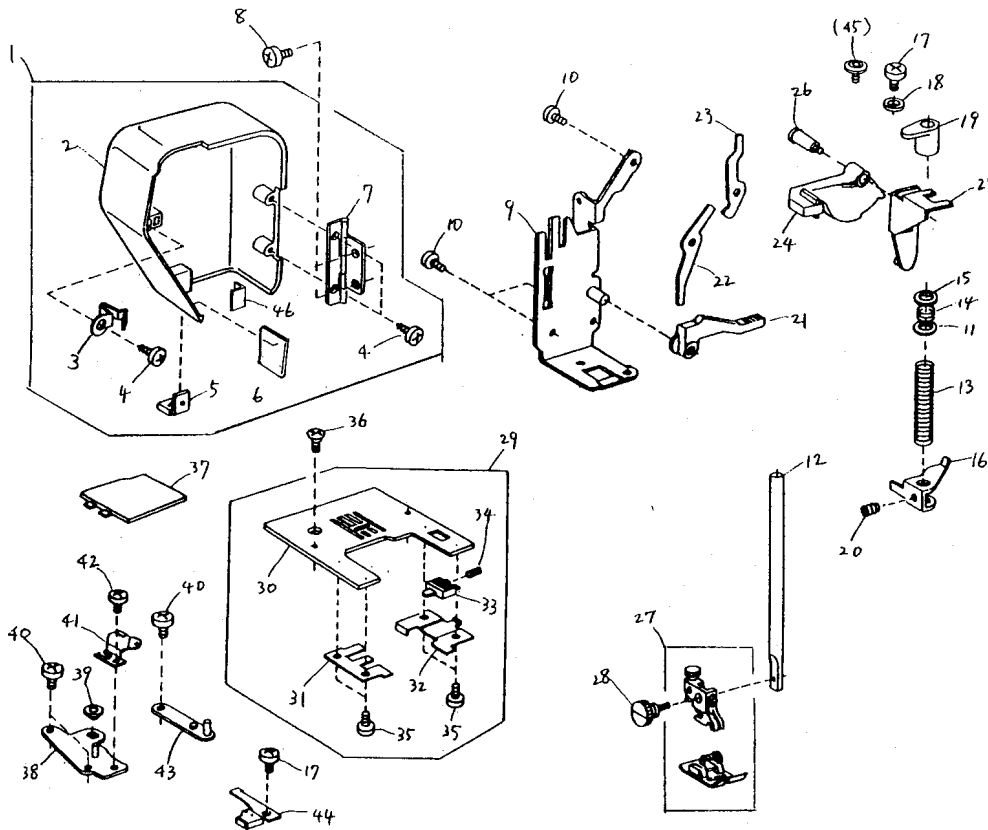


No.	Part No.	Part Name	No.	Part No.	Part Name
1	751674	Front cover (unit)	24	647009002	Bed rubber seat
2	751061	Front cover	25	000103509	Setscrew 4 x 10
3	753125007	Thread protecting plate	26	751005004	Rear cover
4	000161103	Tapping screw 3 x 6 (B)	27	827006003	Rear cover retaining plate
5	751211108	Pattern indicating window	28	000081119	Setscrew 4 x 6
6	751090109	Lens	29	000104119	Setscrew 4 x 20
7	751087000	Front cover retaining plate (front)	30	810220003	Setscrew
8	751080003	Front cover retaining plate (rear)	31	653006101	Cap
9	827069004	Front cover retaining plate (lower)	32	751111004	Zigzag width knob
10	000120203	Tapping screw 3 x 8 (B)	33	751112005	Knob holder plate
11	000115401	TP screw 3 x 4	34	751139307	Fancy plate
12	000115607	TP screw 4 x 8	35	000071208	Plain washer 2.5
13	000101404	Setscrew 4 x 6	36	000161701	Tapping screw 2.3 x 5 (B)
14	753126008	Arm thread guide	37	751089002	Pattern indicating window frame
15	000093608	Setscrew 3.5 x 30	38	000013707	Snap ring CS-2.4
16	751602007	Extension table (unit)			
17	751501005	Extension table (unit)			
18	751096002	Extension table spring			
19	751003002	Base			
20	000081005	Setscrew 4 x 8			
21	735002001	Rubber seat			
22	000192103	Setscrew 5 x 25			
23	000061412	Hexagon nut 5-3			

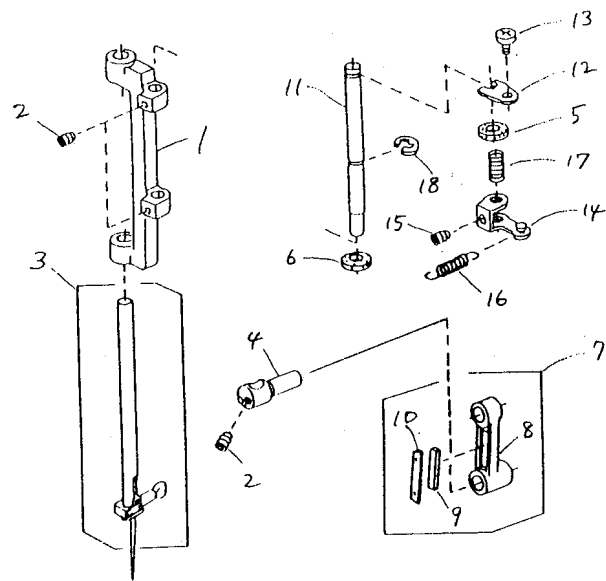
For the United Kingdom



No.	Part No.	Part Name	No.	Part No.	Part Name
1	751674000	Front cover (unit)	24	647009002	Bed rubber seat
2	751061709	Front cover	25	000103509	Setscrew 4 x 10
3	753125007	Thread protecting plate	26	751005004	Rear cover
4	000161103	Tapping screw 3 x 6 (B)	27	827006003	Rear cover retaining plate
5	751211108	Pattern indicating window	28	000081119	Setscrew 4 x 6
6	751090109	Lens	29	000104119	Setscrew 4 x 20
7	751087000	Front cover retaining plate (front)	30	810220003	Setscrew
8	751080003	Front cover retaining plate (rear)	31	653006101	Cap
9	827069004	Front cover retaining plate (lower)	32	751111004	Zigzag width knob
10	000120203	Tapping screw 3 x 8 (B)	33	751112005	Knob holder plate
11	000115401	TP screw 3 x 4	34	751139204	Fancy plate
12	000115607	TP screw 4 x 8	35	000071208	Plain washer 2.5
13	000101404	Setscrew 4 x 6	36	000161701	Tapping screw 2.3 x 5 (B)
14	753126008	Arm thread guide	37	751089002	Pattern indicating window frame
15	000093608	Setscrew 3.5 x 30	38	000013707	Snap ring CS-2.4
16	751602007	Extension table (unit)			
17	751501005	Extension table (unit)			
18	751096002	Extension table spring			
19	751003002	Base			
20	000081005	Setscrew 4 x 8			
21	735002001	Rubber seat			
22	000192103	Setscrew 5 x 25			
23	000061412	Hexagon nut 5-3			

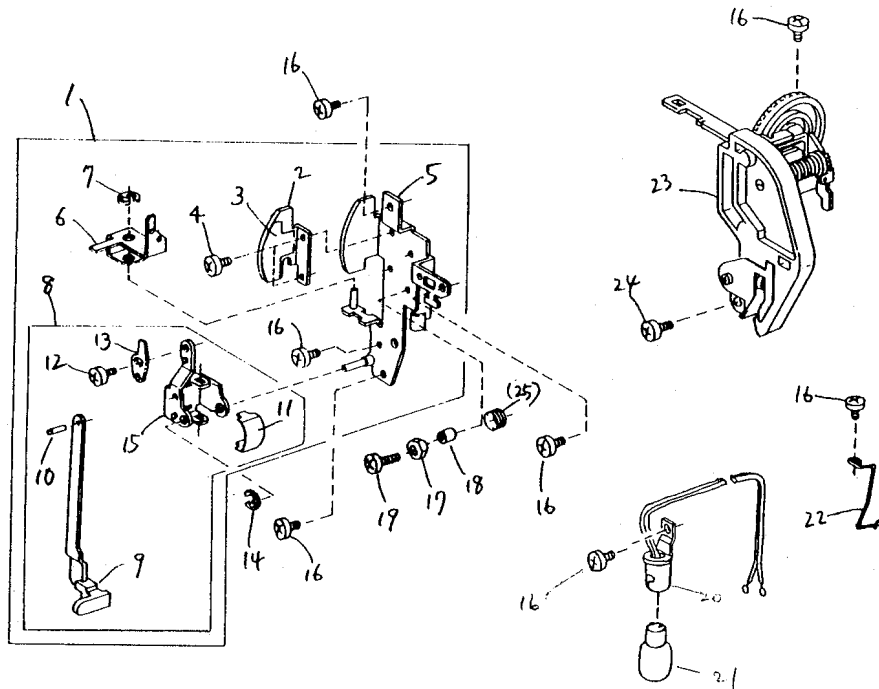


No.	Part No.	Part Name	No.	Part No.	Part Name
1	751658008	Face plate (unit)	24	829013009	Pressure adjusting lever
2	751012004	Face plate	25	829014000	Pressure adjusting plate
3	731067002	Face plate spring	26	820090003	Setscrew
4	000076317	Setscrew 3 x 10	27	822525008	Presser foot (unit)
5	822532008	Thread cutter (unit)	28	647112009	Thumb screw
6	724025006	Face plate reflecting plate (2)	29	827605008	Needle plate complete (unit)
7	366501009	Face plate hinge (unit)	30	827010000	Needle plate complete (unit)
8	000081119	Setscrew 4 x 6	31	825014008	Slide plate holder (left)
9	827020014	Presser bar mechanism	32	825015010	Slide plate holder (right)
10	000081005	Setscrew 4 x 8	33	825016000	Slide plate holder piece
11	652201002	Seat plate	34	825017001	Square plate holder piece spring
12	827021004	Presser bar	35	820374004	Setscrew 2 x 2.3
13	826006011	Presser bar spring	36	820390109	Needle plate setscrew
14	826056005	Auxiliary pressure spring	37	750036001	Slide plate
15	826055004	Plain washer	38	751008007	Needle plate adjusting plate (left)
16	735028014	Presser bar bracket	39	822314002	Nut
17	810220003	Setscrew	40	000066705	Setscrew 3 x 8
18	000070506	Plain washer	41	822011109	Reversing stopper
19	652104004	Presser bar bushing	42	000103808	Setscrew 3 x 5
20	000111500	Hexagon socket screw 4 x 8	43	751009008	Needle plate adjusting plate (right)
21	735029004	Presser foot lifter	44	751502006	Rotation stopper (unit)
22	827022005	Thread tension release lever (1)	(45)	000193001	TP screw (4 x 6) (made in Japan)
23	827023006	Thread tension release lever (2)	46	724024005	Face plate reflecting plate (1)



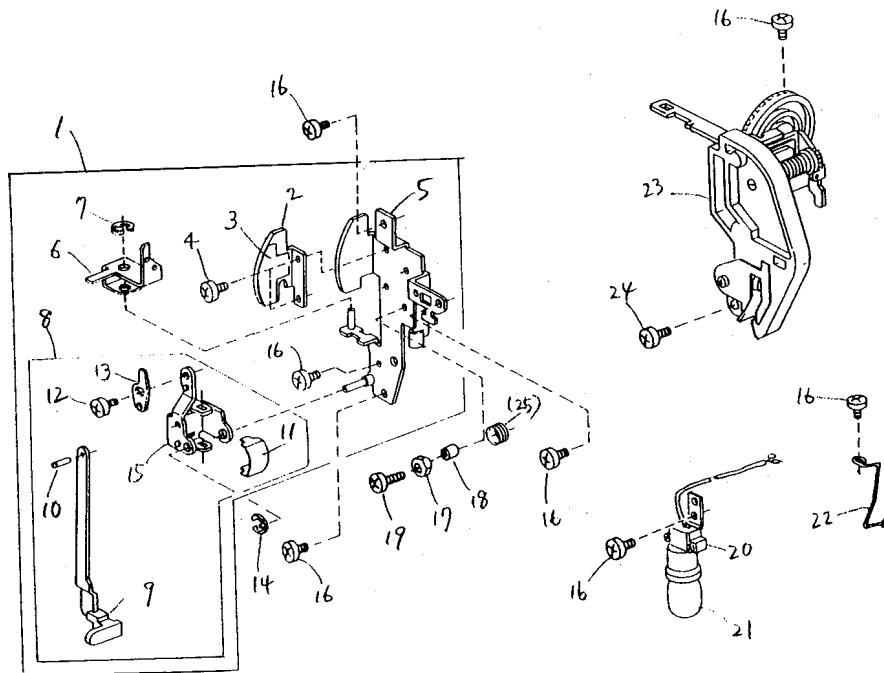
No.	Part No.	Part Name	No.	Part No.	Part Name
1	751014006	Needle bar supporter			
2	000111201	Hexagon socket screw 4 x 4			
3	751503007	Needle bar (unit)			
4	751047008	Needle bar connecting stud			
5	822063003	Felt (1)			
6	652044005	Felt			
7	650607006	Needle bar crank rod (unit)			
8	650039001	Needle bar crank rod			
9	650040005	Felt			
10	650041006	Felt holder spring			
11	650033005	Supporter shaft			
12	650034006	Supporter shaft stopper			
13	000101404	Setscrew 4 x 6			
14	650035007	Zigzag width crank			
15	000111108	Hexagon socket screw 4 x 6			
16	650037009	Supporter spring			
17	650036008	Supporter shaft spring			
18	000001609	Snap ring E-5			

For N.H.

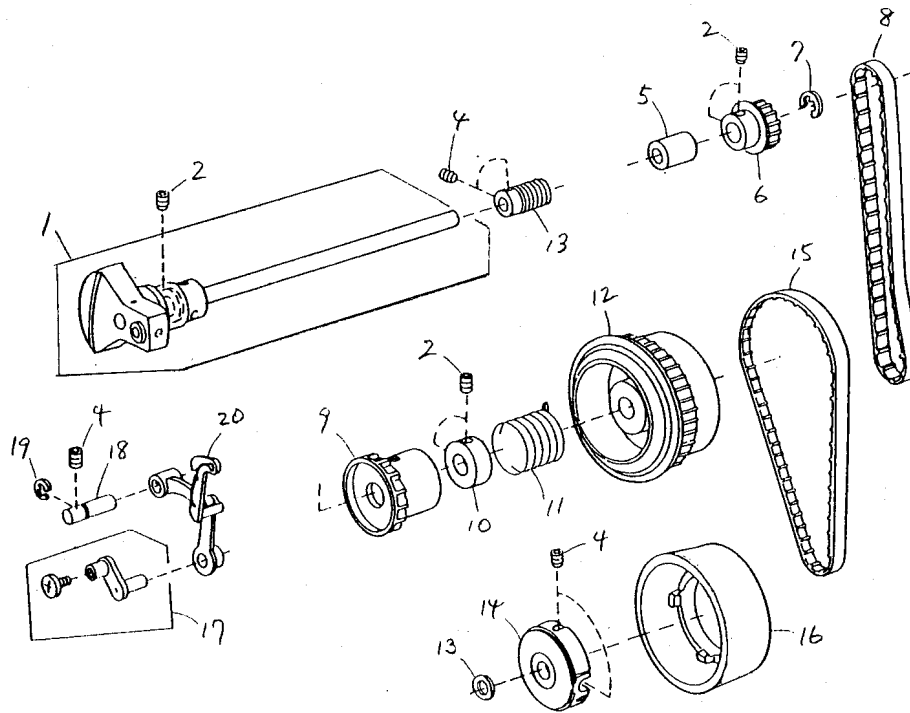


No.	Part No.	Part Name	No.	Part No.	Part Name
1	751647004	Front bracket (unit)	24	000093309	Setscrew 4 x 14
2	751122008	Switch holder plate	(25)	751195002	Supporter stopper spring (made in Japan)
3	829016002	Pressure adjusting sticker			
4	652203004	Setscrew 3 x 3.5			
5	751121007	Front bracket			
6	751022007	Drag rod link (front)			
7	000002105	Snap ring E-3			
8	751657007	BH lever (unit)			
9	751610008	BH lever (unit)			
10	000023009	S.P. 1.6 x 4			
11	753027008	Friction spring			
12	652203004	Setscrew 3 x 3.5			
13	753029000	BH lever adjusting plate			
14	000001207	Snap ring E-2.5			
15	753026007	BH lever supporter			
16	000101404	Setscrew 4 x 6			
17	000160102	Adjustable lock nut 4			
18	685042005	Supporter stopper			
19	000097200	Setscrew 4 x 12			
20	740510207	Lamp socket (unit)			
21	000009803	Lamp 120V 15W			
22	652137006	Arm thread guide (2)			
23	751515105	Thread tension dial (unit)			

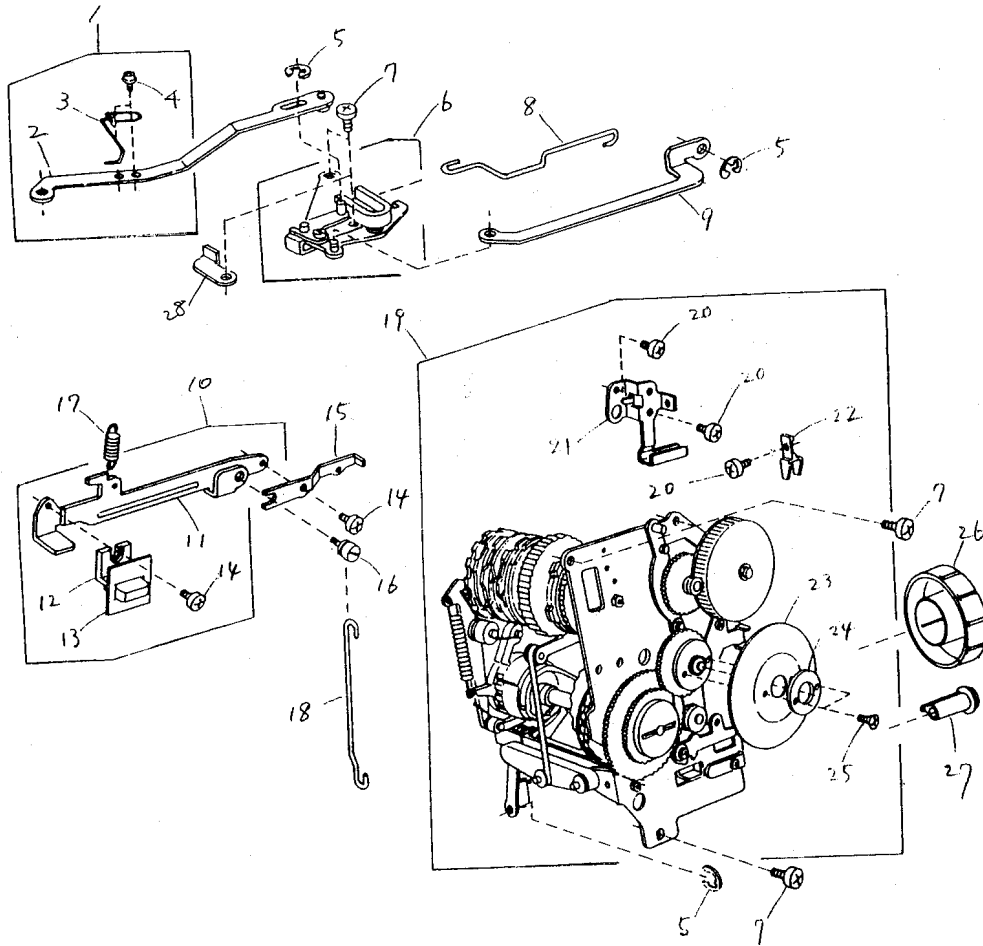
For the United Kingdom



No.	Part No.	Part Name	No.	Part No.	Part Name
1	751647004	Front bracket (unit)	24	000093309	Setscrew 4 x 14
2	751122008	Switch holder plate	(25)	751195002	Supporter stopper spring (made in Japan)
3	829016002	Pressure adjusting sticker			
4	652203004	Setscrew 3 x 3.5			
5	751121007	Front bracket			
6	751022007	Drag rod link (front)			
7	000002105	Snap ring E-3			
8	751657007	BH lever (unit)			
9	751610008	BH lever (unit)			
10	000023009	S.P 1.6 x 4			
11	753027008	Friction spring			
12	652203004	Setscrew 3 x 3.5			
13	753029000	BH lever adjusting plate			
14	000001207	Snap ring E-2.5			
15	753026007	BH lever supporter			
16	000101404	Setscrew 4 x 6			
17	000160102	Adjustable lock nut 4			
18	685042005	Supporter stopper			
19	000097200	Setscrew 4 x 12			
20	740618002	Lamp socket (unit)			
21	000009009	Lamp 240V 15W			
22	652137006	Arm thread guide (2)			
23	751515105	Thread tension dial (unit)			

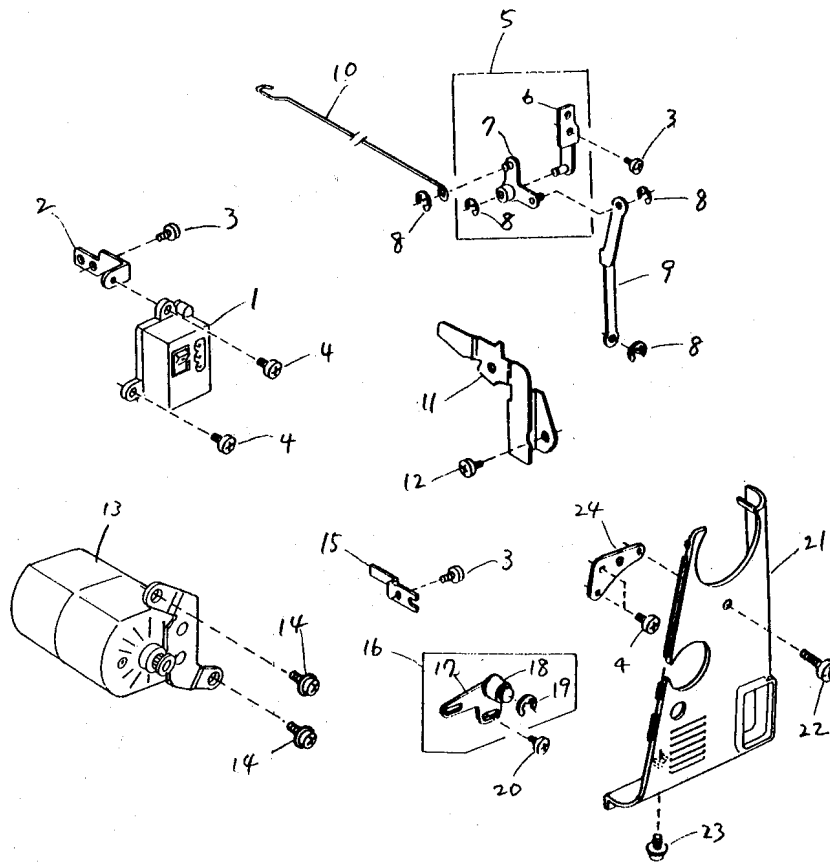


No.	Part No.	Part Name	No.	Part No.	Part Name
1	827518	Upper shaft (unit)			
2	000111304	Hexagon socket screw 5 x 5			
3	650060001	Worm gear			
4	000111201	Hexagon socket screw 4 x 4			
5	673062004	Upper shaft rear metal			
6	732026002	Upper shaft timing wheel			
7	000030205	Snap ring E-8			
8	650071005	Timing belt			
9	653055002	Declutch release ring			
10	653056003	Clutch ring			
11	653057004	Clutch spring			
12	653058005	Belt wheel			
13	000036706	Thrust washer FT100			
14	830286009	Balance wheel base			
15	653139012	Timing belt			
16	653061115	Balance wheel			
17	652512009	Needle bar crank pin (unit)			
18	650062003	Thread take-up lever shaft			
19	000001702	Snap ring E-6			
20	820511108	Thread take-up lever (unit)			



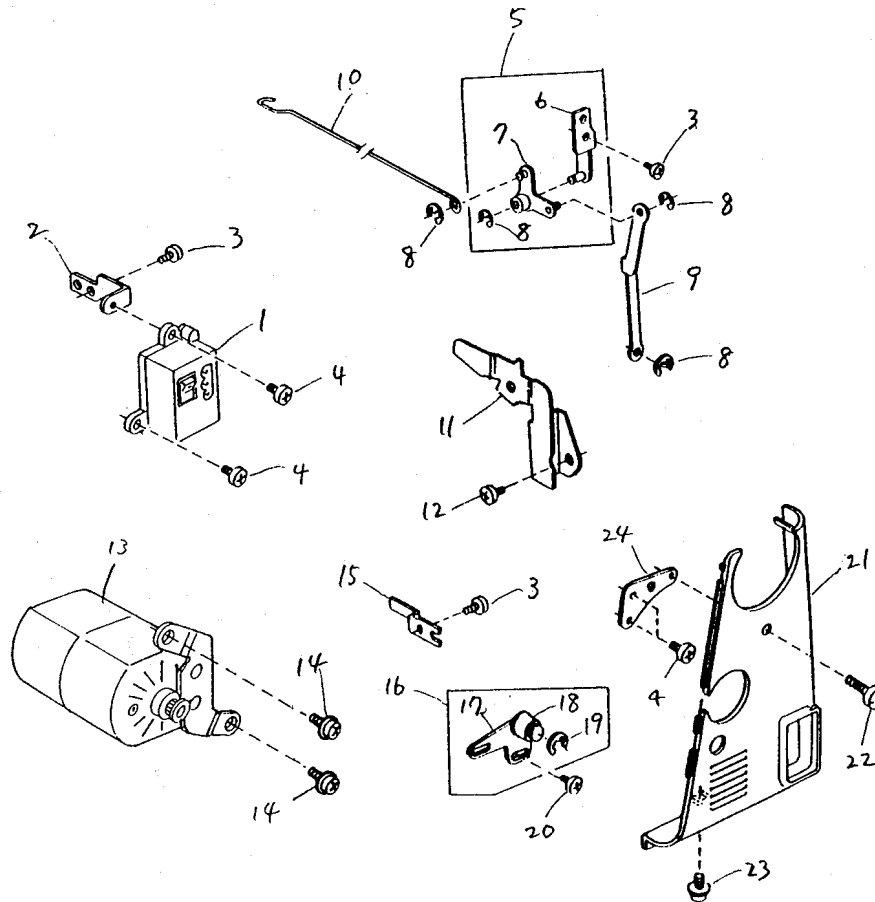
No.	Part No.	Part Name	No.	Part No.	Part Name
1	654642005	Zigzag width rod (front) (unit)	24	751099005	Pattern plate holder
2	753186006	Zigzag width rod (front)	25	000163208	Setscrew 2 x 5 (B)
3	654129001	Thread tension lever	26	751051005	Selector dial
4	000115803	TP screw 2 x 6	27	650162509	SS adjusting knob
5	000002105	Snap ring E-3	28	688003003	Zigzag stopper
6	686618001	Zigzag width crank (unit)			
7	000081005	Setscrew 4 x 8			
8	751058002	Zigzag width rod			
9	751059003	Zigzag width adjusting rod			
10	751623004	R lever (unit)			
11	751054008	R lever (1)			
12	751055102	R button			
13	751056000	R lever cover			
14	000101105	Setscrew 3 x 4			
15	653120009	R lever (2)			
16	751057001	R lever shaft			
17	751083006	R lever spring			
18	751095001	R rod			
19	751648005	Control mechanism block (unit)			
20	000103808	Setscrew 3 x 5			
21	751046007	Board holder plate			
22	751078008	Pattern positioning plate			
23	751045408	Pattern plate			

For N. H.



No.	Part No.	Part Name	No.	Part No.	Part Name
1	739505001	Machine socket (unit)	24	827085017	Belt cover retaining plate
2	751137006	Machine socket holder plate			
3	000101404	Setscrew 4 x 6			
4	000081005	Setscrew 4 x 8			
5	751645002	Link base plate (unit)			
6	751113006	Link base plate			
7	751114007	Drag rod link			
8	000002105	Snap ring E-3			
9	751115008	BH drag rod (2)			
10	751068005	BH drag rod			
11	751117000	Cord guide (1)			
12	000103705	Setscrew 4 x 5			
13		Motor (unit) M-1062			
14	000115504	TP screw 5 x 10			
15	751073003	Cord holder			
16	753619003	Idler (unit)			
17	753119008	Idler base			
18	625217100	Idler			
19	000002806	Snap ring E-6			
20	810220003	Setscrew			
21	751136201	Belt cover			
22	000080901	Setscrew 4 x 25			
23	000115607	TP screw 4 x 8			

For the United Kingdom



No.	Part No.	Part Name	No.	Part No.	Part Name
1	739503009	Machine socket (unit)	24	827085017	Belt cover retaining plate
2	751137006	Machine socket holder plate			
3	000101404	Setscrew 4 x 6			
4	000081005	Setscrew 4 x 8			
5	751645002	Link base plate (unit)			
6	751113006	Link base plate			
7	751114007	Drag rod link			
8	000002105	Snap ring E-3			
9	751115008	BH drag rod (2)			
10	751068005	BH drag rod			
11	751117000	Cord guide (1)			
12	000103705	Setscrew 4 x 5			
13		Motor (unit) M-2079			
14	000115504	TP screw 5 x 10			
15	751073003	Cord holder			
16	753619003	Idler (unit)			
17	753119008	Idler base			
18	625217100	Idler			
19	000002806	Snap ring E-6			
20	810220003	Setscrew			
21	751136201	Belt cover			
22	000080901	Setscrew 4 x 25			
23	000115607	TP screw 4 x 8			

