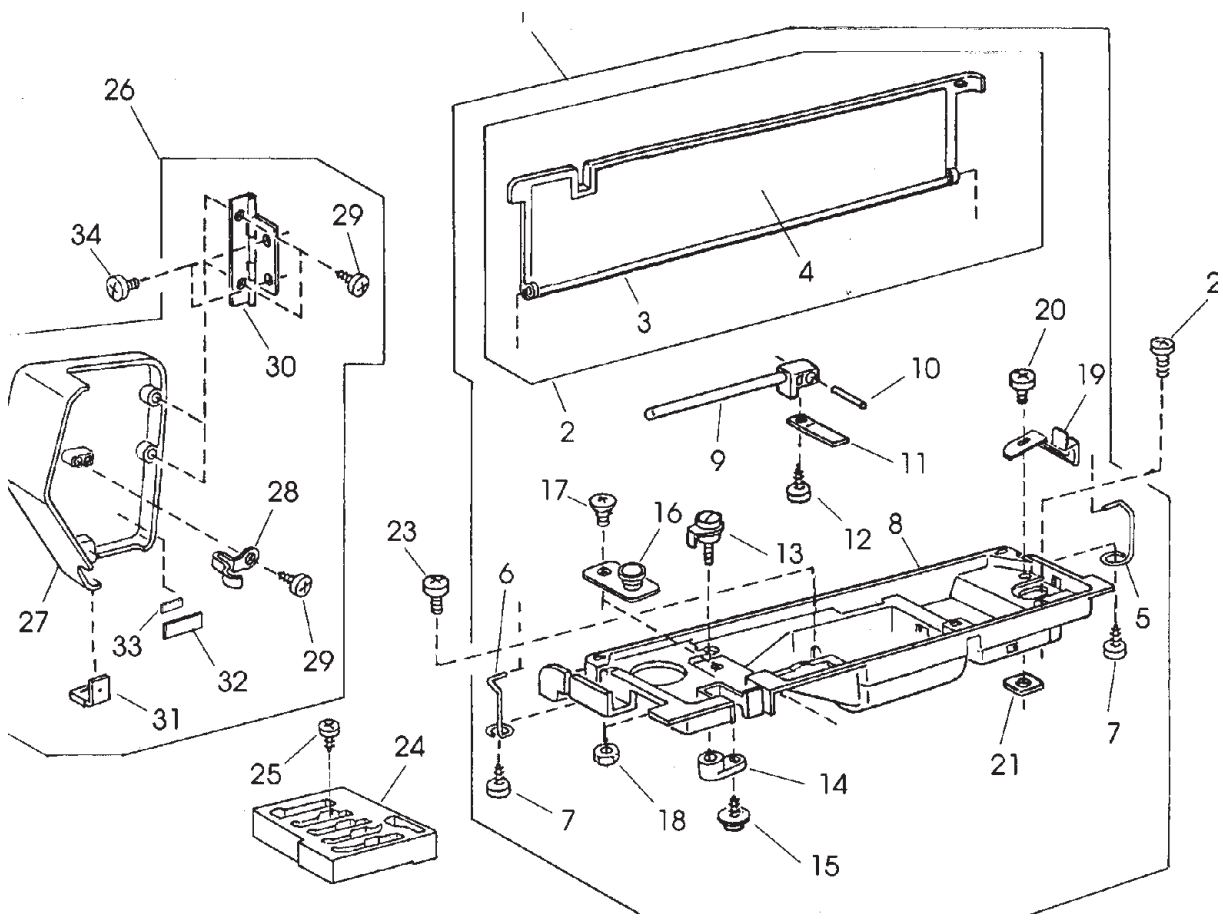


# PARTS LIST

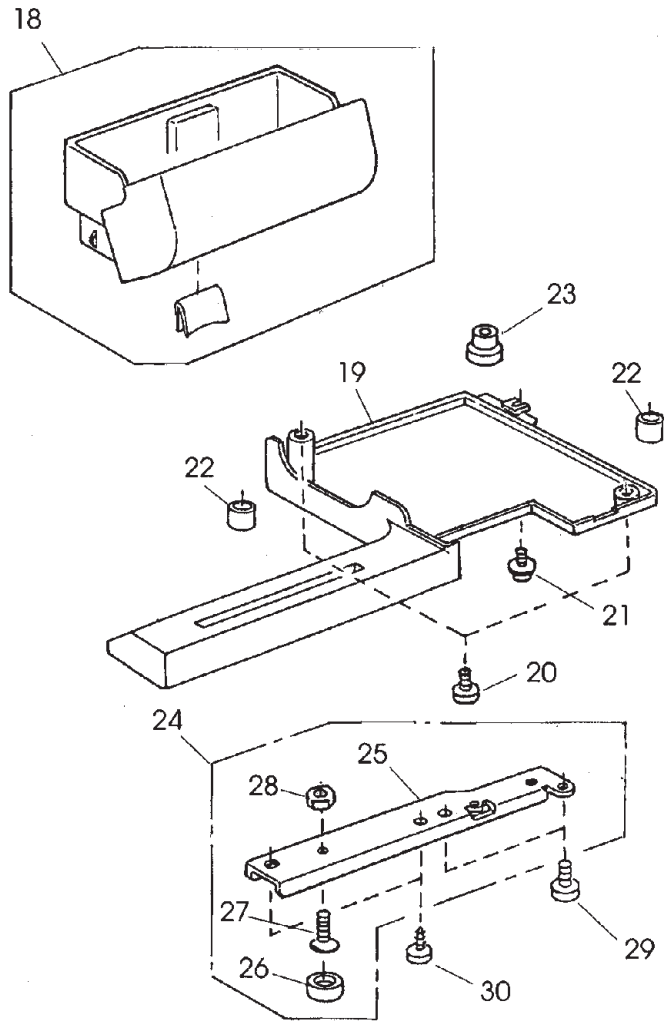
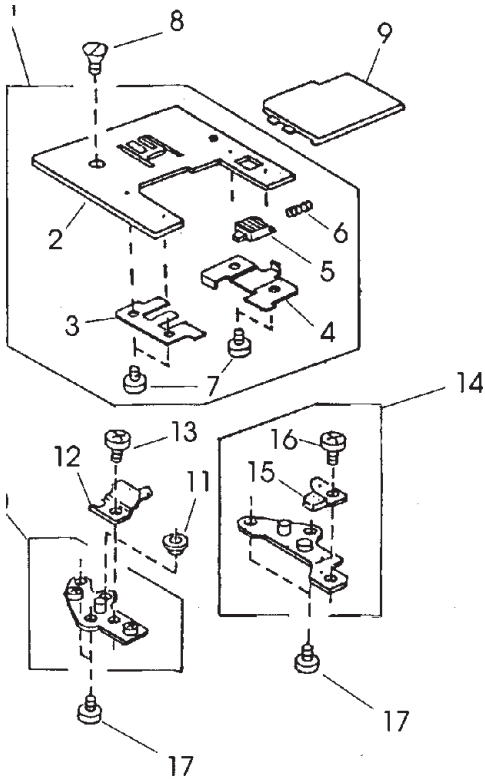
## MODEL 5124

This parts list is applicable to a machine of which electrical rating for light bulb shows " 12V, 5W " .

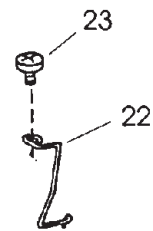
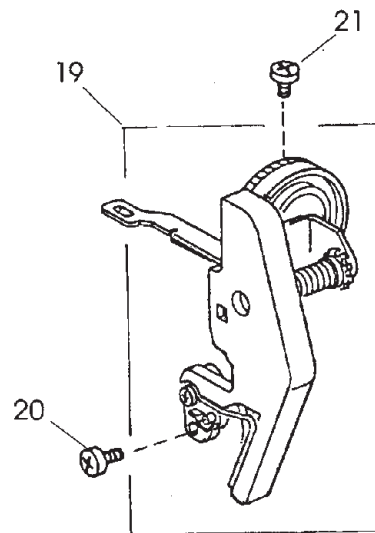
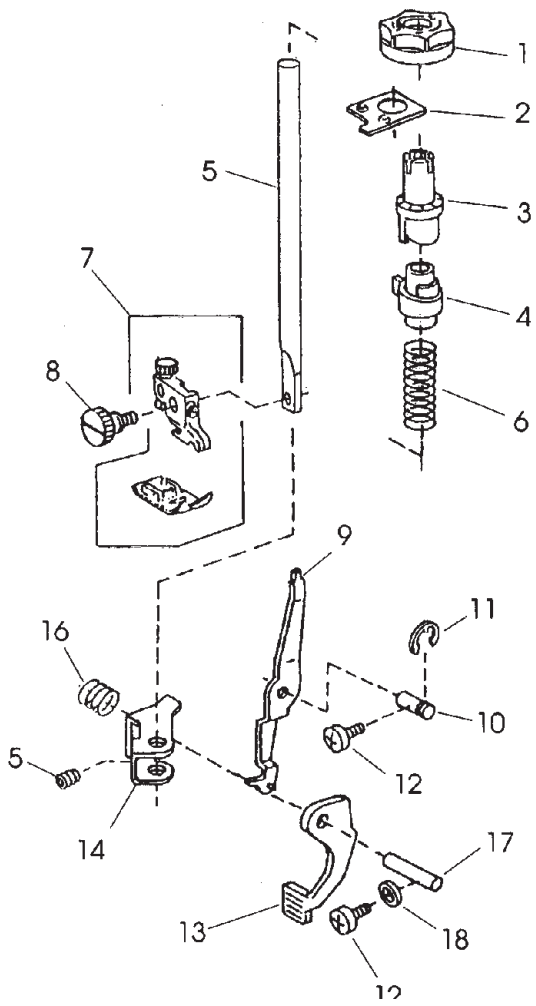
Specification code: 757-725-005 for U.S.A. (T-23161)  
757-751-022 for Continental Europe  
757-751-011 for Australia



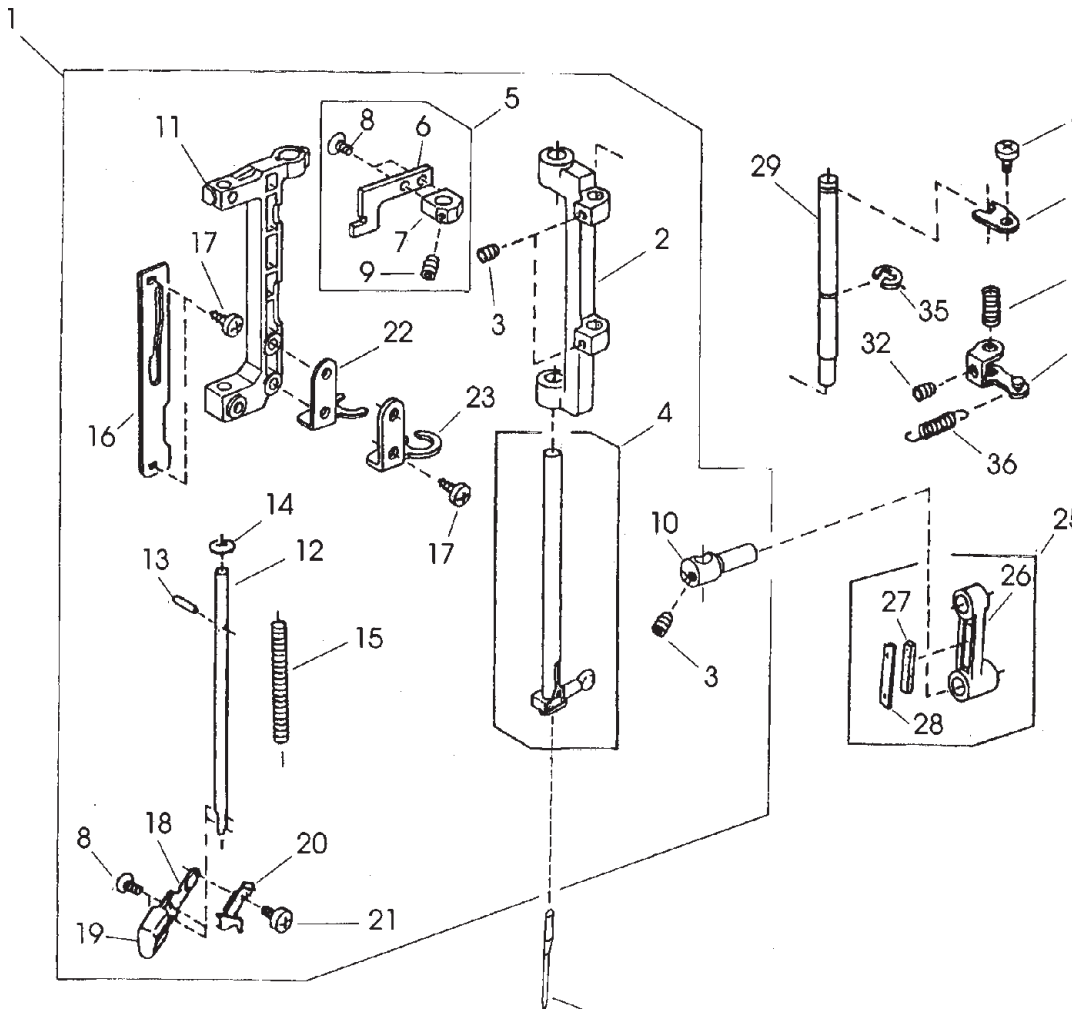
No.	Part No.	Name
1	753604854	Top cover unit
2	753605958	Top cover unit
3	753012000	Top cover
4	757003000	Flip-top sewing instruction panel
5	753014002	Hinge rod (right)
6	753129001	Hinge rod (left)
7	000120203	Set screw
8	753015003	Top cover body
9	822016609	Spool pin
10	822017002	Pin
11	822018003	Spring
12	000107318	Set screw
13	730501011	Bobbin winder thread guide unit
14	822021009	Thread guide holder
15	000149002	Set screw
16	753502002	Top cover thread guide holder unit
17	693093006	Set screw
18	000062701	Nut
19	687022005	Bobbin winder stopper
20	000066727	Set screw
21	630005006	Nut
22	000170507	Set screw
23	000080901	Set screw
24	754044004	Foot container
25	000120214	Set screw
26	757602038	cover unit for U.S.A.
	757602304	Face cover unit for Australia
	757602304	Face cover unit for EU & Australia
27	757004001	Face cover
28	731067002	Face cover spring
29	000161206	Set screw
30	366501102	Face cover hinge
31	840602006	Thread cutter
32	830312016	Sticker for USA
33	100770001	Sticker for U.S.A. Australia & Continental Europe
34	000081119	Set screw



No.	Part No.	Name
1	754636102	Needle plate unit
2	754052108	Needle plate
3	825014008	Hook cover plate holder (left)
4	825015010	Hook cover plate holder (right)
5	825016000	Hook cover plate release button
6	825017001	Hook cover plate holder spring
7	820374004	Set screw
8	820390109	Set screw
9	750036012	Hook cover plate
10	650602001	Needle plate adjusting plate (left)
11	822011109	Bobbin holder stopper
12	822314002	Nut
13	000103808	Set screw
14	650603002	Needle plate adjusting plate (right)
15	627567001	Shuttle hook stopper unit
16	810220003	Set screw
17	000107503	Set screw
18	757501003	Extension table unit
19	753003019	Base
20	000081005	Set screw
21	000115205	Set screw
22	647009002	Bed rubber cushion
23	735003002	Rubber base
24	753641107	Arm sole unit
25	754002000	Arm sole
26	735002001	Rubber cushion
27	000097303	Set screw
28	000061319	Nut
29	000066808	Set screw
30	000075604	Set screw

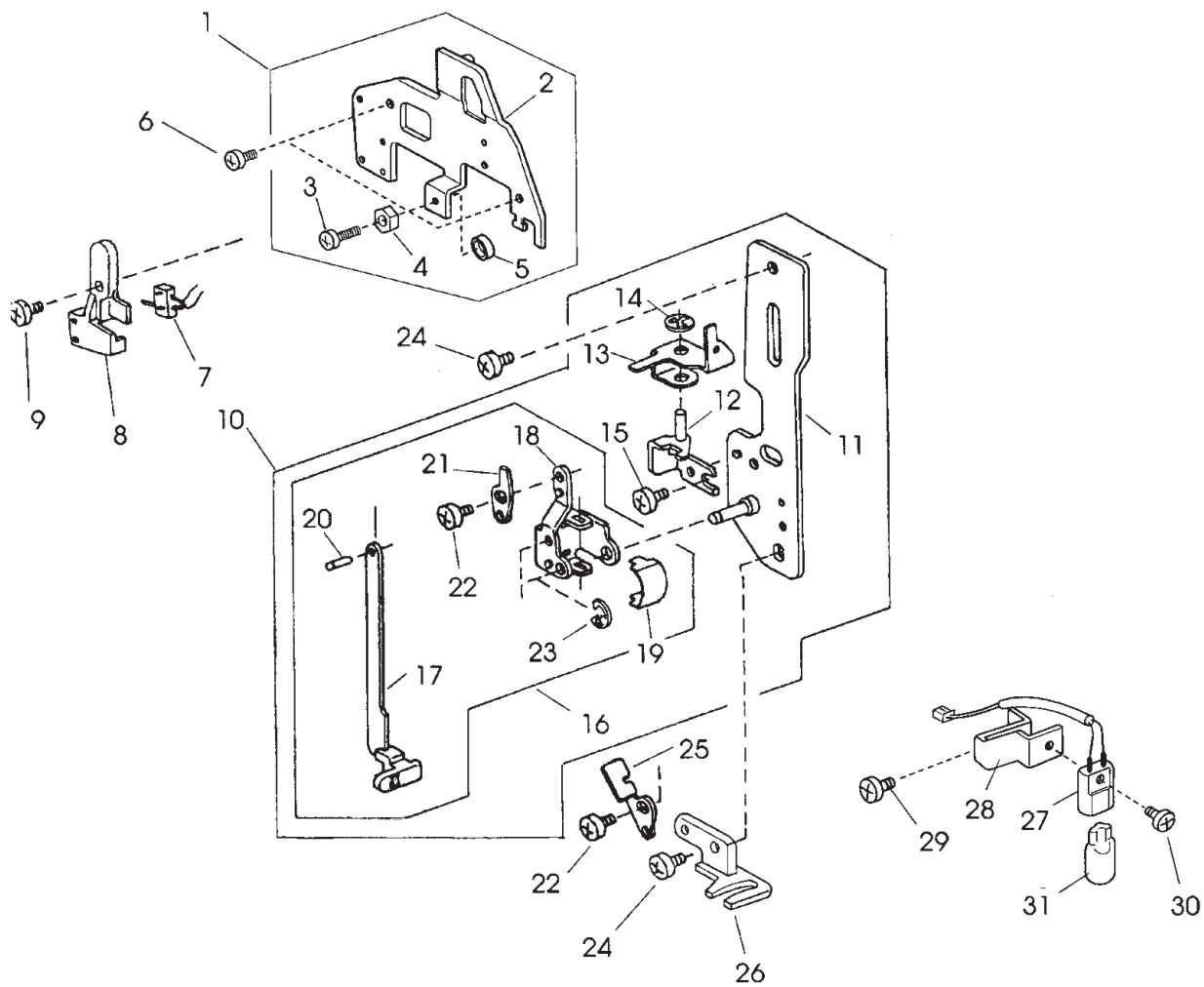


No.	Part No.	Name
1	822065201	Presser dial
2	824009007	Presser adjusting cam holder
3	686027007	Presser adjusting cam (1)
4	686028008	Presser adjusting cam (2)
5	102801008	Presser bar
6	840129004	Presser bar spring
7	829515006	Presser foot unit
8	647112009	Thumbscrew
9	652146008	Thread tension release lever
10	652042003	Thread tension release lever pin
11	000001609	Snap ring
12	000081005	Set screw
13	652145007	Presser foot lifter
14	686074009	Presser bar bracket
15	000111108	Hexagon socket screw
16	102222009	Darner spring
17	822072005	Presser bar lifter pin
18	000072302	Washer
19	757502004	Thread tension dial unit
20	000101703	Set screw
21	000115205	Set screw
22	652137006	Arm thread guide (2)
23	000101404	Set screw

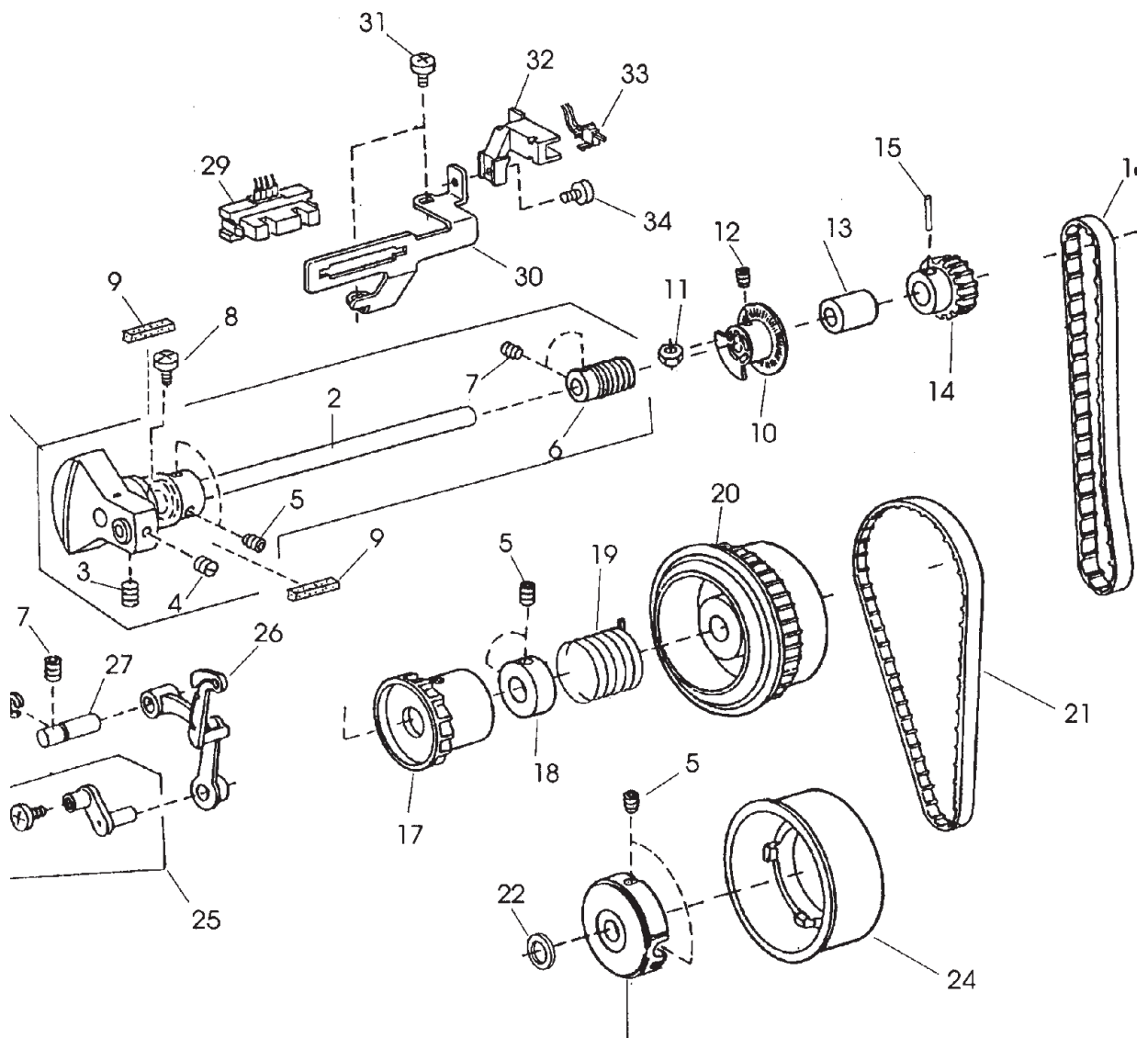




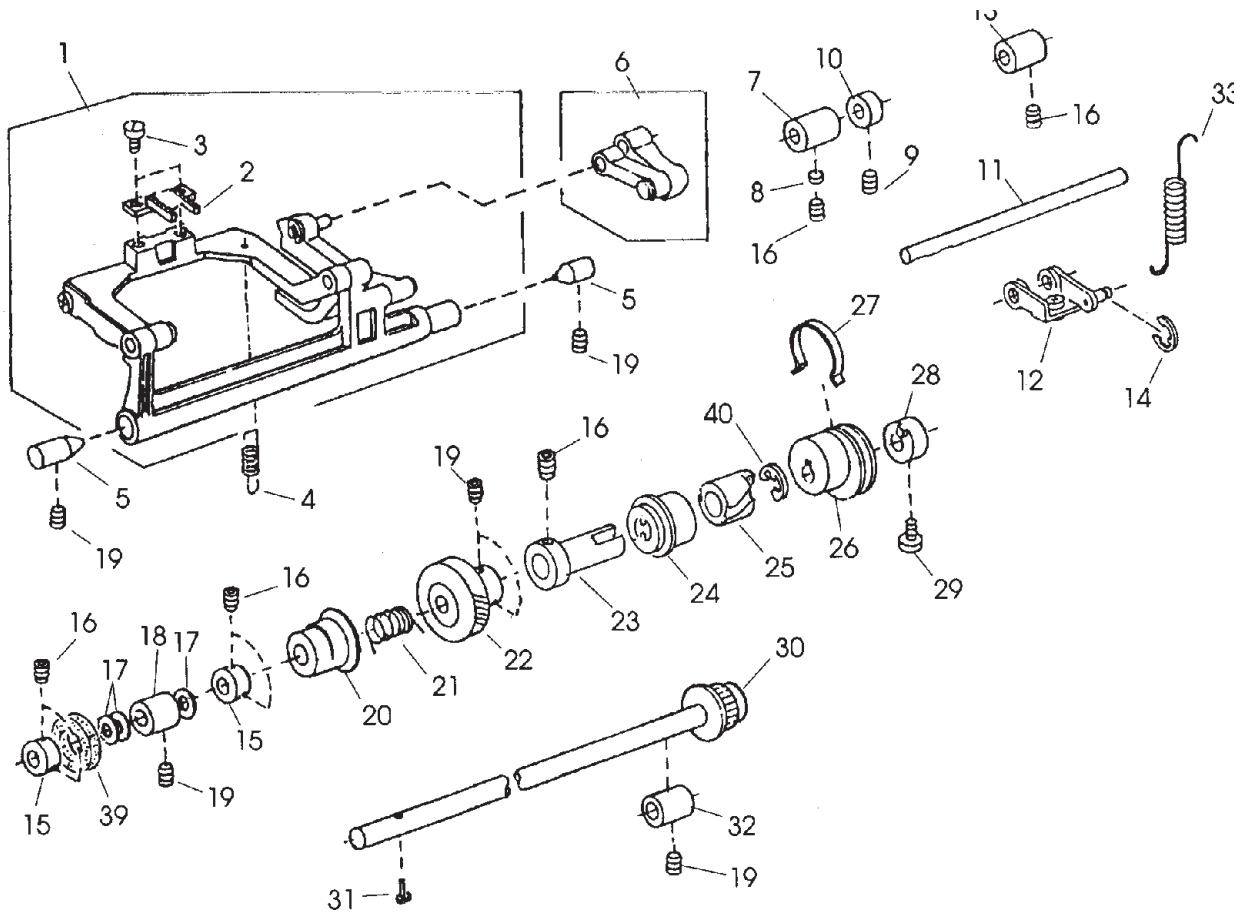
No.	Part No.	Name
1	751606001	Needle bar supporter unit
2	751014006	Needle bar supporter
3	000111201	Socket screw
4	751630004	Needle bar unit
5	751607002	Threader position set plate unit
6	734101008	Threader position set plate
7	751016008	Threader position set holder
8	000097602	Set screw
9	000111902	Set screw
10	751047008	Needle bar connecting stud complete unit
11	751017009	Threader frame
12	751018000	Threader bar
13	000122906	Pin
14	734107004	Holding plate
15	827091005	Threader bar spring
16	653036029	Threader guide plate
17	000161206	Set screw
18	734096009	Threader lever
19	734097000	Threader knob
20	734515009	Threader plate unit
21	000105501	Set screw
22	751101001	Threader frame spring
23	751019001	Threader frame (lower)
24	102408089	Needle
25	650607006	Needle bar crank rod unit
26	650039001	Needle bar crank rod
27	650040005	Oilfelt
28	650041006	Felt holder spring
29	650033005	Supporter shaft
30	650034006	Supporter shaft set plate
31	000101404	Set screw
32	000111108	Hexagon socket screw
33	650035007	Zigzag width crank
34	650036008	Spring
35	000001609	Snap ring
36	686085003	Spring



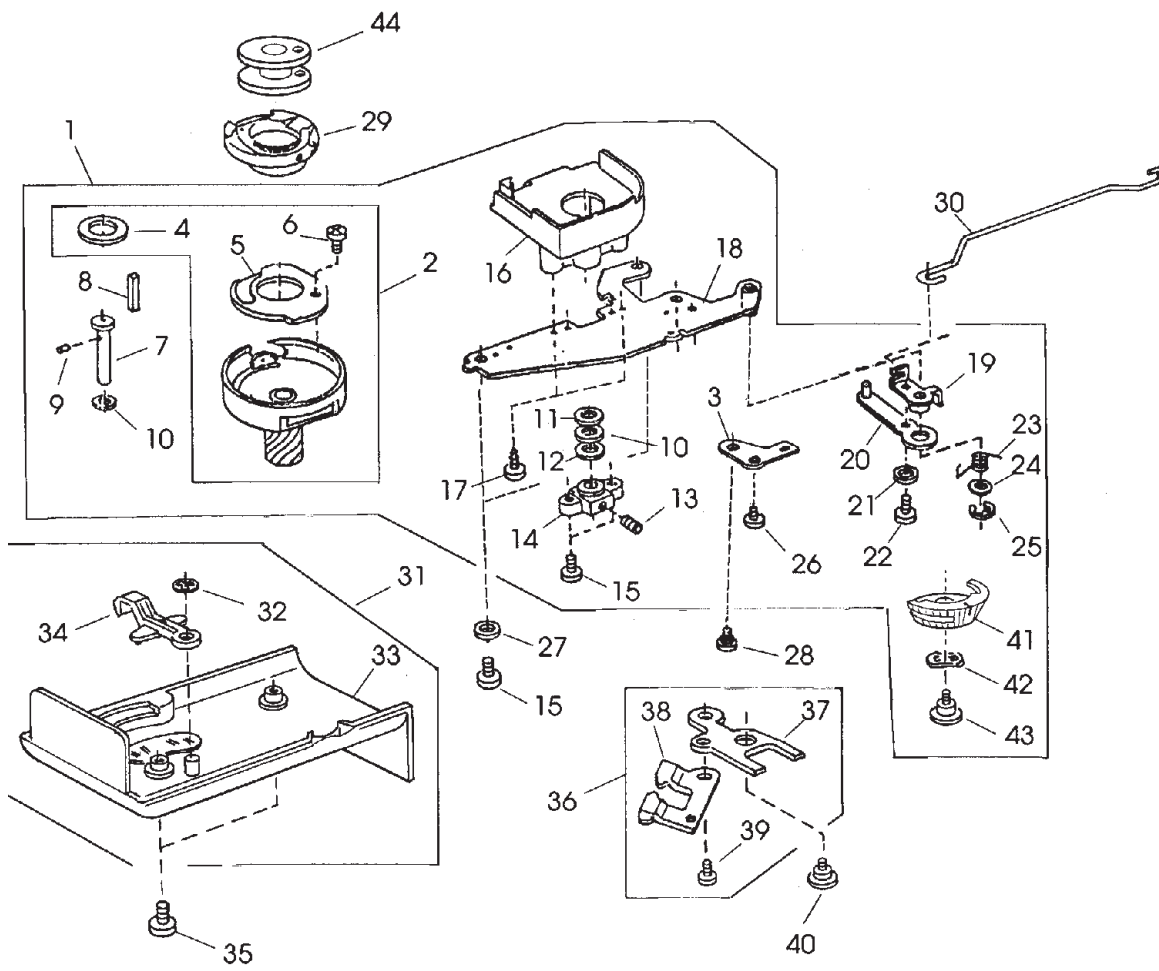
No.	Part No.	Name
1	757603006	Face plate base unit
2	757005002	Face plate base
3	000097200	Set screw
4	000160102	Adjustable nut
5	685042005	Supporter stopper
6	000081005	Set screw
7	753504004	Buttonhole limit switch
8	754056009	Switch holder
9	000078319	Set screw
10	757604100	Front base plate unit
11	757008108	Front base plate
12	753023015	Drag rod link (front) holder
13	753210000	Drag rod link (front)
14	000014007	Snap ring cs-4
15	000081119	Set screw
16	753626003	Buttonhole lever unit
17	753629109	Buttonhole lever unit
18	753160107	Buttonhole lever supporter
19	753027008	Friction spring
20	000023009	Spring pin
21	753029000	Buttonhole lever adjusting plate
22	652203004	Set screw
23	000001207	Snap ring
24	000081005	Set screw
25	753028009	Switch adjusting plate
26	757007004	Threader guide
27	501509002	Lamp socket unit
28	757062007	Lamp set plate
29	000078319	Set screw
30	000102900	Setscrew
31	000026002	Light bulb



No.	Part No.	Name
1	757605008	Upper shaft unit
2	757606009	Upper shaft unit
3	102073003	Set screw
4	761052007	Set screw
5	000111304	Hexagon socket screw
6	650060001	Worm
7	000111201	Hexagon socket screw
8	000101301	Set screw
9	731384008	Felt
10	753133101	Shielding plate
11	000061102	Nut
12	000111108	Hexagon socket screw
13	673062004	Upper shaft bushing (rear)
14	756017004	Upper shaft timing gear
15	000020501	Spring pin
16	650071005	Timing belt
17	653055002	Declutch releasing ring
18	653056003	Clutch ring
19	653057004	Clutch spring
20	653058005	Belt wheel
21	753234000	Timing belt
22	000036706	Washer
23	830286009	Hand wheel base
24	653061115	Hand wheel
25	652512009	Needle bar crank pin unit
26	820511108	Thread take-up lever unit
27	650062003	Pin
28	000002806	Snap ring
29	735514104	Photo sensor unit
30	753131006	Sensor holder plate
31	000081005	Set screw
32	753132007	Switch holder
33	753505005	Bobbin winder switch unit
34	000078319	Set screw

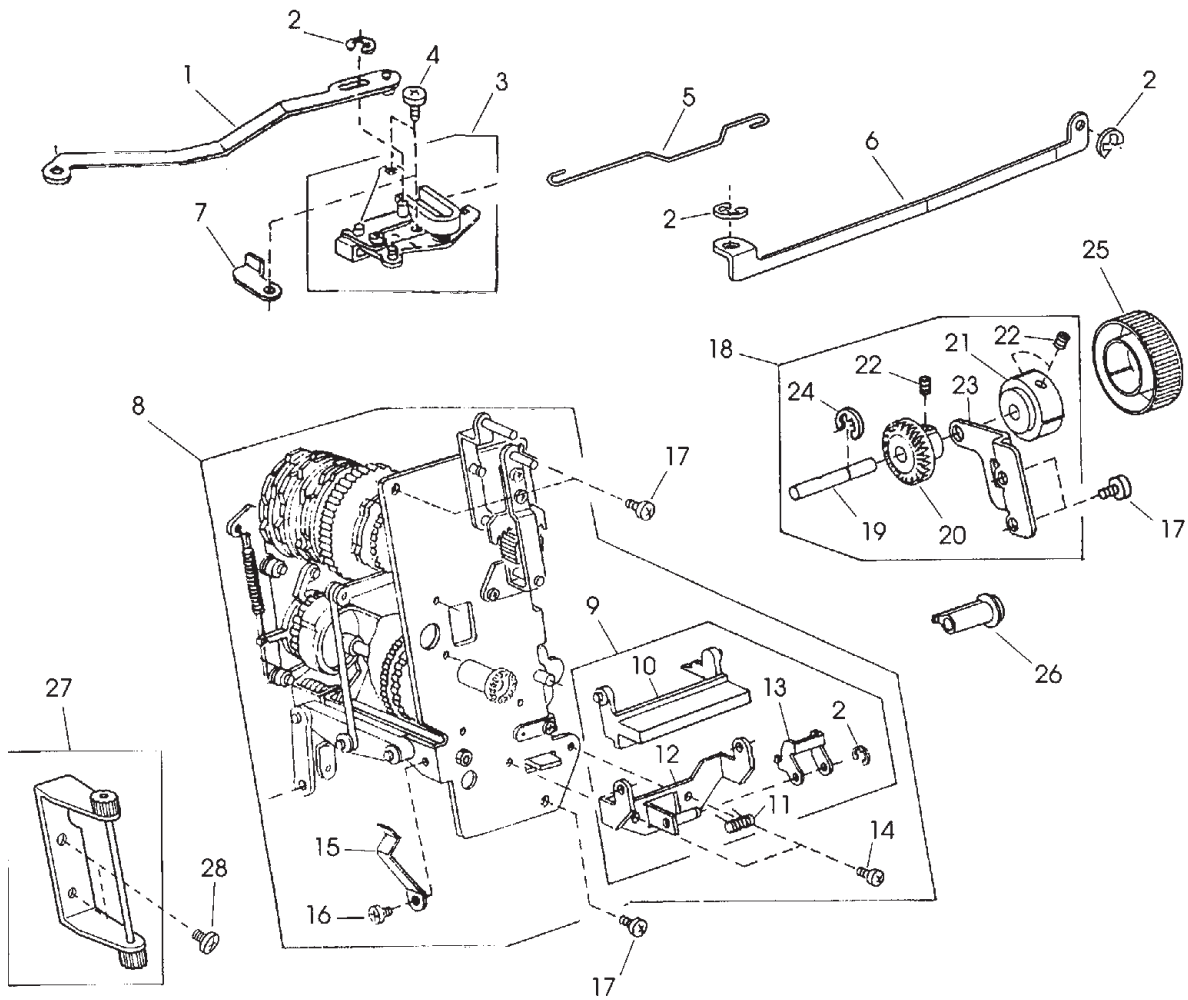


No.	Part No.	Name
1	751640100	Feed shaft unit
2	840005003	Feed dog
3	000104005	Set screw
4	650085002	Spring
5	738055008	Straight pin
6	650612004	Feed regulator unit
7	625144002	Bushing (front)
8	650175000	Cushion
9	000111108	Hexagon socket screw
10	820387000	Ring
11	650091001	Feed shaft
12	652607002	Feed regulating arm unit
13	650092002	Feed shaft bushing (rear)
14	000002105	Snap ring
15	820166001	Ring
16	000111201	Hexagon socket screw
17	000038502	Washer
18	650078002	Lower shaft bushing (front)
19	000111304	Hexagon socket screw
20	753183025	Feed lifting cam
21	686035008	Spring
22	650076000	Lower shaft gear
23	756021001	Ring
24	756020000	Reverse feed ring (2)
25	756019006	Reverse feed ring (1)
26	625120105	Feed cam
27	627207000	Spring
28	650074008	Feed cam ring
29	000121606	Set screw
30	686613109	Lower shaft unit
31	820161006	Feed lifting pin
32	650079003	Lower shaft bushing (rear)
33	753033007	Regulator spring

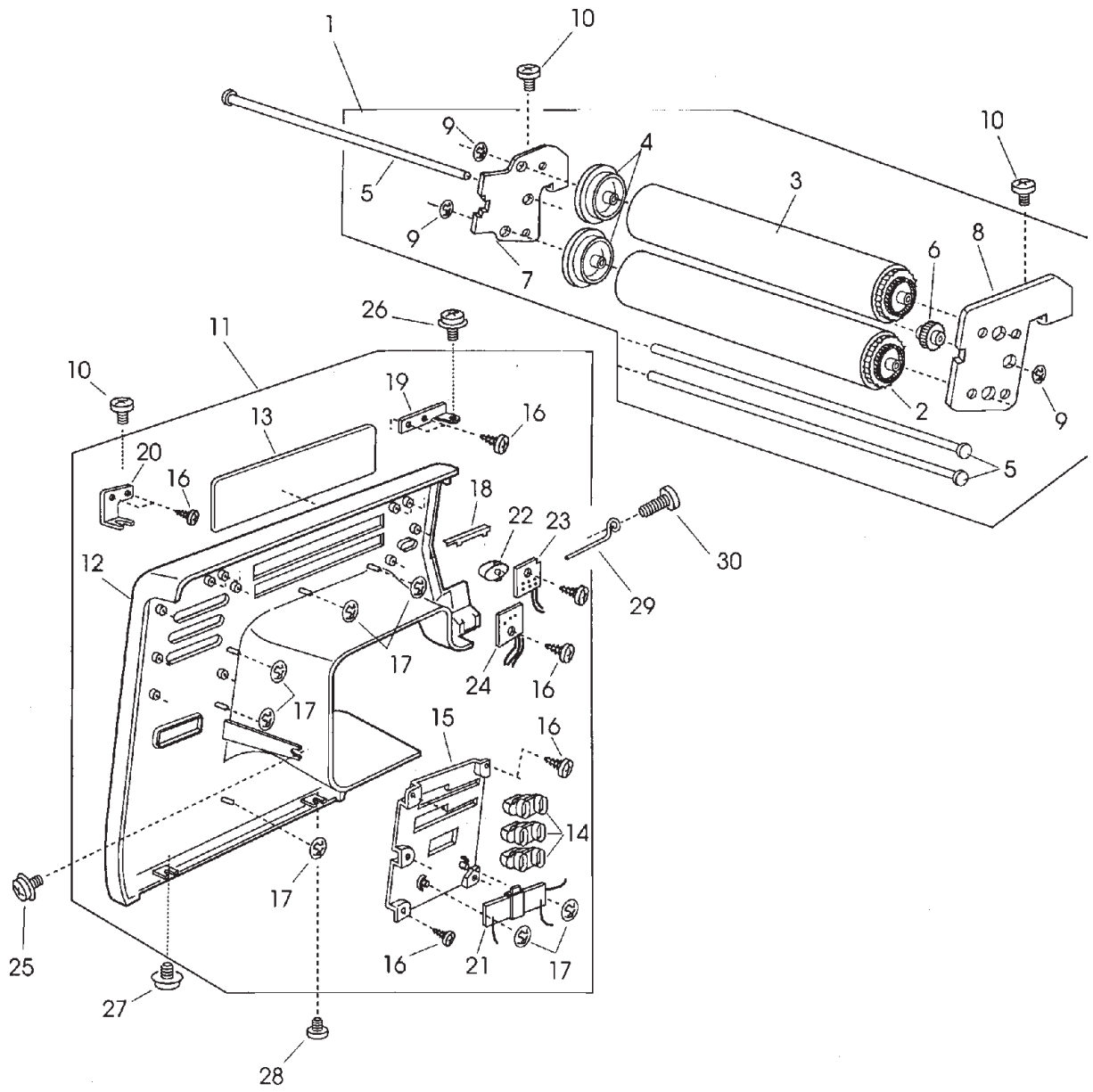




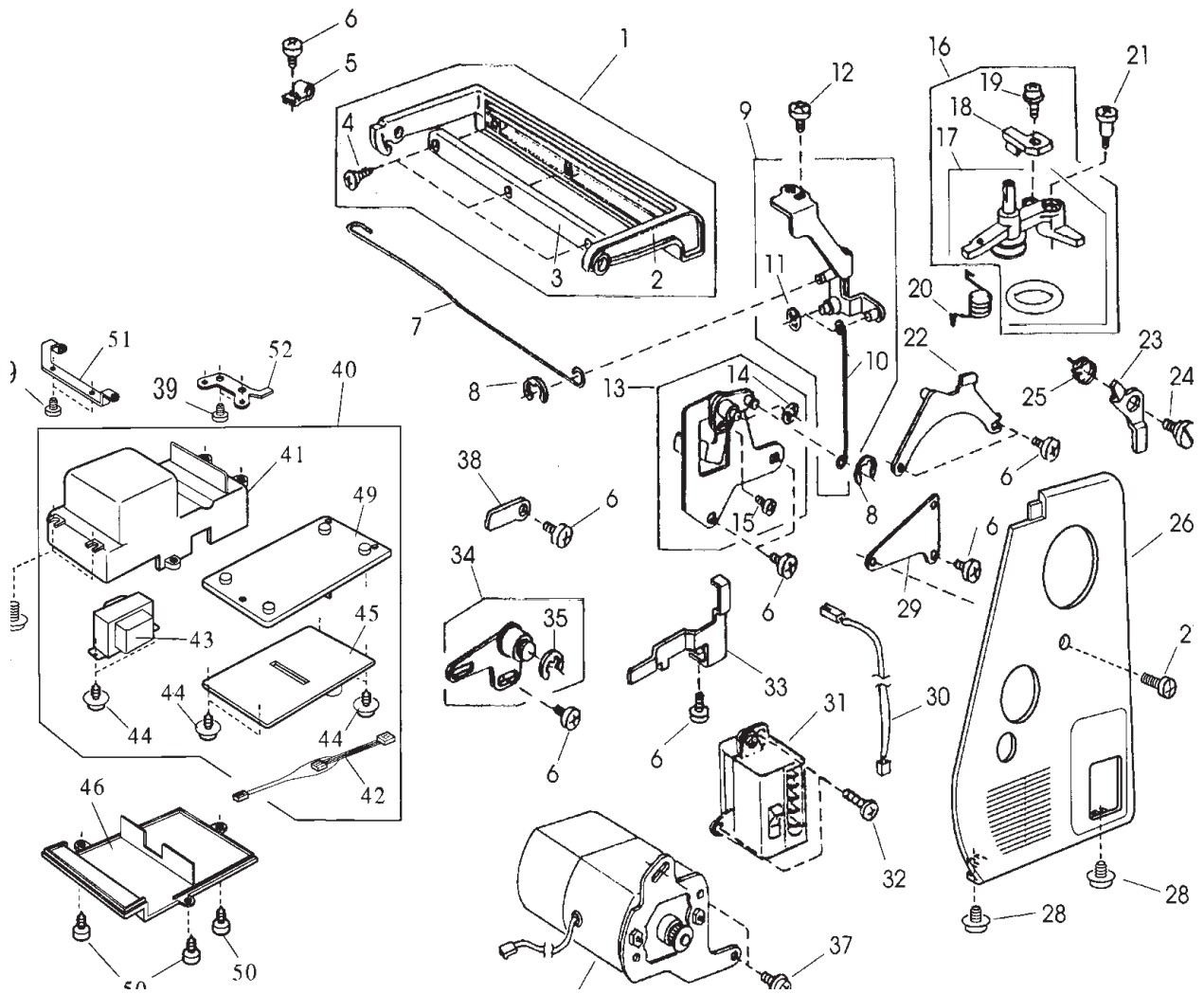
No.	Part No.	Name
1	756608101	Hook unit
2	652623004	Shuttle body unit
3	756023003	Set plate
4	627190010	Hook race magnet
5	627191000	Hook race bottom plate
6	820374004	Set screw
7	820123006	Hook driver shaft
8	820124007	Hook shaft oil felt (1)
9	820125008	Hook shaft oil felt (2)
10	000038409	Washer
11	627192001	Washer
12	625102008	Plain washer
13	000111304	Hexagon socket screw
14	650094004	Hook shaft base
15	000081005	Set screw
16	827040009	Hook gear cover
17	000107204	Set screw
18	756022002	Hook base plate
19	650097007	Feed shift arm
20	650098008	Feed shift plate
21	000070218	Plain washer
22	000103808	Set screw
23	650099009	Feed shift spring
24	650023002	Washer
25	000002105	Snap ring
26	000101404	Set screw
27	000070506	Washer
28	650172007	Hinge screw
29	627569106	Bobbin holder unit
30	7540S1004	Feed trans forming rod
31	757601004	Bed cover unit
32	000013903	Snap ring
33	757001008	Bed cover
34	753005000	Drop feed lever
35	000101703	Set screw
36	756609009	Shift arm unit
37	756025005	Shift arm (1)
38	756026006	Shift arm (2))
39	000101105	Set screw
40	756027007	Hinge screw
41	757010000	Buttonhole pitch balance adjusting lever
42	000116206	Wave washer
43	756029019	Hinge screw
44	102261000	Bobbin



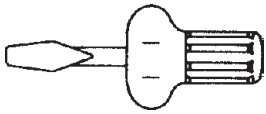
No.	Part No.	Name
1	650156005	Zigzag rod (front)
2	000002105	Snap ring
3	686618104	Zigzag arm unit
4	000081005	Set screw
5	688004004	Zigzag width rod
6	757045004	Zigzag width adjusting rod
7	688003003	Zigzag stopper
8	757615001	Cam block unit
9	757610006	Reverse button unit
10	757019009	Reverse button
11	753147005	Reverse button spring
12	753046003	Reverse button supporter
13	753150001	Reverse button arm (2)
14	000103808	Set screw
15	754021005	Pattern selector index spring
16	652203004	Set screw
17	000081005	Set screw
18	753647114	Pattern selector dial shaft unit
19	753203114	Pattern selector dial shaft
20	753082104	Dial gear
21	753202009	Pattern selector dial seat
22	000111202	Hexagon socket screw
23	753083013	Dial supporter
24	000001609	Snap ring
25	757024007	Pattern selector dial
26	650162509	Ss control dial
27	757611007	Connecting base plate unit
28	000101105	Set screw



No.	Part No.	Name
1	757612008	Indicator dram unit
2	757025101	Indicator dram
3	757025112	Indicator dram
4	757026009	Indicator dram cap
5	757027000	Dram shaft
6	757028001	Gear
7	757029002	Dram supporter plate (front)
8	757030006	Dram supporter plate (rear)
9	000014306	Snap ring
10	000081005	Set screw
11	757616046	Front cover unit
12	757031203	Front cover
13	757032307	Pattern indication plate
14	757033009	Slide button
15	757034000	Button frame
16	000120203	Set screw
17	000014306	Snap ring
18	753125007	Thread protecting plate
19	753108004	Front panel retaining plate (front)
20	753109005	Front panel retaining plate (rear)
21	653507060	Slide volume unit
22	757043002	Up/down needle position button
23	754503109	Circuit board UD unit
24	757503005	Circuit board unit
25	000115607	Set screw
26	000115401	Set screw
27	000115205	Set screw
28	000101404	Set screw
29	753126008	Arm thread guide
30	000092917	Set screw



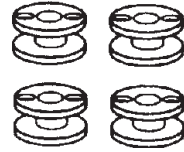
No.	Part No.	Name
1	753620007	Carrying handle unit
2	753121003	Carrying handle
3	753122004	Carrying handle plate
4	000120502	Set screw
5	000188405	Nylon clip
6	000081005	Set screw
7	753098000	Buttonhole drag rod
8	000002105	Snap ring
9	753643006	Drag rod link holder plate unit
10	753099012	Buttonhole drag rod (2)
11	000014007	Snap ring
12	810220003	Set screw
13	753614008	Step up base unit
14	000014007	Snap ring
15	000101507	Set screw
16	653633000	Bobbin winder unit
17	653508005	Bobbin winder unit
18	653133005	Switch pressing plate
19	000114709	Set screw
20	823119008	Bobbin winder frame spring
21	686063005	Hinge screw
22	753120002	Carrying handle supporter plate
23	753192005	Declutch arm
24	625214004	Hinge screw
25	753193006	Spring
26	757035001	Belt cover
27	000080901	Set screw
28	000115205	Set screw
29	753116005	Belt cover retaining plate
30	751523003	Cord
31	754507103	Machine socket unit for U.S.A.
	754511203	Machine socket unit for Continental Europe & Australia
32	000103509	Set screw
33	753143001	Cord guide
34	753619003	Idler unit
35	000002806	Snap ring
36	754612009	Motor unit for Australia & Continental Europe
	754615002	Motor unit for U.S.A.
37	000115504	Set screw
38	753200007	Cord guide
39	000101404	Setscrew
40	757625107	Circuit board case unit for U.S.A.
	757625200	Circuit board case unit for Continental Europe & Australia
41	757063101	Circuit board case cover
42	757504109	Cord
43	751577002	Transformer for U.S.A.
	751579004	Transformer for EU & Australia
44	000149301	Setscrew
45	751575000	Circuit board B unit
46	757065103	Circuit board case
47	000115607	Setscrew
48	000102900	Setscrew
49	757064102	Circuit board base plate
50	000120203	Setscrew
51	757066001	Circuit board case retaining plate (1)
52	757067002	Circuit board case retaining plate (1)
	757506101	Ferrite filter for primary line for 220-240V area (not illustrated)
	757506008	Ferrite filter for foot control for 2240-240V area (not illustrated)
	000053101	Binder for 2240-240V area (not illustrated)



1



2



3



4



5



6



7



8



9



10



11



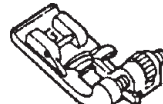
12



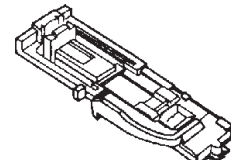
13



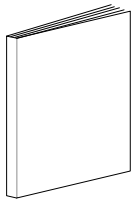
14



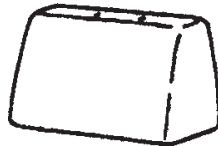
15



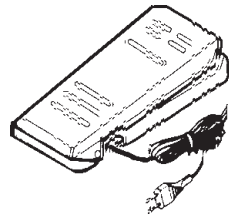
16



17



18



19



No.	Part No.	Name
1	820832005	Screwdriver
2	102403109	Threading felt
3	102261000	Bobbin
4	647808009	Seam ripper
5	802424004	Lint brush
6	625031500	Additional spool pin
7	822019509	Spool holder (small)
8	822020503	Spool holder (large)
9	540401026	Set of needles
10	802422002	Quilting guide
11	820804019	Overlock foot (C)
12	820809014	Hemmer foot (D)
13	829801002	Zipper foot (E)
14	822804118	Satin stitch foot (F)
15	820817015	Blind stitch foot (G)
16	753801004	Buttonhole foot (R)
17	757800108	Instruction book (English)
	757800119	Instruction book (Spanish)
	757800142	Instruction book (German)
18	476703007	Hard resin cover
19	031573326	Foot control for USA
	043470101	Foot control for Continental Europe
	043470307	Foot control for Australia