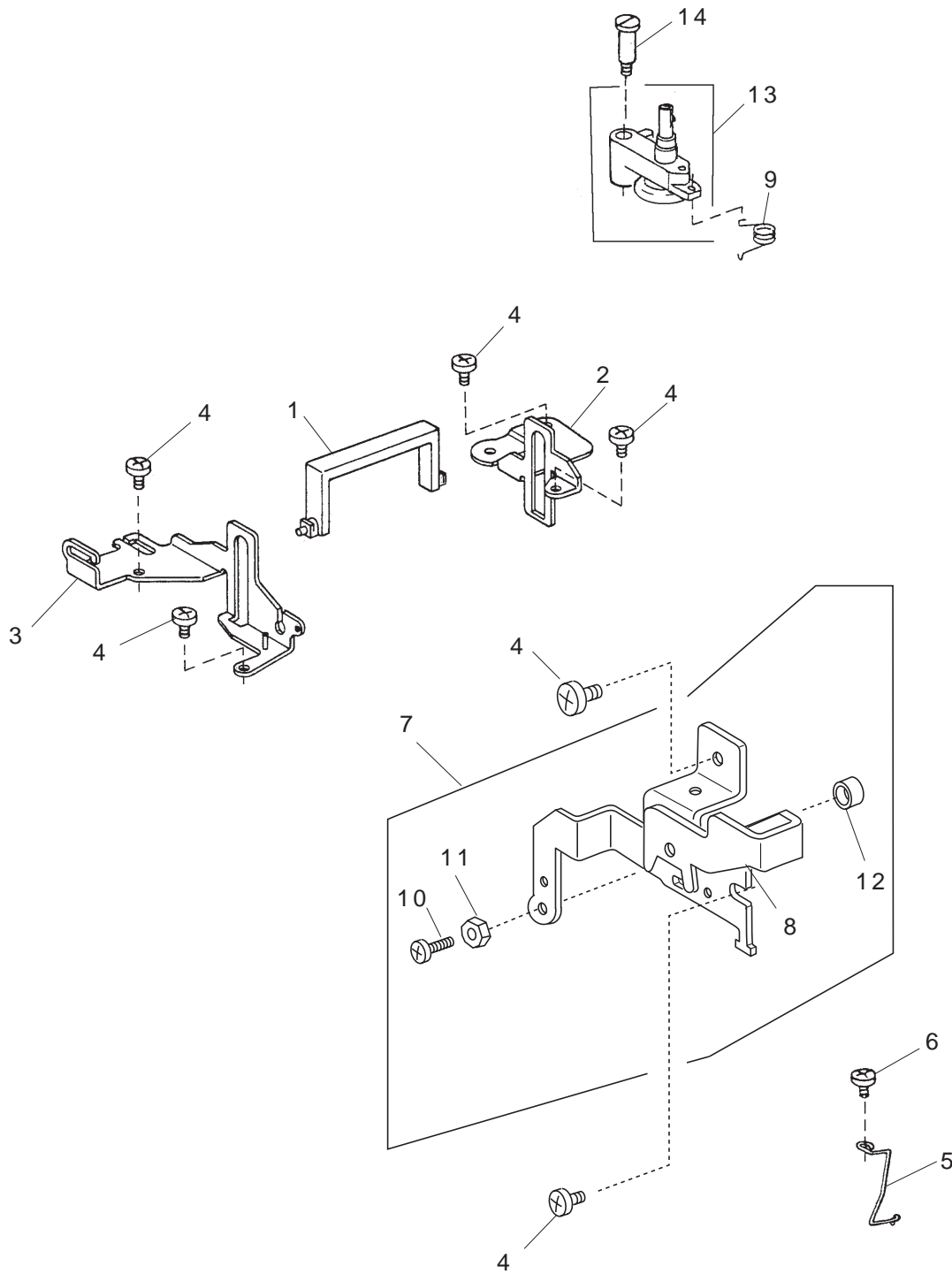


PARTS LIST

521

PARTS LIST

MODEL 521



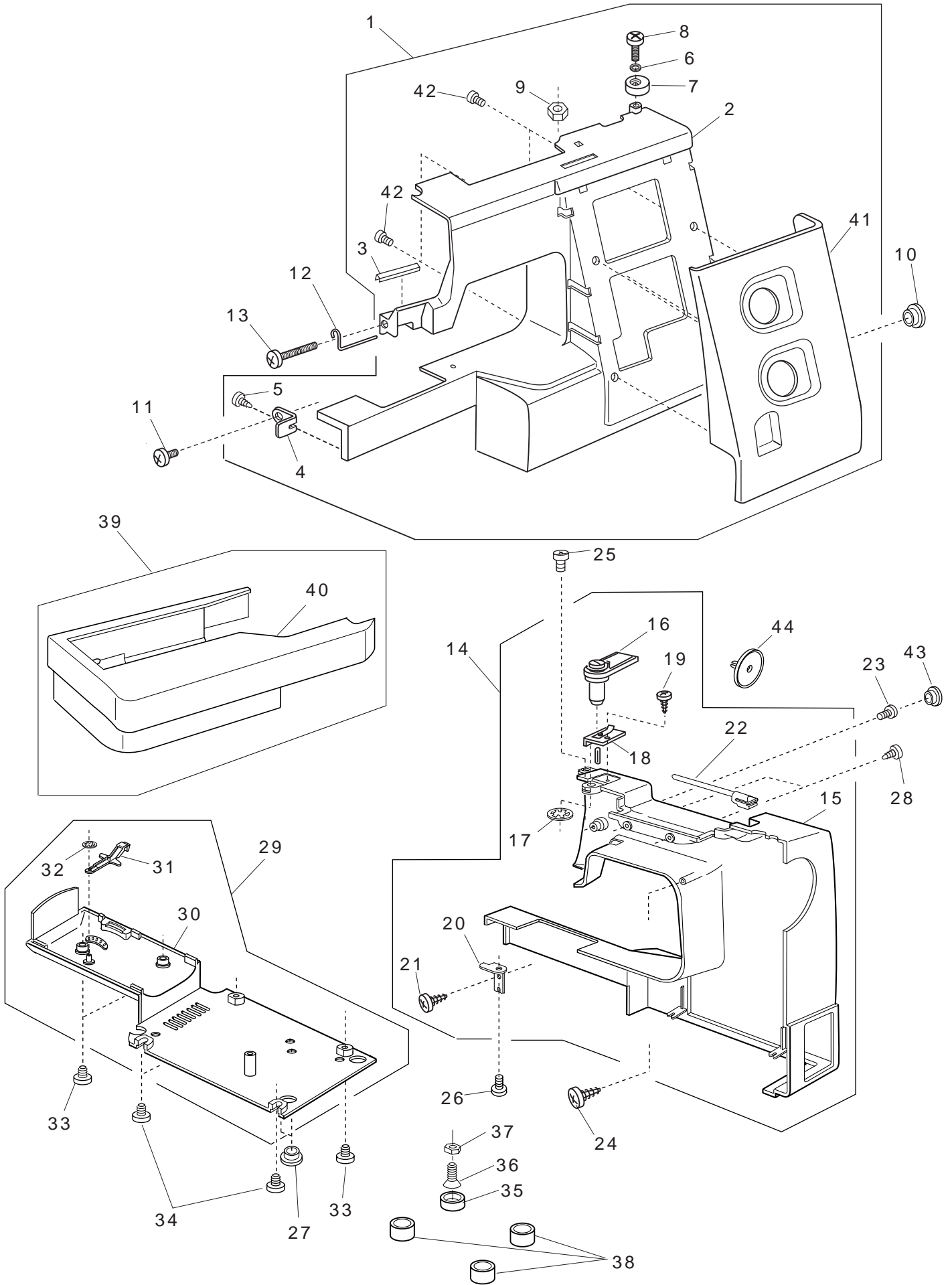
PARTS LIST

MODEL 521

KEY NO.	PART NO.	DESCRIPTION
1	751100000	Handle
2	751076110	Handle supporter (Right)
3	751077029	Handle supporter (Left)
4	000081005	Setscrew 4 × 8
5	652137006	Arm thread guide (2)
6	000101404	Setscrew 4 × 6
7	507603005	Face cover bracket unit
8	507006002	Face cover bracket
9	823119008	Bobbin winder spring
10	000197706	Setscrew 4 × 45
11	000160102	Adjustable lock nut 4
12	685042005	Needle bar supporter stopper
13	652506000	Bobbin winder unit
14	652093009	Hinge screw

PARTS LIST

MODEL 521



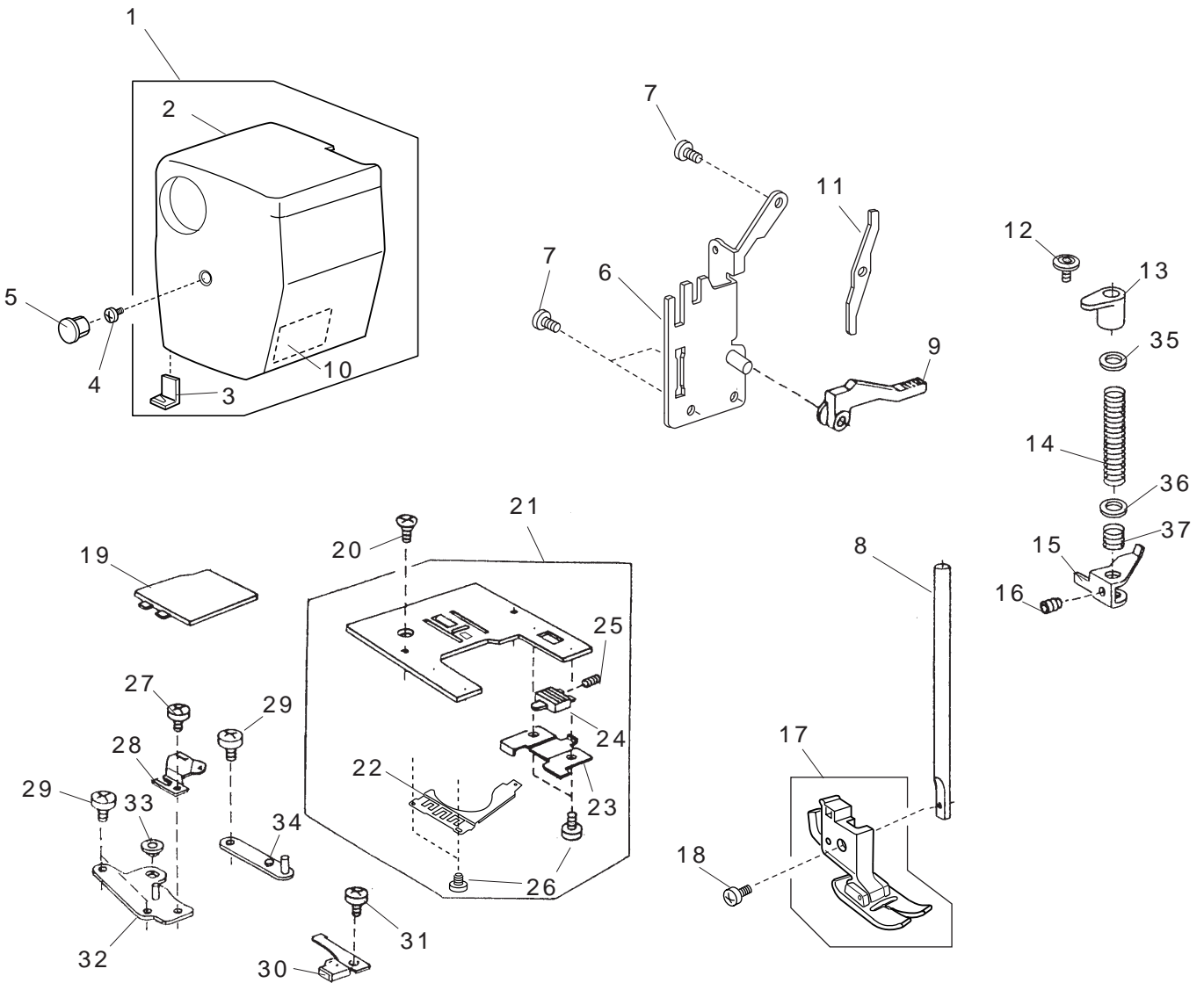
PARTS LIST

MODEL 521

KEY NO.	PART NO.	DESCRIPTION
1	507634005	Front cover unit
2	507110103	Front cover
3	753125007	Thread guard
4	827069004	Front cover set plate (Lower)
5	000120203	Setscrew 3 × 8
6	000071013	Plain washer 4
7	735016307	Bobbin winder stopper
8	000103107	Setscrew 4 × 14
9	000061205	Hexagonal nut 4-3-7
10	745033002	Cap
11	000101404	Setscrew 4 × 6
12	753126008	Arm thread guide
13	000092917	Setscrew 3.5 × 27
14	507631002	Rear cover unit
15	507102102	Rear cover
16	650503702	Thread guide unit
17	000014409	Snap ring CS-8
18	827503005	Top cover thread guide unit
19	000162001	Setscrew 2.6 × 5
20	827006003	Rear cover set plate
21	000161103	Setscrew 3 × 6
22	659067005	Spool pin
23	000101817	Setscrew 4 × 16
24	000121905	Setscrew 4 × 12
25	810220003	Setscrew
26	000081119	Setscrew 4 × 6
27	745033002	Cap
28	000161310	Setscrew 3 × 12
29	507601003	Base cover unit
30	507001007	Base cover
31	753005000	Drop feed lever
32	000013903	Snap ring CS-5
33	000101703	Setscrew 4 × 12
34	000103509	Setscrew 4 × 10
35	735002001	Rubber foot
36	000097808	Flat screw 5 × 25
37	000061412	Hexagonal nut 5-3-8
38	647009002	Rubber foot base
39	507637008	Extension table unit
40	507003004	Extension table
41	507111104	Ornamental panel
42	000161402	Setscrew 2.3 X 8
43	653006101	Cap
44	822020503	Spool holder

PARTS LIST

MODEL 521



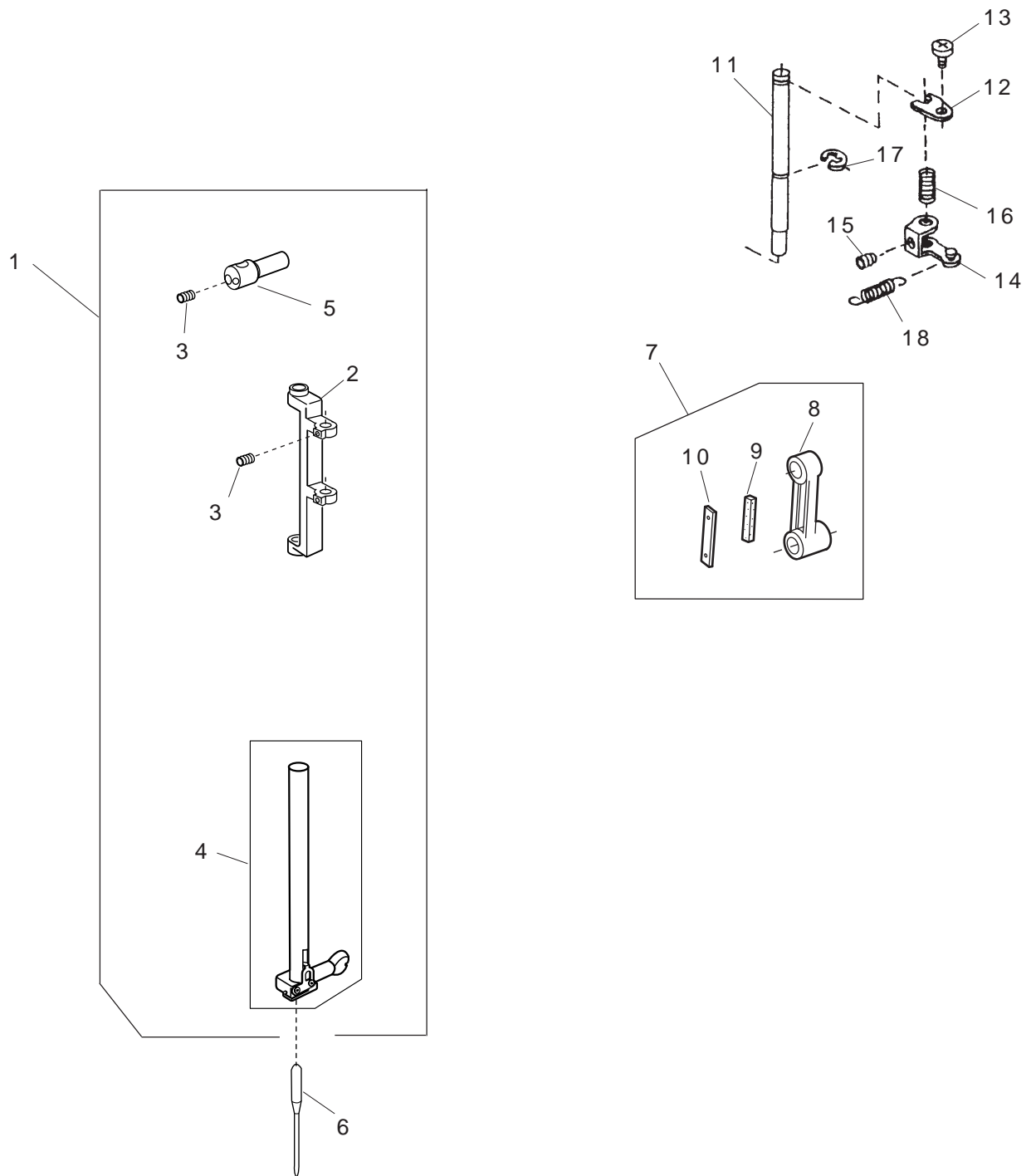
PARTS LIST

MODEL 521

KEY NO.	PART NO.	DESCRIPTION
1	507632003	Face plate unit
2	507105013	Face plate
3	840602006	Thread cutter unit
4	000101703	Setscrew 4 × 12
5	653006101	Cap
6	751345032	Presser bar bracket
7	000081005	Setscrew 4 × 8
8	827021004	Presser bar
9	735029004	Presser foot lifter
10	724025006	Reflector sticker (2)
11	751142004	Tension release lever
12	000193001	TP screw 4 × 6
13	652104004	Presser bar bushing
14	826006000	Presser spring
15	735028003	Presser bar supporter
16	000111500	Hexagonal socket screw 4 × 8
17	660508007	Presser foot unit
18	660106001	Thumbscrew
19	750036102	Hook cover plate
20	820390109	Setscrew
21	751603400	Needle plate unit
22	832235010	Hook cover set plate (Left)
23	825015010	Hook cover set plate (Right)
24	825016000	Hook cover release button
25	825017001	Hook cover release button spring
26	820374004	Setscrew 2 × 2.3
27	000103808	Setscrew 3 × 5
28	822011109	Reverse stopper
29	000066705	Setscrew 3 × 8
30	751502006	Stopper unit
31	810220003	Setscrew
32	751008007	Needle plate adjusting plate (Left)
33	822314002	Nut
34	751009008	Needle plate adjusting plate (Right)
35	652201002	Washer
36	826055004	Plain washer
37	826056005	Presser bar sub-spring

PARTS LIST

MODEL 521



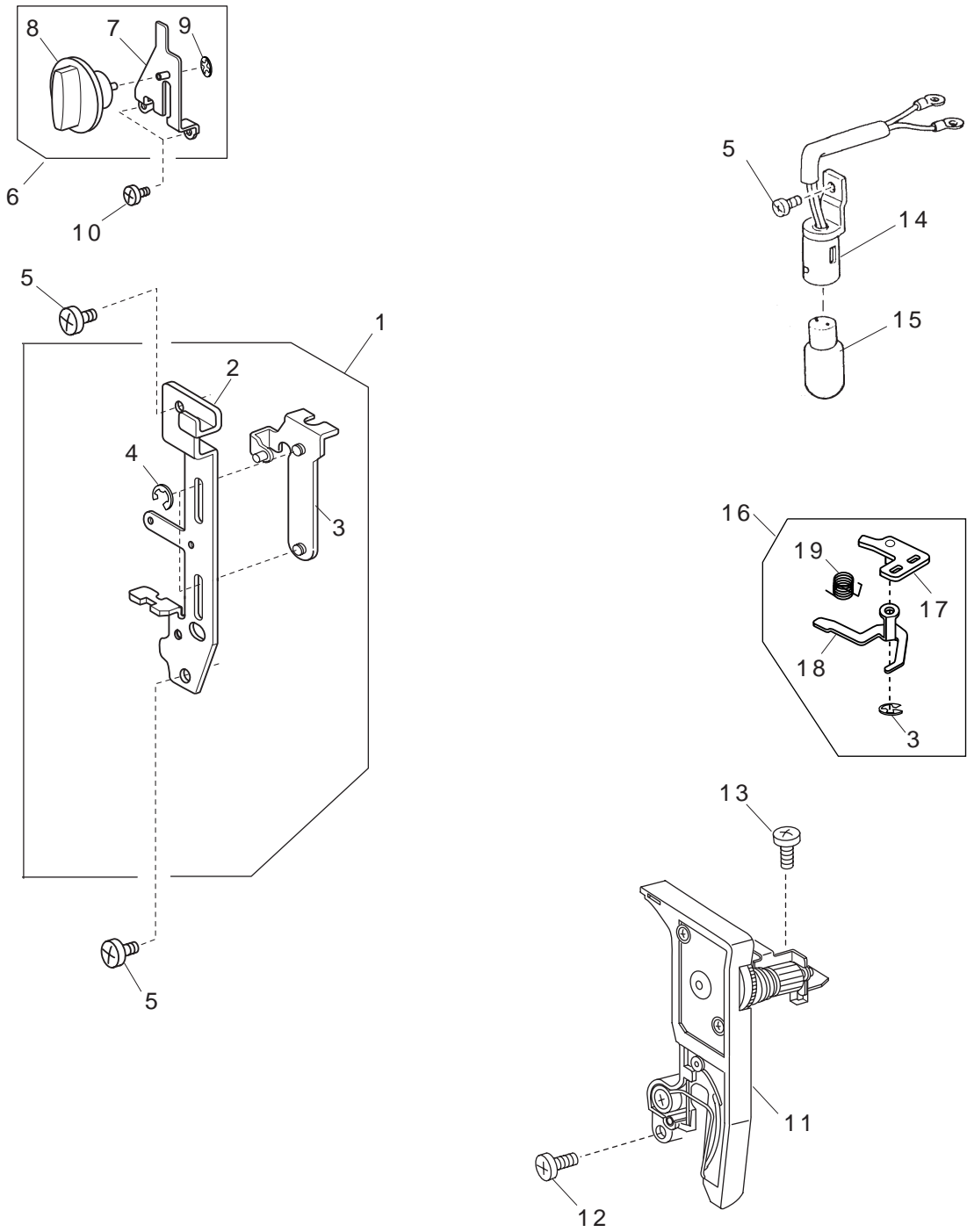
PARTS LIST

MODEL 521

KEY NO.	PART NO.	DESCRIPTION
1	755654007	Needle bar supporter unit
2	650038000	Needle bar supporter
3	000111201	Hexagonal socket screw 4 × 4
4	751630015	Needle bar unit
5	751047008	Needle bar supporter
6	102408089	Needle HA X 1, #14
7	650607006	Needle bar crank rod unit
8	650039001	Needle bar crank rod
9	650040005	Felt
10	650041006	Felt holder
11	650033005	Needle bar supporter shaft
12	650034006	Needle bar supporter shaft set plate
13	000101404	Setscrew 4 × 6
14	650035007	Zigzag width crank
15	000111108	Hexagonal socket screw 4 × 6
16	650036008	Needle bar supporter shaft spring
17	000001609	Snap ring E-5
18	507094007	Needle bar supporter spring

PARTS LIST

MODEL 521



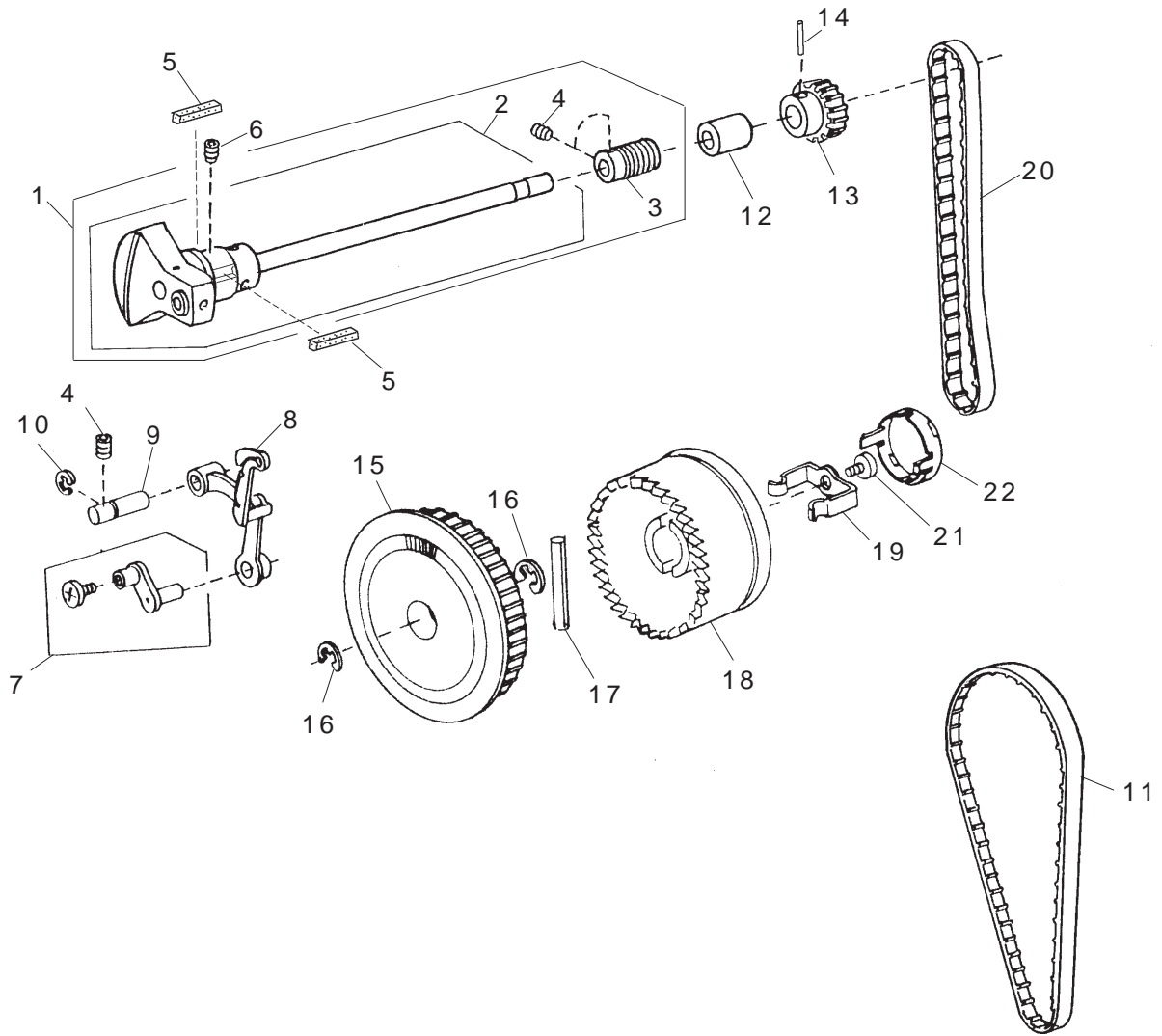
PARTS LIST

MODEL 521

KEY NO.	PART NO.	DESCRIPTION
1	507615000	Front bracket unit
2	507007106	Front bracket
3	501009007	Presser adjusting plate
4	000002105	Snap ring E-3
5	000081005	Setscrew 4 × 8
6	507607009	Pressure dial unit
7	501008109	Dial set plate
8	507008004	Pressure dial
9	000014007	Snap ring CS-4
10	000106203	Setscrew 3.5 × 4
11	507504005	Tension regulator unit
12	000101703	Setscrew 4 × 12
13	000101404	Setscrew 4 × 6
14	647510805	Lamp socket unit (120V)
	655681087	Lamp socket unit (240V)
15	000009803	Lamp 120V 15W
	000009009	Lamp 240V 15W
16	507638009	Tension release arm unit
17	752055002	Tension release arm plate
18	751215009	Tension release arm
19	752056003	Tension release spring

PARTS LIST

MODEL 521



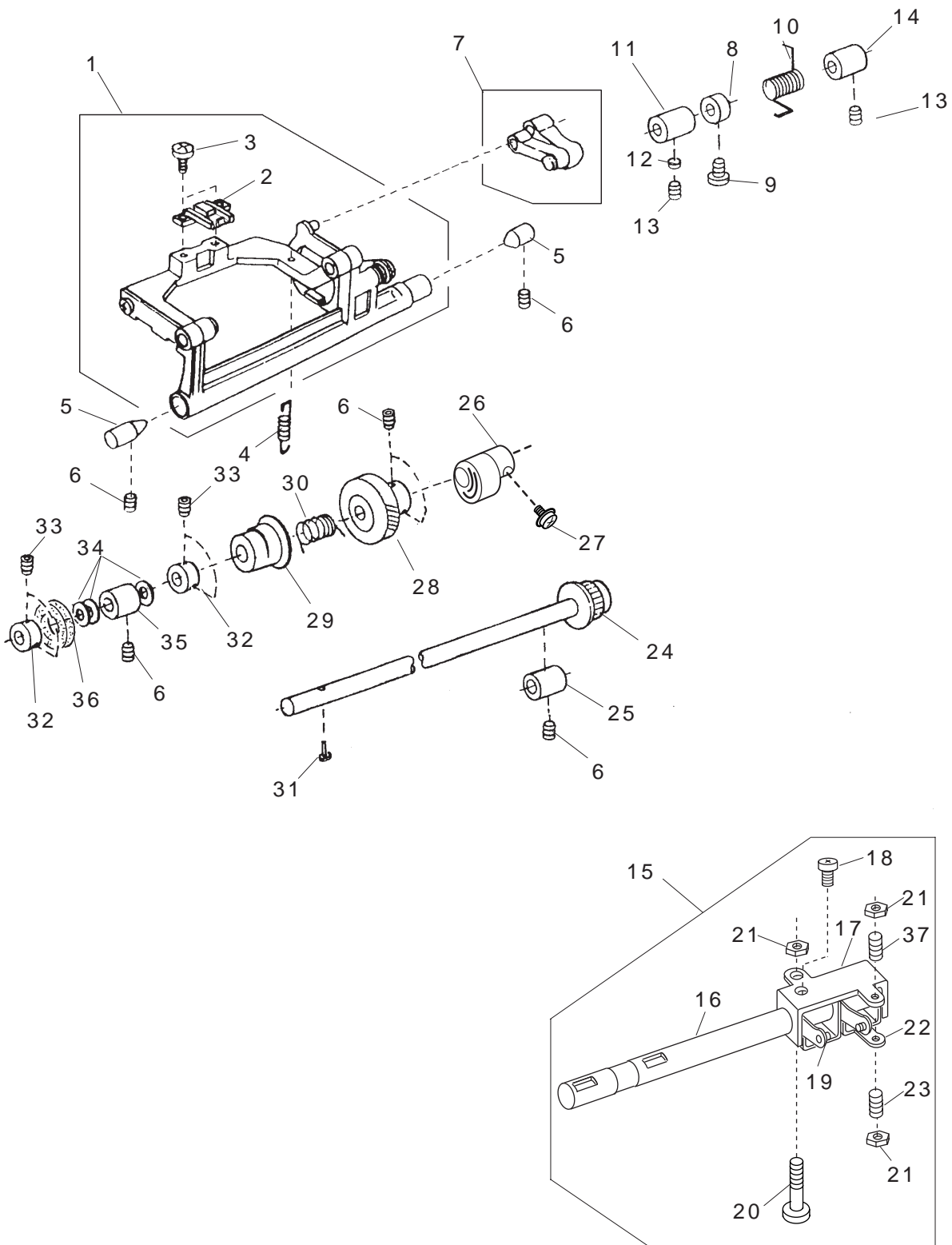
PARTS LIST

MODEL 521

KEY NO.	PART NO.	DESCRIPTION
1	756607100	Upper shaft unit
2	756504003	Upper shaft unit
3	507059000	Worm
4	000111201	Hexagonal socket screw 4×4
5	731384008	Felt
6	000111304	Hexagonal socket screw 5×5
7	652512009	Needle bar crank pin unit
8	820511108	Thread take-up lever unit
9	650062003	Thread take-up lever shaft
10	000002806	Snap ring E-6
11	653139012	Timing belt
12	673062004	Upper shaft rear bushing
13	756017004	Upper shaft timing gear
14	000020501	Spring pin 3×22
15	756018005	Belt wheel
16	000030205	Snap ring E-8
17	000023803	Spring pin 4×40
18	639097127	Handwheel
19	639113016	Clutch spring
20	650071005	Timing belt
21	000081005	Setscrew 4×8
22	745013109	Handwheel cap

PARTS LIST

MODEL 521



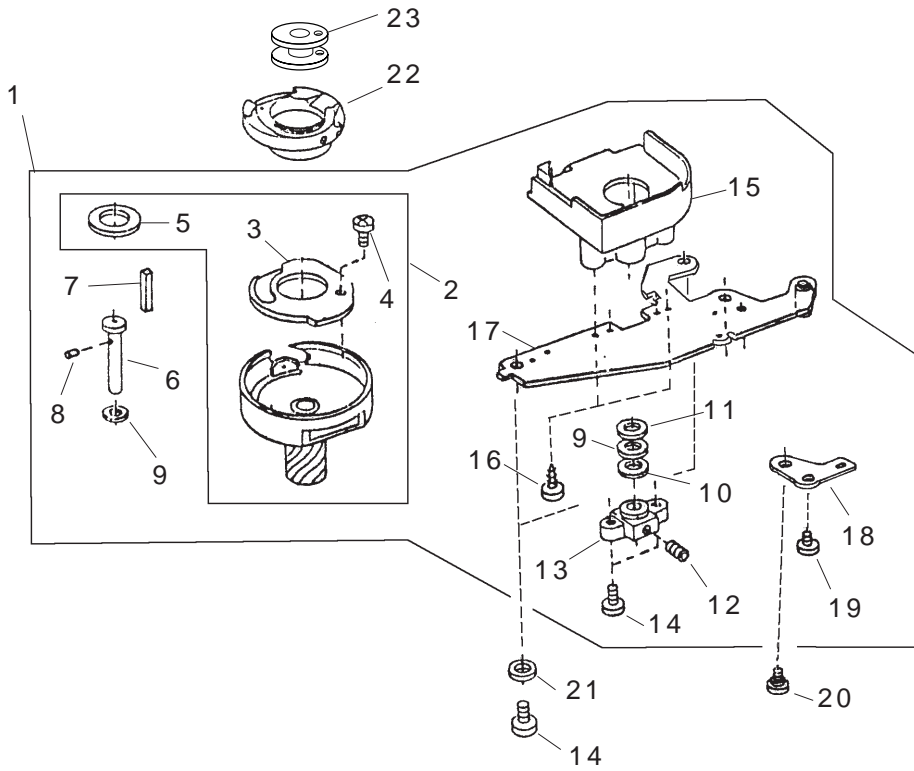
PARTS LIST

MODEL 521

KEY NO.	PART NO.	DESCRIPTION
1	751666009	Feed rock shaft unit
2	653193003	Feed dog
3	000104005	Setscrew 3.5×8
4	650085002	Spring
5	738055008	Straight pin
6	000111304	Hexagonal socket screw 5×5
7	650612004	Feed regulator unit
8	820387000	Ring
9	000081005	Setscrew 4×8
10	507095008	Regulator spring
11	625144002	Feed shaft bushing (Front)
12	650175000	Cushion
13	000111108	Hexagonal socket screw 4×6
14	650092002	Feed shaft bushing (Rear)
15	507608103	Feed regulator plate unit
16	507062006	Feed shaft
17	507011000	Feed shaft plate
18	000081500	Setscrew 3×12
19	507064101	SS adjusting plate
20	507087007	Adjusting screw
21	000160102	Adjustable lock nut 4
22	507063007	Feed adjusting plate
23	648010009	Set screw
24	751612206	Lower shaft unit
25	650079003	Lower shaft bushing (Rear)
26	751148000	Feed cam
27	000115009	TP screw 3×8
28	650076000	Lower shaft gear
29	753183025	Feed lifting cam
30	686035008	Feed lifting cam spring
31	820161006	Feed lifting cam pin
32	820166001	Lower shaft ring
33	000111201	Hexagonal socket screw 4×4
34	000038502	Thrust washer ϕ 8×0.5
35	650078002	Lower shaft bushing (Front)
36	735143005	Felt
37	000159201	Set screw 4 X 12

PARTS LIST

MODEL 521



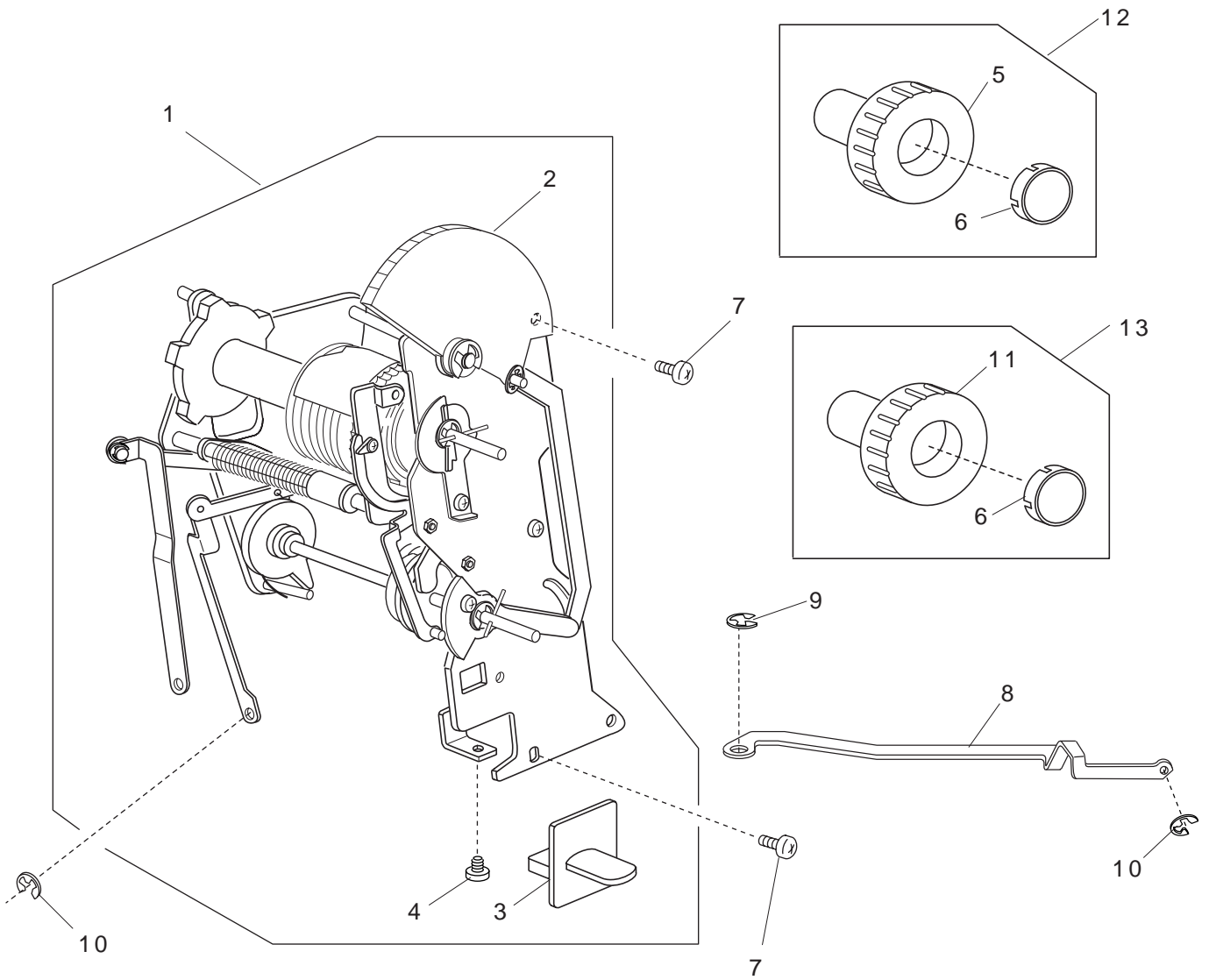
PARTS LIST

MODEL 521

KEY NO.	PART NO.	DESCRIPTION
1	827614022	Hook unit
2	652623004	Hook race unit
3	627191000	Hook race bottom plate
4	820374004	Setscrew 2×2.3
5	627190010	Hook race magnet
6	820123006	Hook driver shaft
7	820124007	Hook shaft oil felt (1)
8	820125008	Hook shaft oil felt (2)
9	000038409	Thrust washer
10	625102008	Plain washer
11	627192001	Washer
12	000111304	Hexagonal socket screw 5×5
13	650094004	Hook shaft base
14	000081005	Setscrew 4×8
15	827040009	Hook gear cover
16	000107204	Setscrew 3×12
17	823106002	Hook base plate
18	650171006	Positioning plate
19	000101404	Setscrew 4×6
20	650172007	Hinge screw
21	000070506	Plain washer
22	627569106	Bobbin holder unit
23	102261000	Bobbin

PARTS LIST

MODEL 521



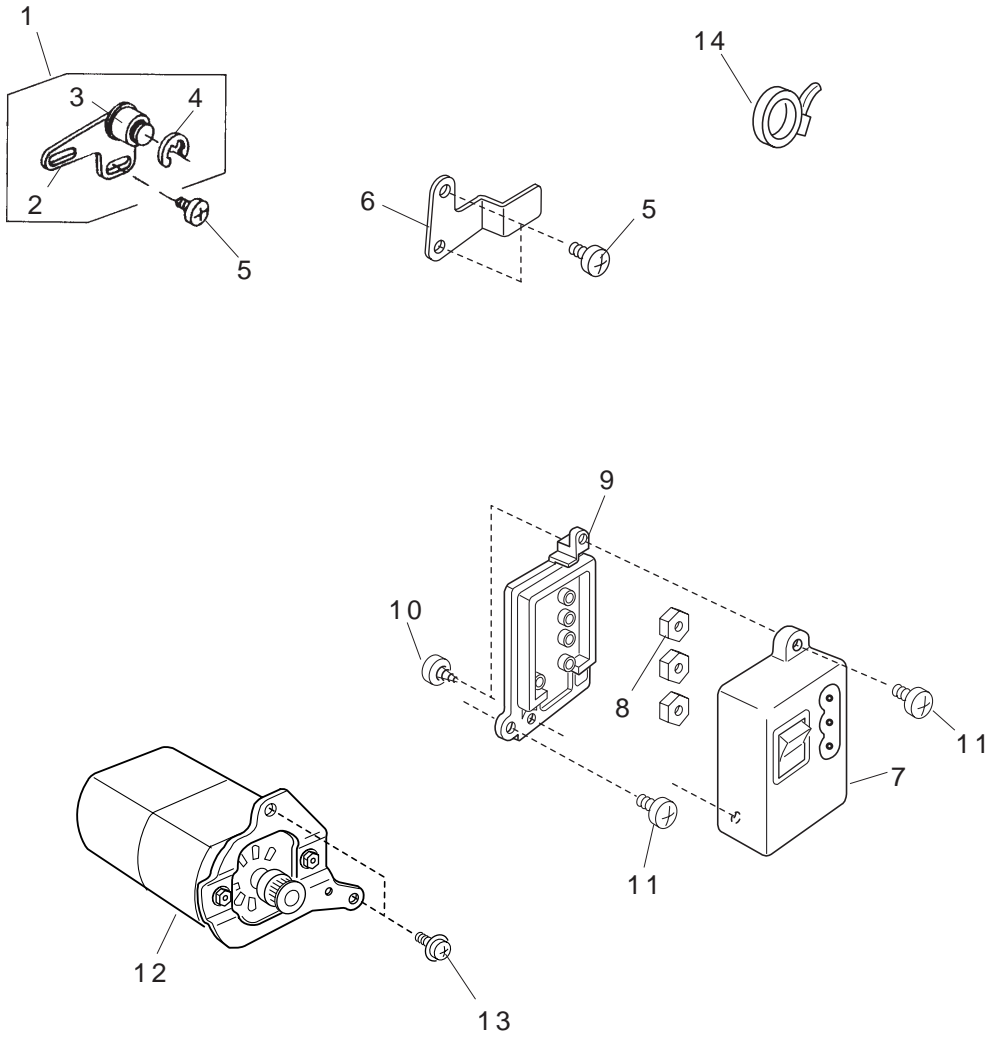
PARTS LIST

MODEL 521

KEY NO.	PART NO.	DESCRIPTION
1	507633004	Cam block unit
2	507041205	Stitch width dial
3	507109109	R lever
4	000107307	Set screw 3 X 8
5	507112105	Pattern selector dial
6	507113003	Cap
7	000081005	Setscrew 4X8
8	507066000	Zigzag width rod
9	000002507	Snap ring E-4
10	000002105	Snap ring E-3
11	507112116	Stitch length dial
12	507635006	Pattern selector dial unit
13	507635109	Stitch length dial unit

PARTS LIST

MODEL 521



PARTS LIST

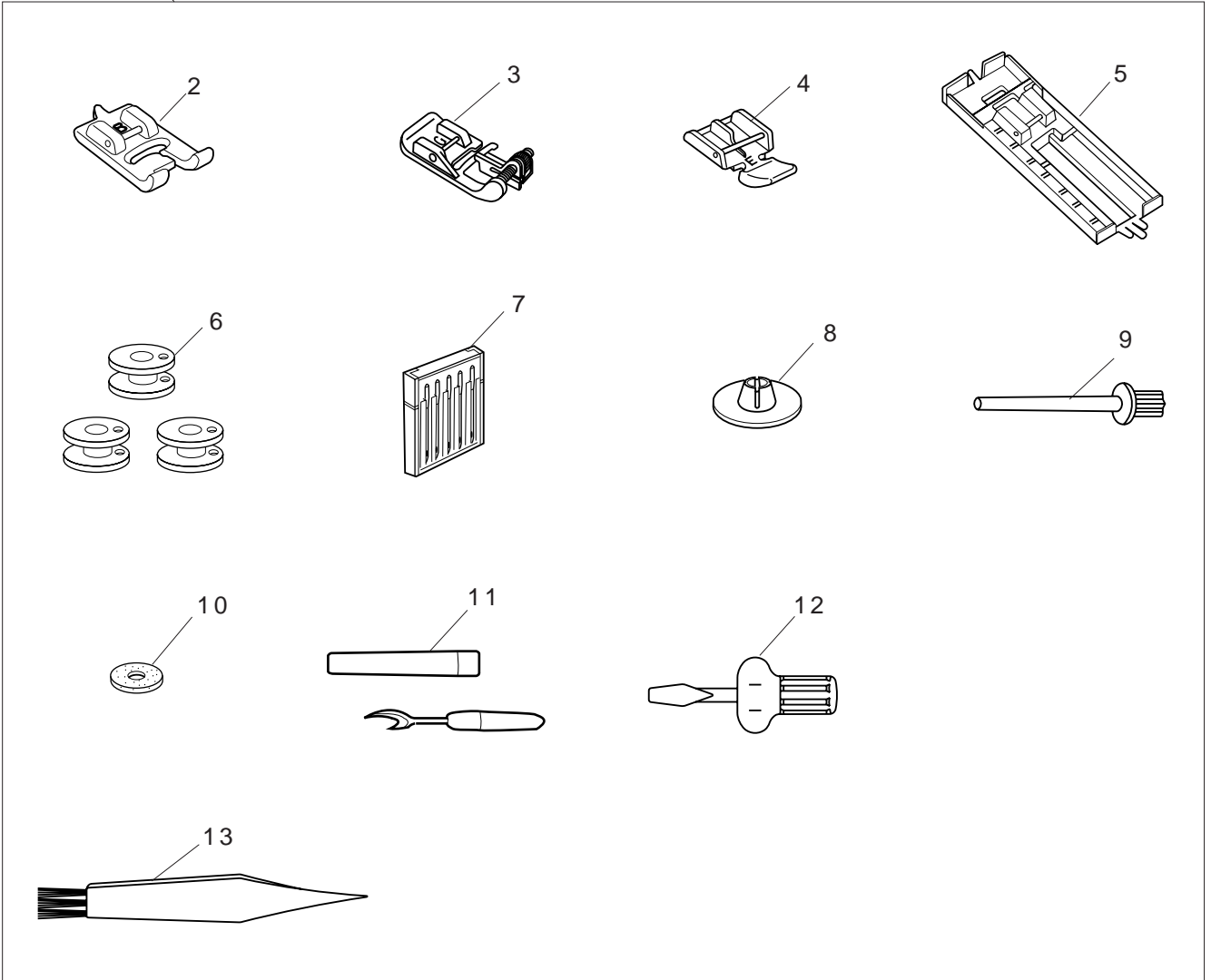
MODEL 521

KEY NO.	PART NO.	DESCRIPTION
1	753619003	Idler unit
2	753119008	Idler base
3	625217100	Idler
4	000002806	Snap ring E-6
5	000081005	Setscrew 4×8
6	507067001	Machine socket bracket
7	739505403	Machine socket unit (120 V)
	739503308	Machine socket unit (220-240V)
8	000060802	Hexagonal nut 3-1-5.5
9	505064002	Machine socket lid
10	000107802	Setscrew 3×10
11	000103509	Setscrew 4×10
12	756619002	Motor unit (120 V)
	756671309	Motor unit (230 V)
	752671103	Motor unit (240V)
13	000115504	TPscrew 5×10
14	000053709	Cord binder

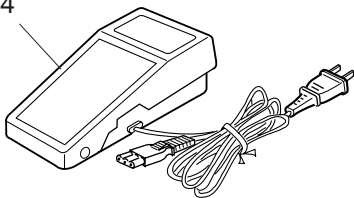
PARTS LIST

MODEL 521

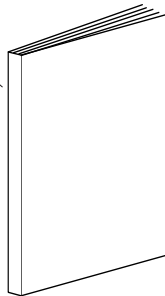
1



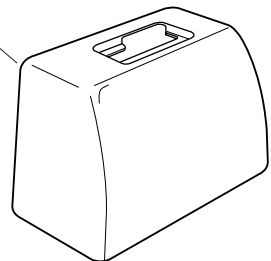
14



15



16



PARTS LIST

MODEL 521

KEY NO.	PART NO.	DESCRIPTION
1	507873008	Accessory set
2	820801016	Buttonhole foot
3	820817015	Blind stitch foot
4	829801002	Zipper foot
5	825813016	Buttonhole foot
6	102261000	Bobbin
7	540401026	Needle set
8	822019509	Spool holder (Small)
9	625031500	Extra spool pin (2)
10	102403109	Felt
11	647808009	Seam ripper
12	820832005	Screwdriver
13	802424004	Lint brush
14	C-1028	Foot control (120 V)
	C-2037	Foot control (230 V)
	C-2014	Foot control (for Australia)
	C-2041	Foot control (for JUK)
15	507800026	Instruction book (ENG)
	507800048	Instruction book (ENG/SPA/FRE)
	507800082	Instruction book (DUT/FRE/GER)
	507800107	Instruction book (SWE/NOR/DAN)
	507800060	Instruction book (ITA)
	507800141	Instruction book (FIN)
16	479713205	Machine cover