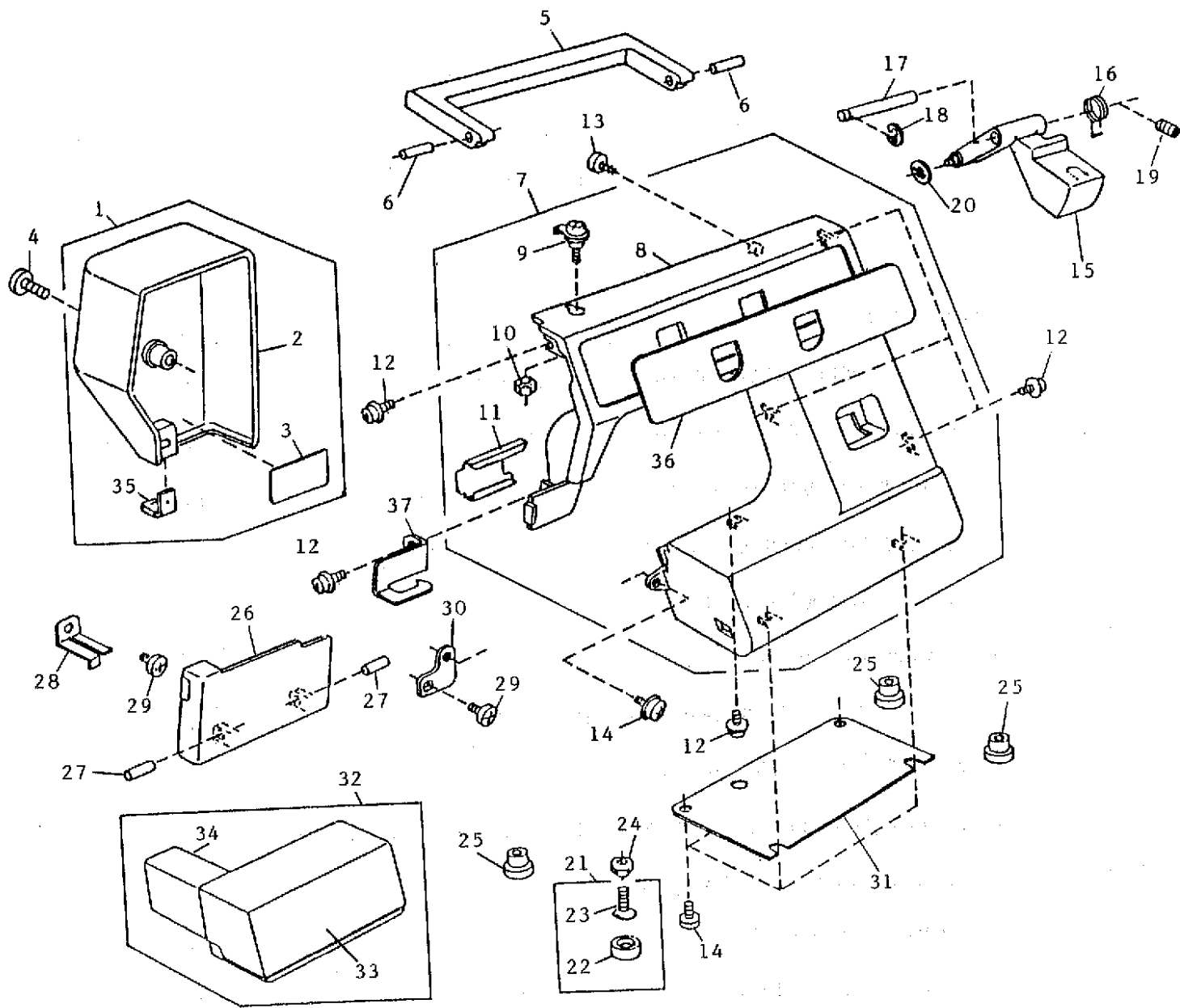
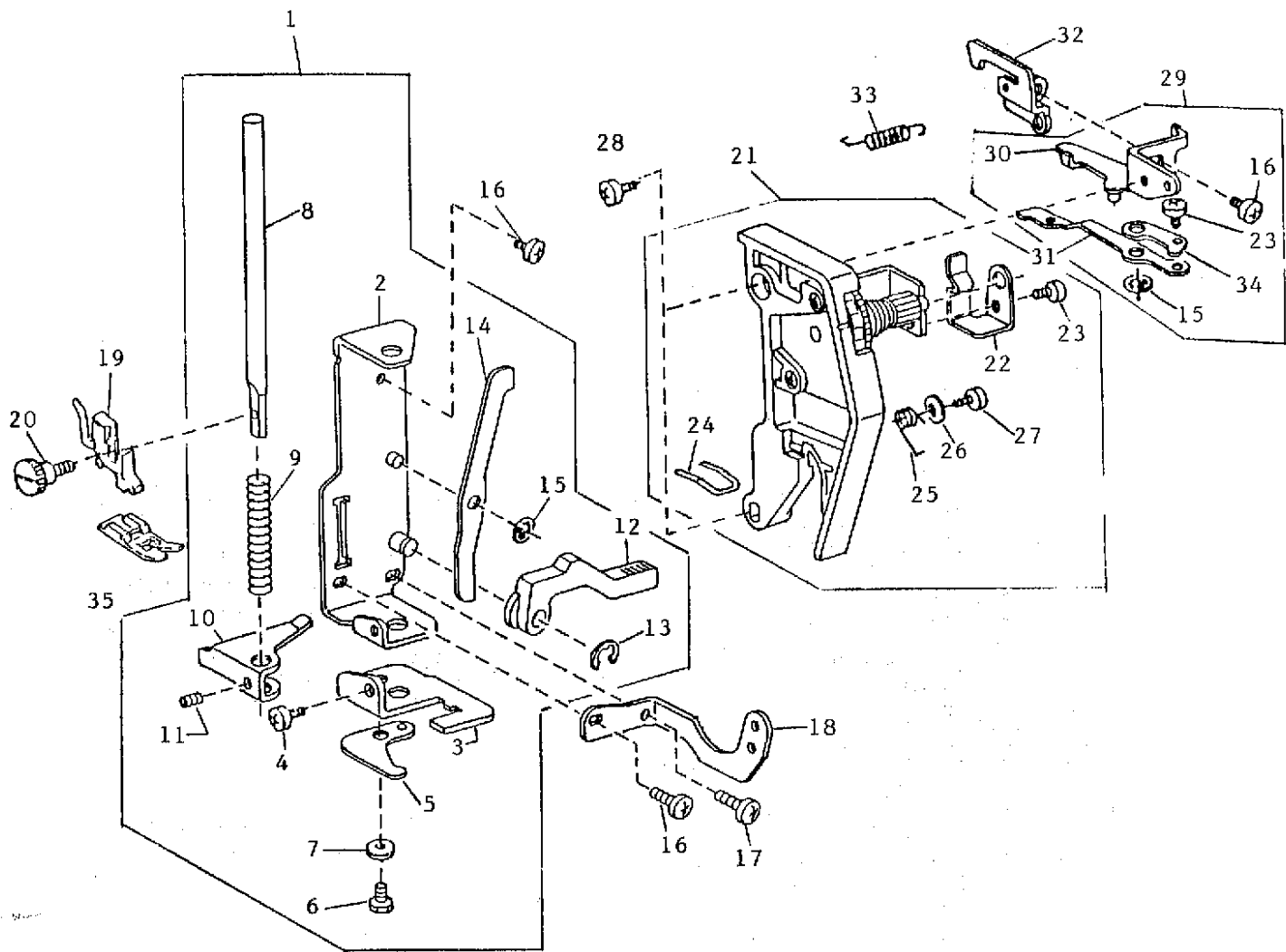


PARTS LIST

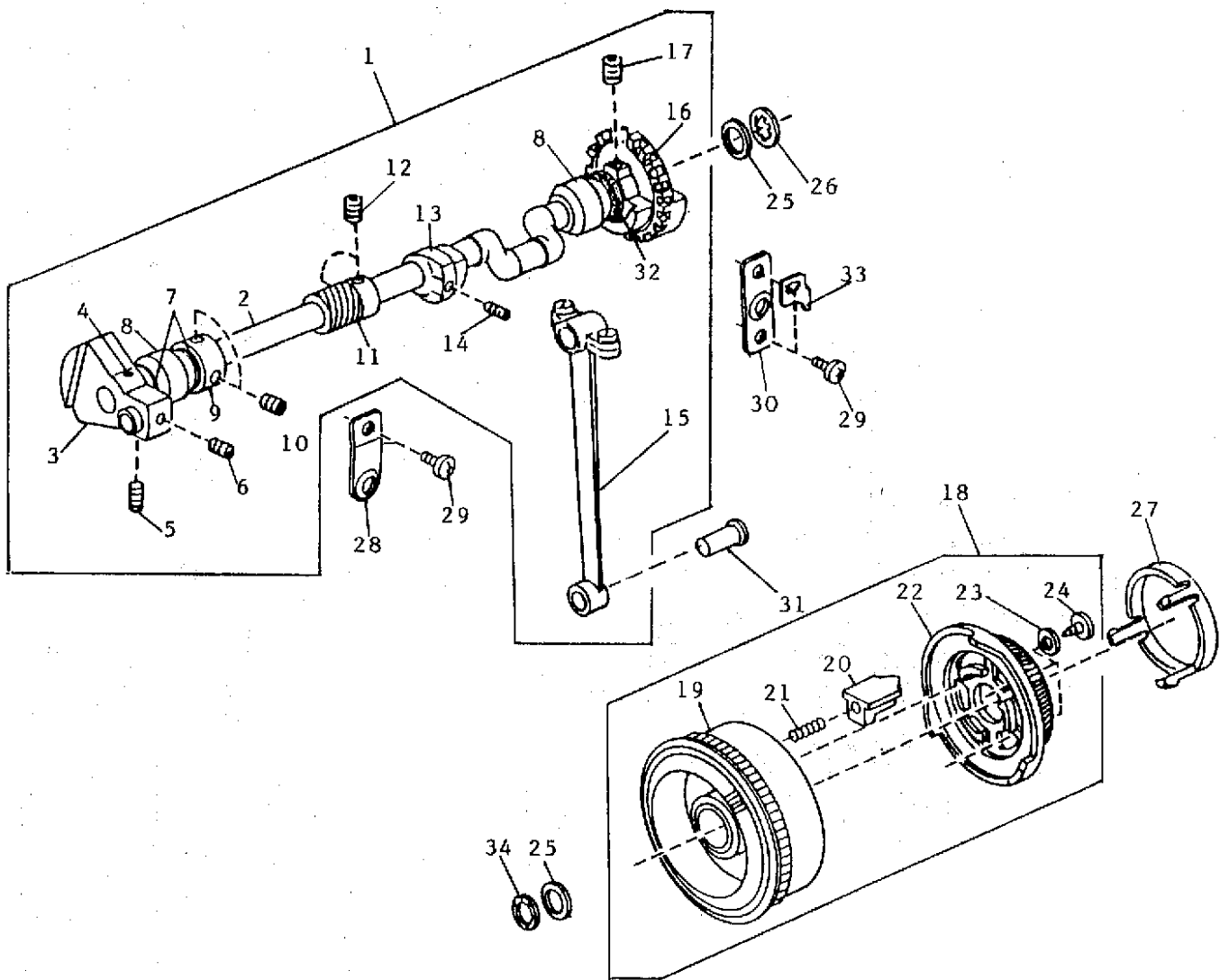
MODEL 540



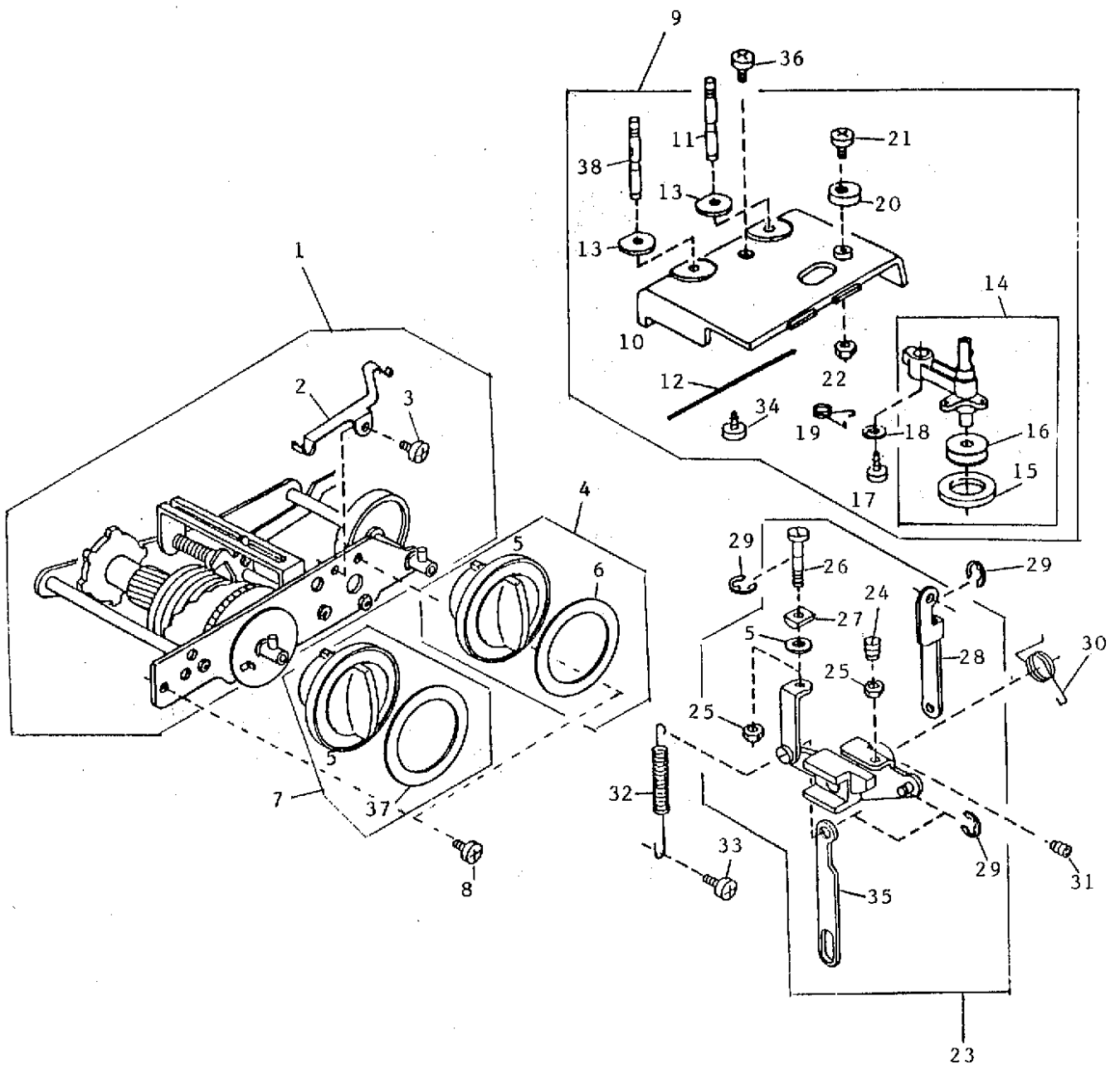
REF.NO.	PART NO.	DESCRIPTION	REF.NO.	PART NO.	DESCRIPTION	
1	737602003	Face plate (unit)	17	736015000	Reverse button hinge pin	
	737602209	Face plate (unit) for Canada	18	000001609	Snap ring (E-5)	
2	737002007	Face plate	19	000112207	Hexagon socket screw 5x10	
	737002203	Face plate for Canada	20	000014007	Snap ring (CS-4)	
3	366076000	Face plate sticker	21	735616004	Height adjustable rubber foot (unit)	
4	000170507	Set screw 4x12	22	735002001	Height adjustable rubber foot	
5	735017102	Handle	23	000097303	Set screw 5x20.	
6	735018000	Handle pin	24	000061319	Nut 5-1	
7	737606007	Front cover (unit) for JA1512	25	735003002	Rubber foot	
	737606100	Front cover (unit) for JA1512 (Canada)	26	735004106	Bed cover	
	737606111	Front cover (unit) for JA1512 (U. K.)	27	735005004	Bed cover hinge pin	
	737606203	Front cover (unit) for JA1510	28	735006005	Bed cover spring	
	737606214	Front cover (unit) for JA1510 (U. K.)	29	000101404	Set screw 4x6	
	737606225	Front cover (unit) for JA1510 (Canada)	30	735007006	Bed cover holder	
	737606306	Front cover (unit) for JA1508	31	735008007	Bed bottom plate	
	737606317	Front cover (unit) for JA1508 (U. K.)	32	735601109	Extension table (unit)	
	737606328	Front cover (unit) for JA1508 (Canada)	33	735009101	Extension table lid	
	737606409	Front cover (unit) for JA1506	34	735010105	Extension table	
	737606410	Front cover (unit) for JA1506 (U. K.)	35	822532008	Thread cutter	
	737606421	Front cover (unit) for JA1504 (U. K.)	36	737017005	Pattern ind.panel for JA1512	
	8	737016004		Front cover	737017108	Pattern ind.panel for JA1512 (U. K.)
		737016107		Front cover (Canada)	737023004	Pattern ind.panel for JA1510
9	730501000	Thread guide plate (unit)		737017107	Pattern ind.panel for JA1510 (U. K.)	
				737026007	Pattern ind.panel for JA1508	
10	000160102	Adjustable nut 4		737017100	Pattern ind.panel for JA1508 (U. K.)	
11	735123009	Thread guard plate		737031005	Pattern ind.panel for JA1506	
12	000115205	Set screw 4x6		737017108	Pattern ind.panel for JA1506 (U. K.)	
13	000121905	Tapping screw 4x12		737033007	Pattern ind.panel for JA1504 (U. K.)	
14	000081005	Set screw 4x8		37	737021002	Thread guide
15	737005000	Reverse button				
16	736014009	Reverse button spring				



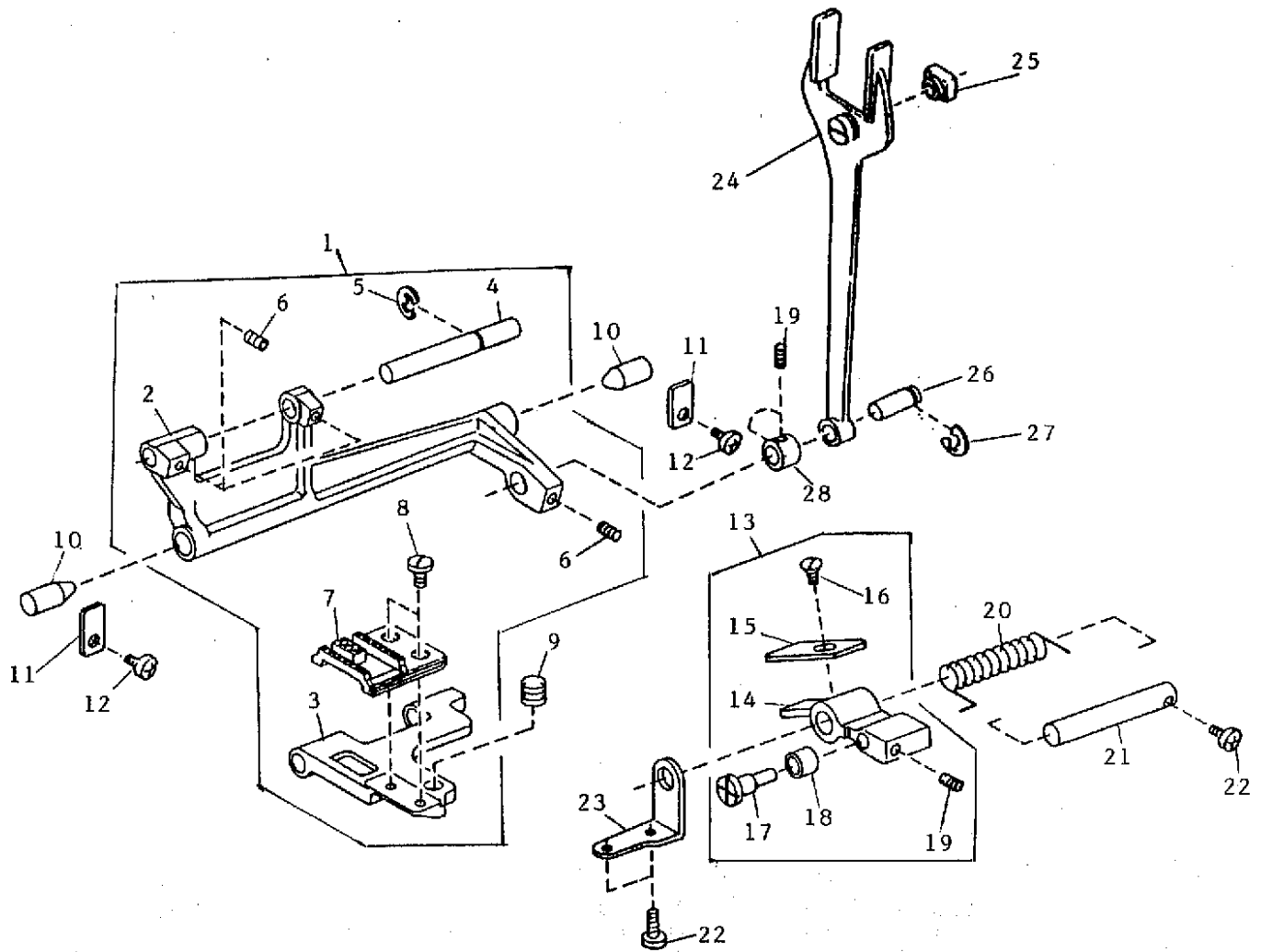
REF. NO.	PART NO.	DESCRIPTION	REF. NO.	PART NO.	DESCRIPTION
1	735604009	Presser bar base plate (unit)	18	735125001	Front panel cover set plate
2	735023008	Presser bar base plate	19	611510000	Presser foot holder
3	735024009	Needle drop adjusting plate	20	647112009	Thumb screw
4	000101404	Set screw 4x6	21	737501001	Tension assembly
5	735025000	Needle bar supporter stopper	22	735038006	Lead screw holding spring
6	000138307	Bolt 4x8	23	000103808	Set screw 3x5
7	000116103	Wave washer 4	24	735040001	Thread guide
8	735026001	Presser bar	25	735041002	Check spring
9	735027002	Presser bar spring	26	652039007	Washer
10	735028003	Presser bar bracket	27	000107307	Tapping screw 3x8B
11	000111500	Hexagon socket screw 4x8	28	000101703	Set screw 4x12
12	735029004	Presser foot lifter	29	735606001	Tension dial base plate (unit)
13	000001609	Snap ring E-5	30	735042003	Tension dial base plate
14	735030008	Tension release lever	31	735043004	Tension release arm
15	000013903	Snap ring CS-5	32	735020005	Top cover thread guide
16	000081005	Set screw 4x8	33	735044005	Tension release lever spring
17	000121503	Tapping screw 4x10	34	735130009	Tension release adjusting arm
			35	611511001	Presser foot (unit)



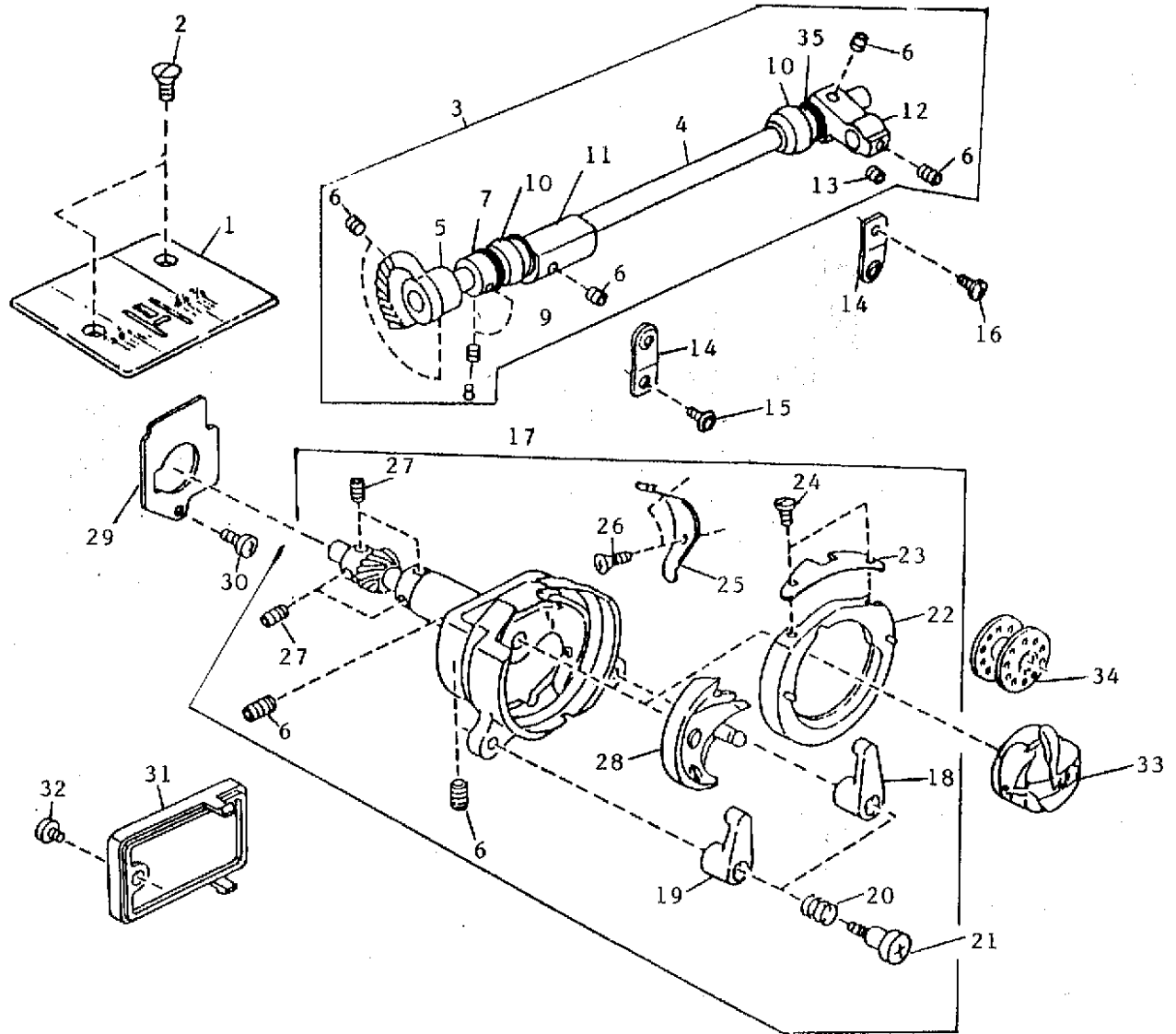
REF. NO.	PART NO.	DESCRIPTION	REF. NO.	PART NO.	DESCRIPTION
1	735607105	Upper shaft (unit)	17	000111706	Hexagon socket screw 5x8
2	735045006	Upper shaft	18	735608209	Balance wheel (unit)
3	647034006	Take-up lever crank	19	735050200	Balance wheel
4	000021708	Knock pin	20	735051005	Clutch block
5	102073003	Set screw	21	735033001	Clutch claw spring
6	761052007	Set screw	22	735052202	Clutch knob
7	000037501	Thrust washer	23	735053007	Plain washer
8	735046007	Upper shaft bushing	24	000075109	Set screw 3x12
9	658019009	Ring	25	735054008	Plain washer
10	000111304	Hexagon socket screw 5x5	26	000013501	Snap ring CS-12
11	736037008	Worm gear	27	735055205	Gap
12	000111201	Hexagon socket screw 4x4	28	735056000	Upper shaft bushing holder (upper)
13	365507002	Feed cam	29	000101301	Set screw 5x10
14	102133002	Set screw	30	735057001	Upper shaft bushing holder
15	735507001	Crank rod (unit)	31	735064001	Crank rod pin
16	735049000	Balance weight	32	735143005	Felt
			33	735149001	Felt holder
			34	672101003	Wave washer



REF. NO.	PARTS LIST	DESCRIPTION	REF. NO.	PARTS LIST	DESCRIPTION
1	737603004	Zigzag mechanism(unit)for JA1512	16	365071002	Bobbin winder wheel
	737603107	Zigzag mechanism(unit)for JA1510	17	000121905	Tapping screw 4x12B
	737603200	Zigzag mechanism(unit)for JA1508	18	000070506	Washer 4
	737607008	Zigzag mechanism(unit)for JA1506	19	735015007	Bobbin winder arm spring
	737608009	Zigzag mechanism(unit)for JA1504	20	735016204	Bobbin winder stopper
2	737011009	Index spring	21	000103107	Set screw 4x14
3	000103808	Set screw 3x5	22	000061205	Nut 4-3
4	737604005	Stitch length dial (unit) for JA1512-JA1508	23	736604002	Feed regulator (unit)
	737604108	Stitch length dial (unit) for JA1506-JA1504	24	648010009	Set screw
5	737013001	Dial	25	000160102	Adjustable nut 4
6	737014002	Stitch ind.plate for JA1512-1508	26	735074004	SS adjusting screw
	737029000	Stitch ind.plate for JA1506,1504	27	735076006	SS rod block
7	737605006	Pattern selector dial (unit) for JA1512	28	735075005	Feed regulating rod
	737605109	Pattern selector dial (unit) for JA1510	29	000002105	Snap ring (E-3)
	737605202	Pattern selector dial (unit) for JA1508,JA1504	30	735077007	Feed regulator body spring
	737605305	Pattern selector dial (unit) for JA1506	31	000111304	Hexagon socket screw 5x5
8	000081005	Set screw 4x8	32	670100006	Feed regulator spring
9	737601002	Top cover (unit)	33	000104108	Set screw 4x20
	737601105	Top cover (unit) for Canada	34	000076317	Set screw 3x10
10	737001006	Top cover	35	730045001	Reverse link
	737001009	Top cover for Canada	36	000104119	Set screw 4x20
11	652205006	Spool pin (right)	37	737015003	Pattern ind.plate for JA1512
12	736007009	Spool pin spring		737022003	Pattern ind.plate for JA1510
13	735013005	Spool pin spring base		737025006	Pattern ind.plate for JA1508,JA1504
14	736501008	Bobbin winder arm (unit)		737030004	Pattern ind.plate for JA1506
15	365076007	Bobbin winder ring	38	652302004	Spool pin (left)

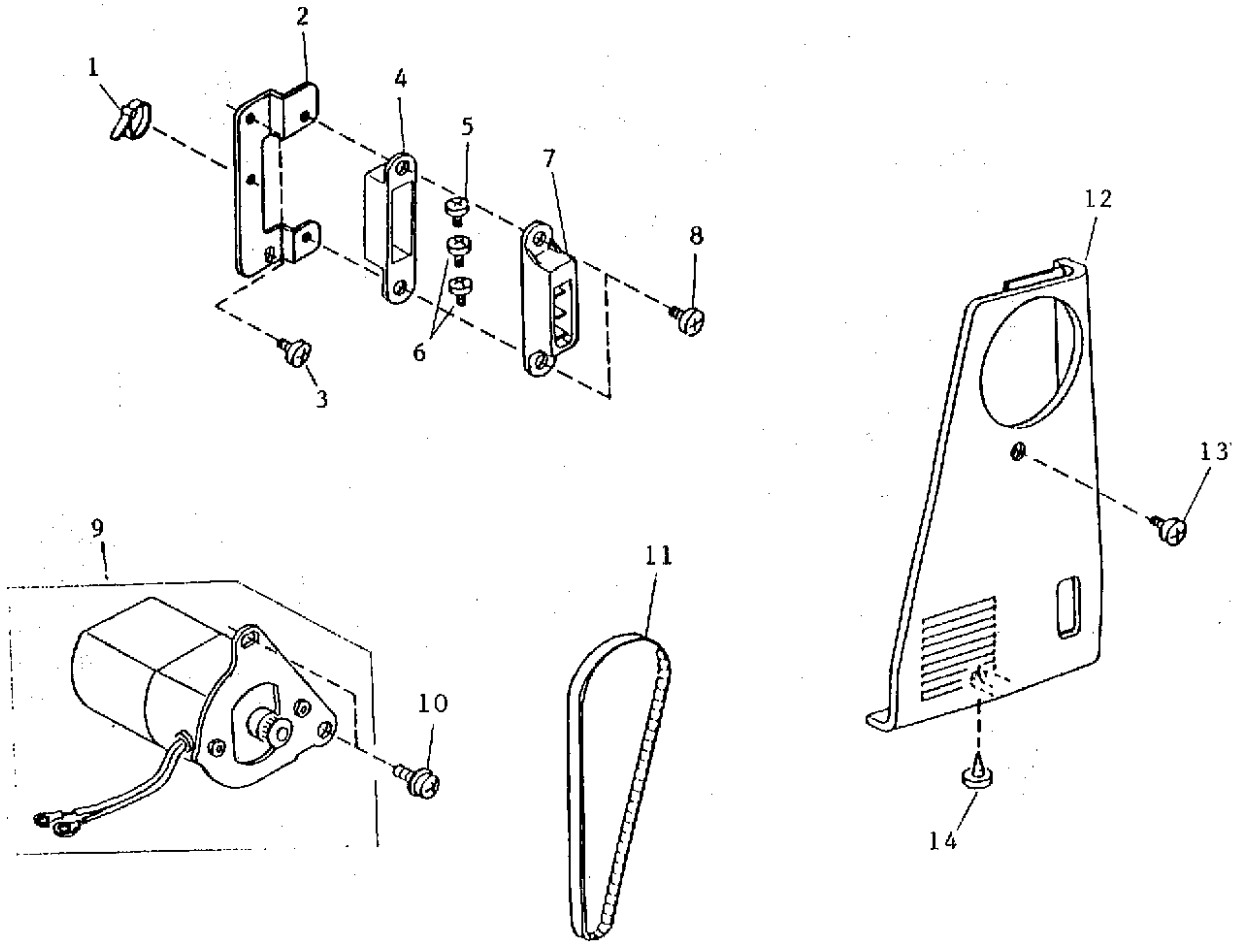


REF. NO.	PART NO.	DESCRIPTION	REF. NO.	PART NO.	DESCRIPTION
1	735612000	Feed rock shaft (unit)	15	605030002	Sliding plate
2	735078008	Feed rock shaft	16	365032001	Set screw
3	735079009	Feed bar	17	735087000	Feed lifting pin
4	735080003	Feed bar shaft	18	735088001	Feed lifting roller
5	000002507	Snap ring E-4	19	000111201	Hexagon socket screw 4x4
6	000111201	Hexagon socket screw 4x4	20	735089002	Feed lifting spring
7	735081004	Feed dog	21	735090006	Feed lifting shaft
8	735082005	Set screw	22	000097200	Set screw 4x12
9	735083006	Feed bar spring	23	735091007	Feed lifting shaft holder
10	735084007	Feed rock shaft center	24	647607006	Forked rod (unit)
11	735085008	Shaft center holding plate	25	102141003	Feed regulator slide block
12	000081119	Set screw 4x6	26	735071001	Feed rock shaft connecting pin
13	735613001	Feed lifting arm (unit)	27	000002806	Snap ring E-6
14	735086009	Feed lifting arm	28	820166001	Ring



REF. NO.	PART NO.	DESCRIPTION	REF. NO.	PART NO.	DESCRIPTION
1	736004006	Needle plate	18	605065006	Shuttle race ring clasp (right)
2	681009001	Set screw	19	605066007	Shuttle race ring clasp (left)
3	735609004	Lower shaft (unit)	20	532184003	Shuttle race ring clasp spring
4	735058002	Lower shaft	21	673290003	Hinge screw
5	735059003	Lower shaft gear	22	553168006	Shuttle race ring
6	000111304	Hexagon socket screw 5x5	23	601801000	Shuttle race spring
7	735146008	Ring	24	102100000	Set screw
8	000111201	Hexagon socket screw 4x4	25	670286007	Shuttle driver spring
9	000036201	Thrust washer 8-0.5	26	102202003	Set screw
10	735060007	Lower shaft bushing	27	553245008	Hexagon socket screw
11	735061008	Feed lifting cam	28	532096007	Shuttle hook
12	735062009	Lower shaft crank arm	29	735069006	Gear cover (inside)
13	000110107	Hexagon socket screw 5x5w	30	000115205	Set screw (TP-4x6)
14	735063000	Lower shaft bushing holder (lower)	31	735070103	Gear cover
15	000115504	Set screw (TP-5x10)	32	810220106	Set screw
16	000101301	Set screw 5x10	33	647515006	Bobbin case
17	735610008	Shuttle race body (unit)	34	102115008	Bobbin
			35	822070003	Felt

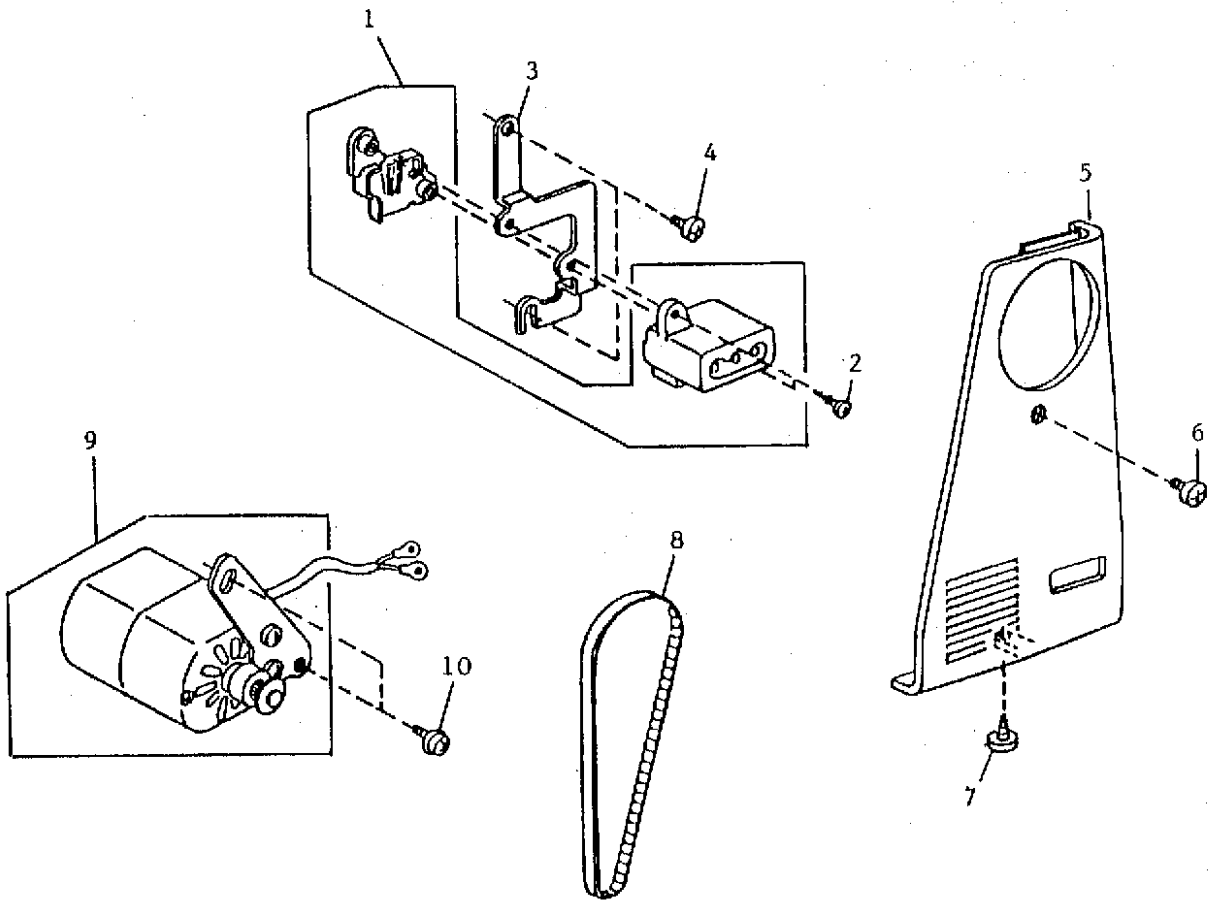
120V



(120V)

REF. NO.	PART NO.	DESCRIPTION	REF. NO.	PART NO.	DESCRIPTION
1	000053008	Cord tie band	8	000101301	Set screw 5x10
2	737018006	Machine socket set plate	9	013391218	Motor (unit)
3	000101404	Set screw 4x6	10	000115504	Set screw (TP-5x10)
4	673813008	Machine socket cap	11	650166008	Motor belt
5	000078308	Set screw 3x6	12	735126404	Belt cover
6	000078205	Set screw 3x4	13	000104119	Set screw 4x20
7	673541002	Machine socket (unit)	14	000121905	Tapping screw 4x12B

240V



(240V)

REF. NO.	PART NO.	DESCRIPTION	REF. NO.	PART NO.	DESCRIPTION
1	730507006	Machine socket (unit)	6	000104119	Set screw 4x20
2	000121400	Tapping screw 3x14B	7	000121905	Tapping screw 4x12B
3	736023001	Machine socket set plate	8	650166008	Motor belt
4	000101404	Set screw 4x6	9	023390218	Motor (unit)
5	735126307	Belt cover	10	000115504	Set screw (TP-5x10)