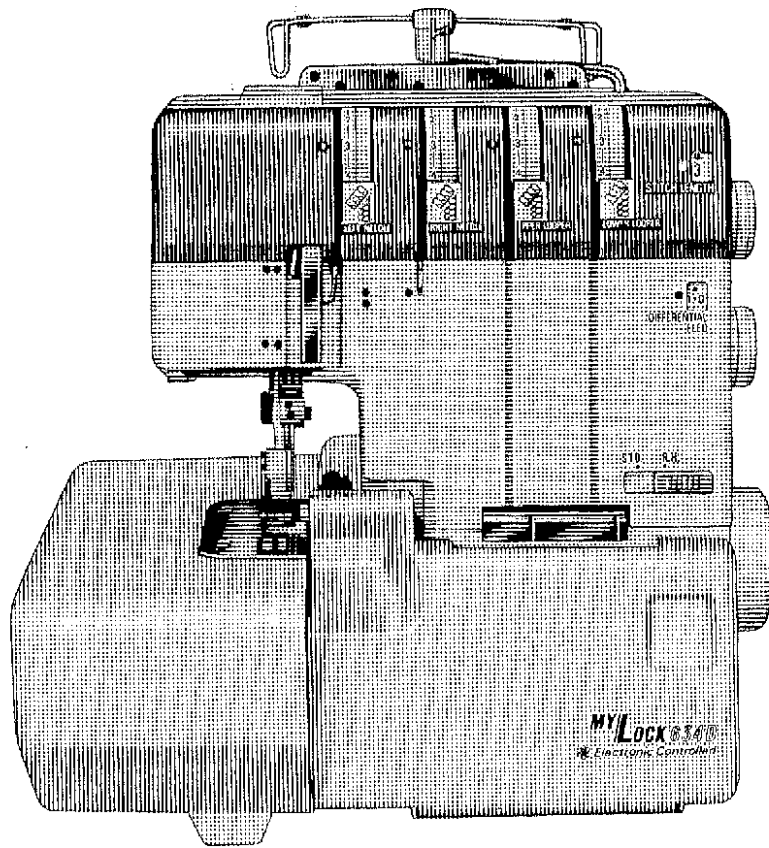
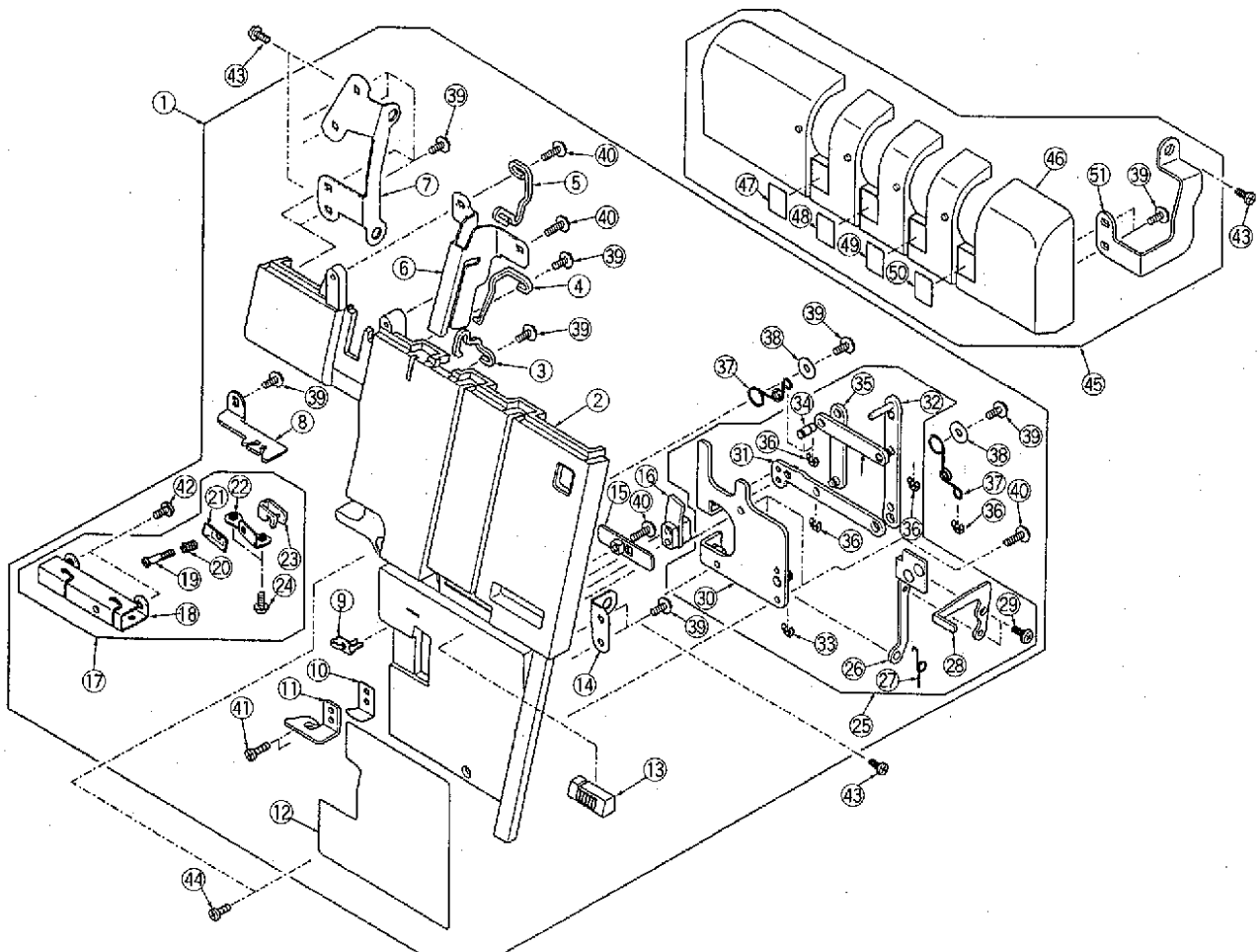


SERVICING MANUAL



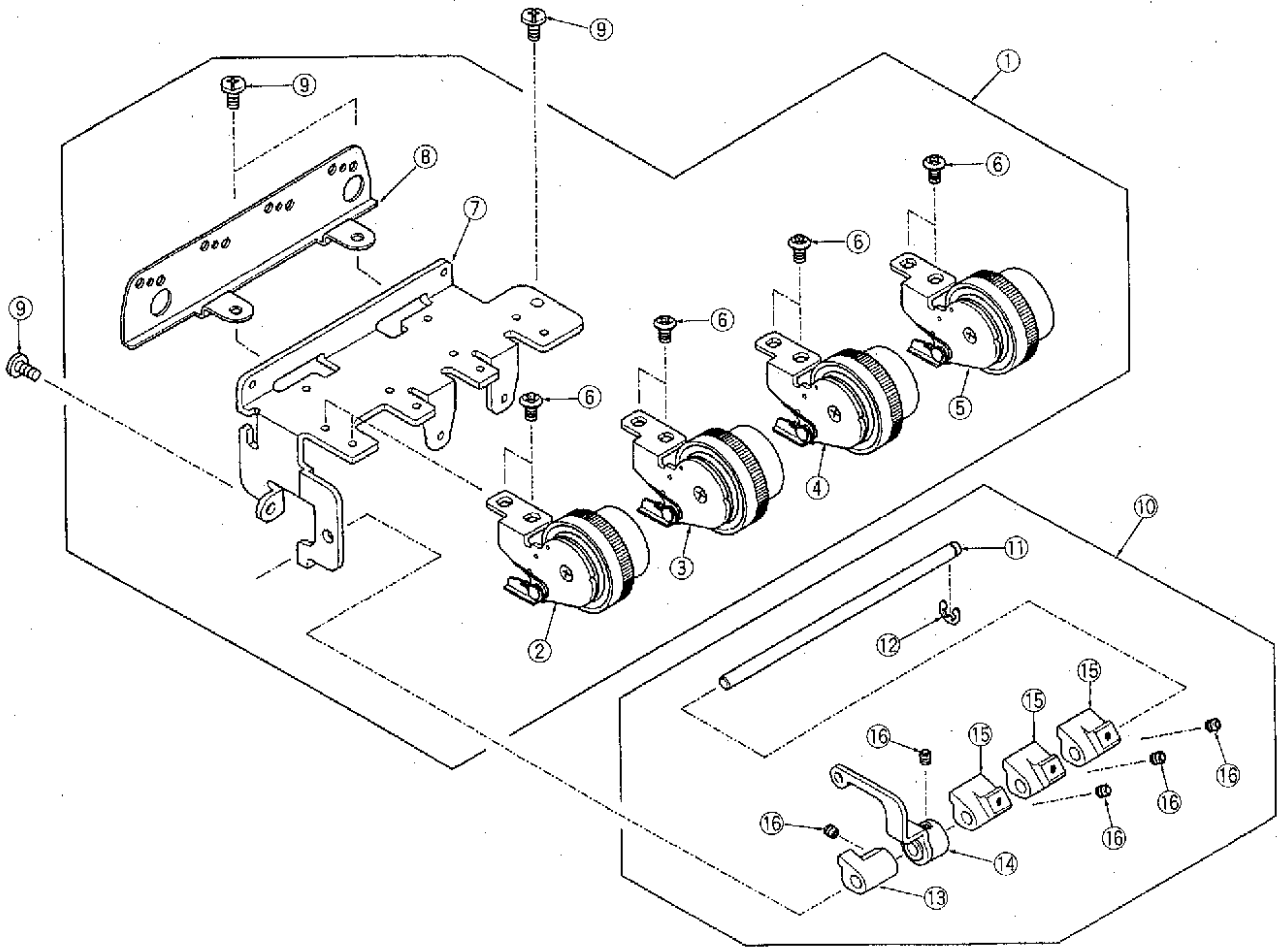
MY/LOCK 634D
 **Electronic Controlled**

PARTS LIST



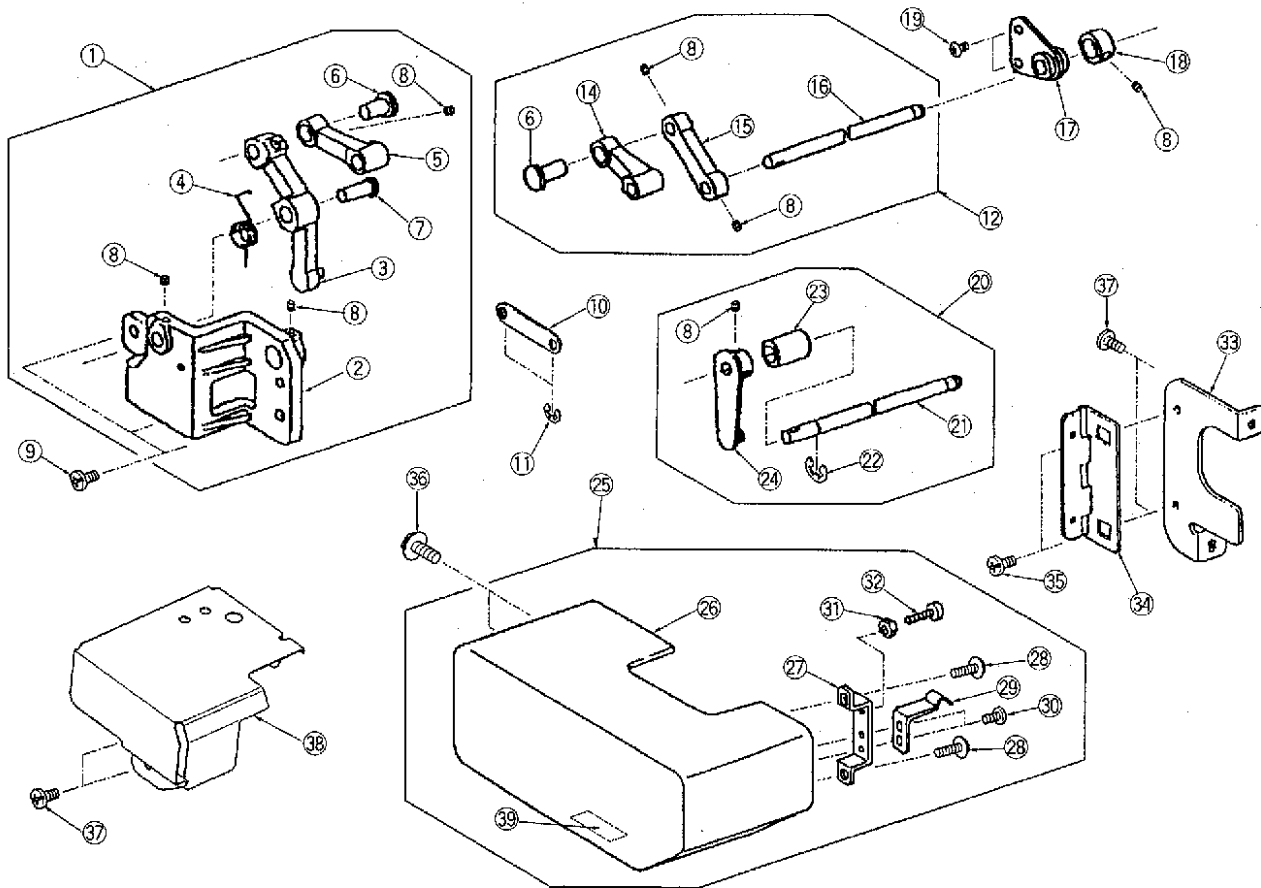
NO.	Part No.	Part name	NO.	Part No.	Part name
1	788614006	Panel cover unit	29	000101105	Set screw 3 × 4
	788614109	Panel cover unit (for JEG)	30	788074008	Sub thread tension holding plate
2	788057201	Panel cover	31	788076000	Thread tension connecting link (1)
	788057304	Panel cover (for JEG)	32	788075009	Thread tension connecting link (2)
3	788062003	Needle thread guide	33	000002507	Snap ring E-4
4	788060001	Thread guide (R)	34	788080007	Thread tension connecting Pin
5	788061002	Thread guide (L)	35	788077001	Thread tension connecting link (3)
6	788059007	Thread take-up lever cover	36	000002105	Snap ring E-3
7	788058006	Panel set Plate	37	788081008	Spring
8	788063004	Needle thread guide	38	000070506	Washer 4
9	787131001	Upper looper thread guide	39	000149301	Set screw 3 × 8
10	788094004	Thread guide spring	40	000149002	Set screw 3 × 10
11	788066007	Thread guide	41	000104913	Set screw 3 × 16
12	788090000	Threading chart	42	000078319	Set screw 3 × 6
13	788064005	Slider	43	000101404	Set screw 4 × 6
14	787134004	Panel cover set plate	44	000103417	Set screw 4 × 8
15	788065006	Slider set plate	45	788617009	Tension cover unit
16	788067008	Thread guide set plate		788617102	Tension cover unit (for NH)
17	788615007	Looper thread guide unit		788617308	Tension cover unit (for JEG)
18	788068009	Looper thread guide	46	788082205	Tension cover
19	788072006	Thread tension screw			(for JA, JCA, JUK & JNZ)
20	788071005	Sub thread tension spring		788082308	Tension cover (for NH)
21	788070004	Sub thread tension plate		788082504	Tension cover (for JEG)
22	788069000	Sub thread tension set plate	47	787143051	Seam guide (Left needle)
23	788092002	Thread tension screw set plate	48	787143154	Seam guide (Right needle)
24	000101116	Set screw 3 × 4	49	787143257	Seam guide (Upper looper)
25	788616008	Sub thread tension holding plate unit	50	787143350	Seam guide (Lower looper)
26	788078002	Thread tension release plate (1)	51	788083000	Tension cover set plate
27	788073007	Thread tension release spring			
28	788079003	Thread tension release plate (2)			

PARTS LIST



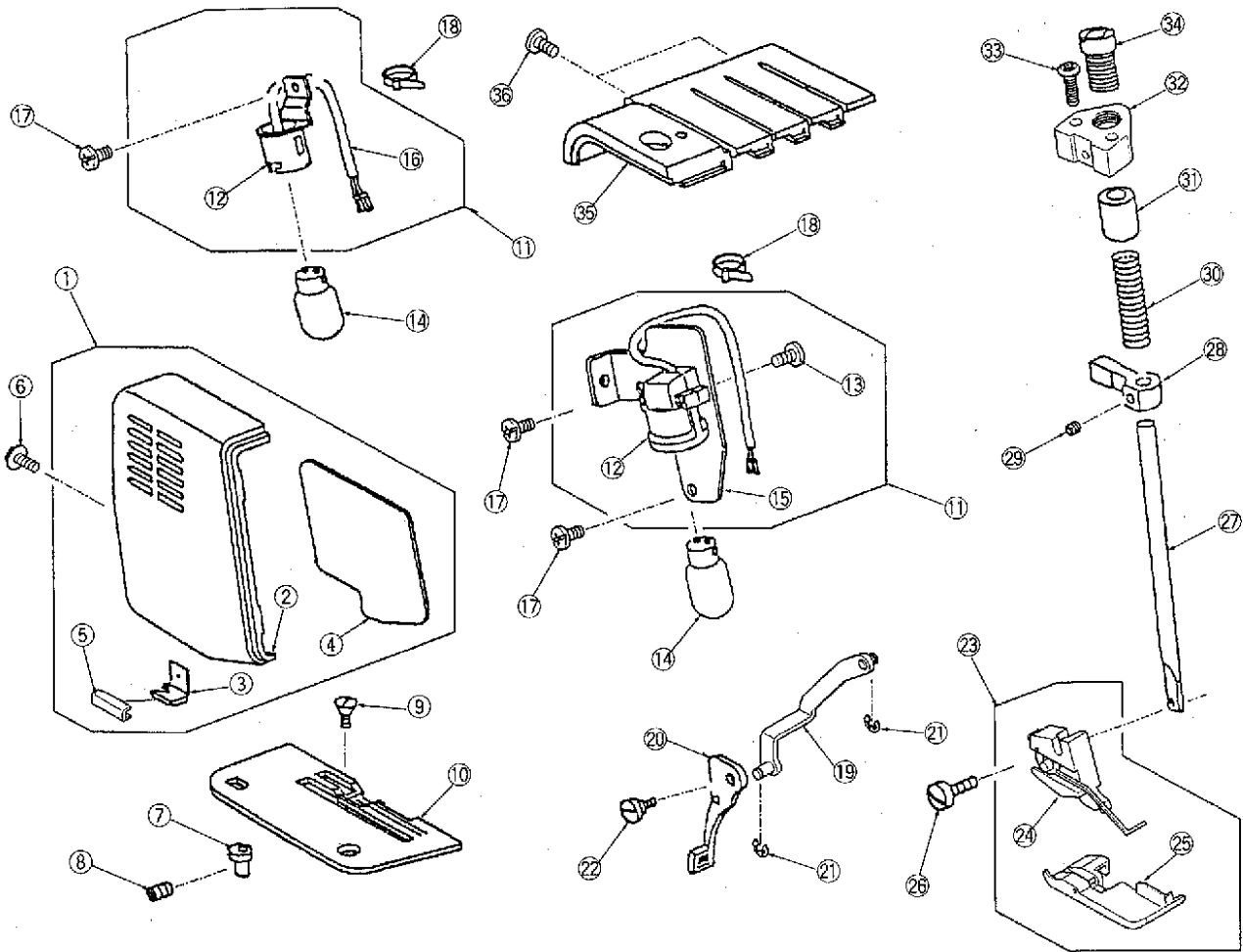
NO.	Part No.	Part name
1	788612004	Thread tension dial set plate unit
2	788503001	Left needle thread tension dial unit
3	788504002	Right needle thread tension dial unit
4	788505003	Upper looper thread tension dial unit
5	788506004	Lower looper thread tension dial unit
6	810220003	Set screw 4 x 6.5
7	788049004	Thread tension dial set plate
8	787129006	Tension thread guide plate
9	000101404	Set screw 4 x 6
10	788613005	Thread tension release shaft unit
11	788054002	Thread tension release shaft
12	000002507	Snap ring E-4
13	788056004	Cam link
14	788055003	Thread tension release lever
15	788095005	Cam link (2)
16	000111201	Hexagon socket screw 4 x 4

PARTS LIST



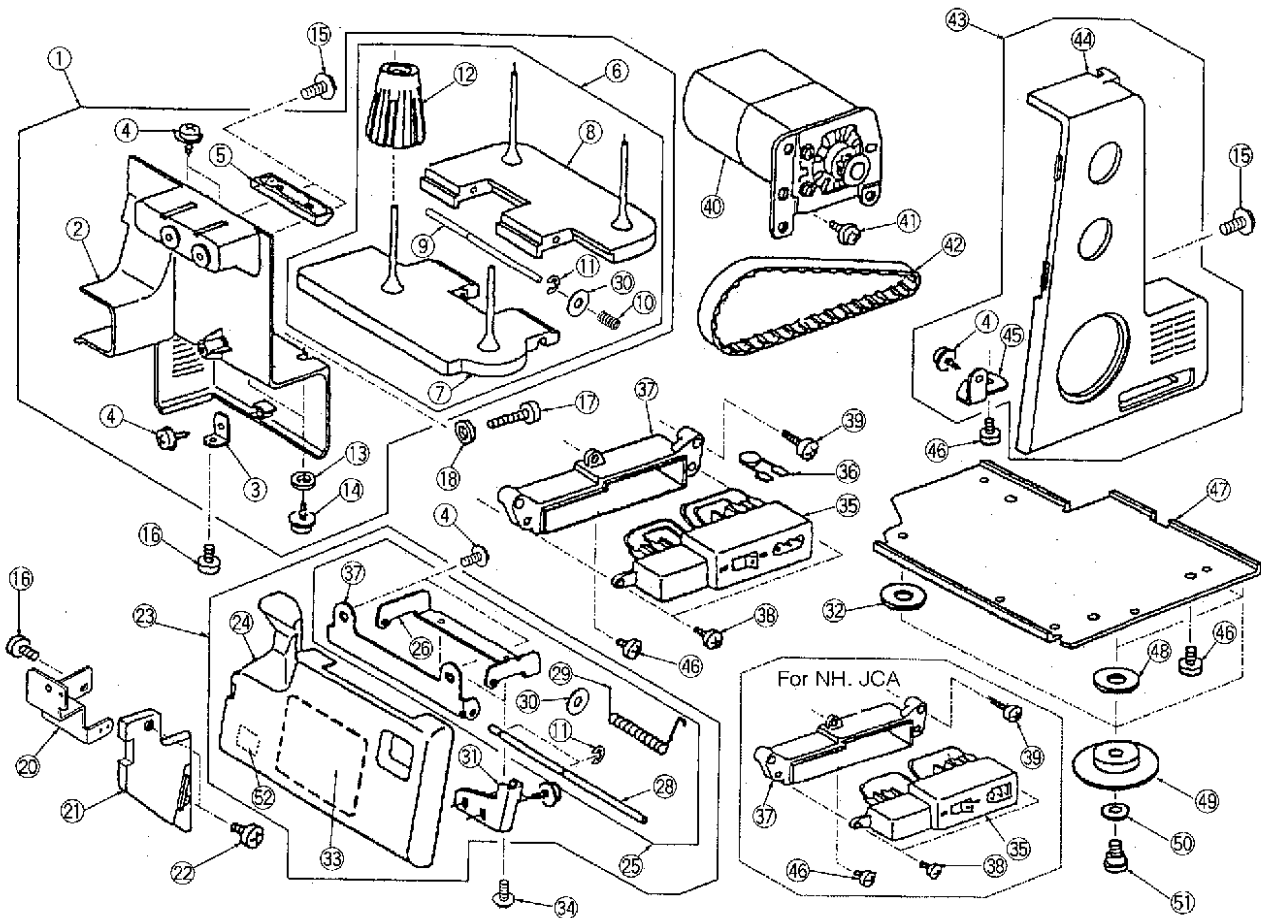
NO.	Part No.	Part name	NO.	Part No.	Part name
1	787656007	Feed regulator unit	25	787628000	Side cover unit
2	787074005	Feed regulator	26	787628206	Side cover unit (for NH)
3	787194002	Sub feed connecting arm (3)	27	787161000	Side cover
4	787301004	Sub feed connecting arm spring	28	787162001	Spring set plate
5	787067005	Feed bar link	29	000149301	Set screw 3 × 8 (B)
6	787195003	Pin	30	787163002	Spring
7	787076007	Connecting arm pin	31	000078319	Set screw 3 × 6
8	000111201	Hexagon socket screw 4 × 4	32	000160009	Adjustable nut 3
9	000103509	Set screw 4 × 10	33	000104902	Set screw 3 × 16
10	787081005	Feed connecting link	34	787165004	Hinge
11	000002105	Snap ring E-3	35	787507002	Side cover hinge unit
12	787613006	Main feed connecting arm (2) unit	36	000101404	Set screw 4 × 6
13			37	000115700	Set screw 4 × 10
14	787067005	Feed bar link	38	000081005	Screw 4 × 8
15	787078009	Main feed connecting arm (2)	39	787356004	Cover Plate
16	787198006	Main connecting shaft		830312016	Caution sticker (for NH)
17	787077008	Connecting arm supporter		100045000	Caution sticker (for JCA)
18	650136009	Ring			
19	810220003	Screw 4 × 6.5			
20	787655109	Main feed connecting arm (B) unit			
21	787270003	Sub feed connecting arm (B)			
22	000001609	Snap ring E-5			
23	625144002	Feed bar bushing (front)			
24	787193001	Main feed connecting arm (2)			
25	787628000	Side cover unit			
	787628206	Side cover unit (for NH)			

PARTS LIST



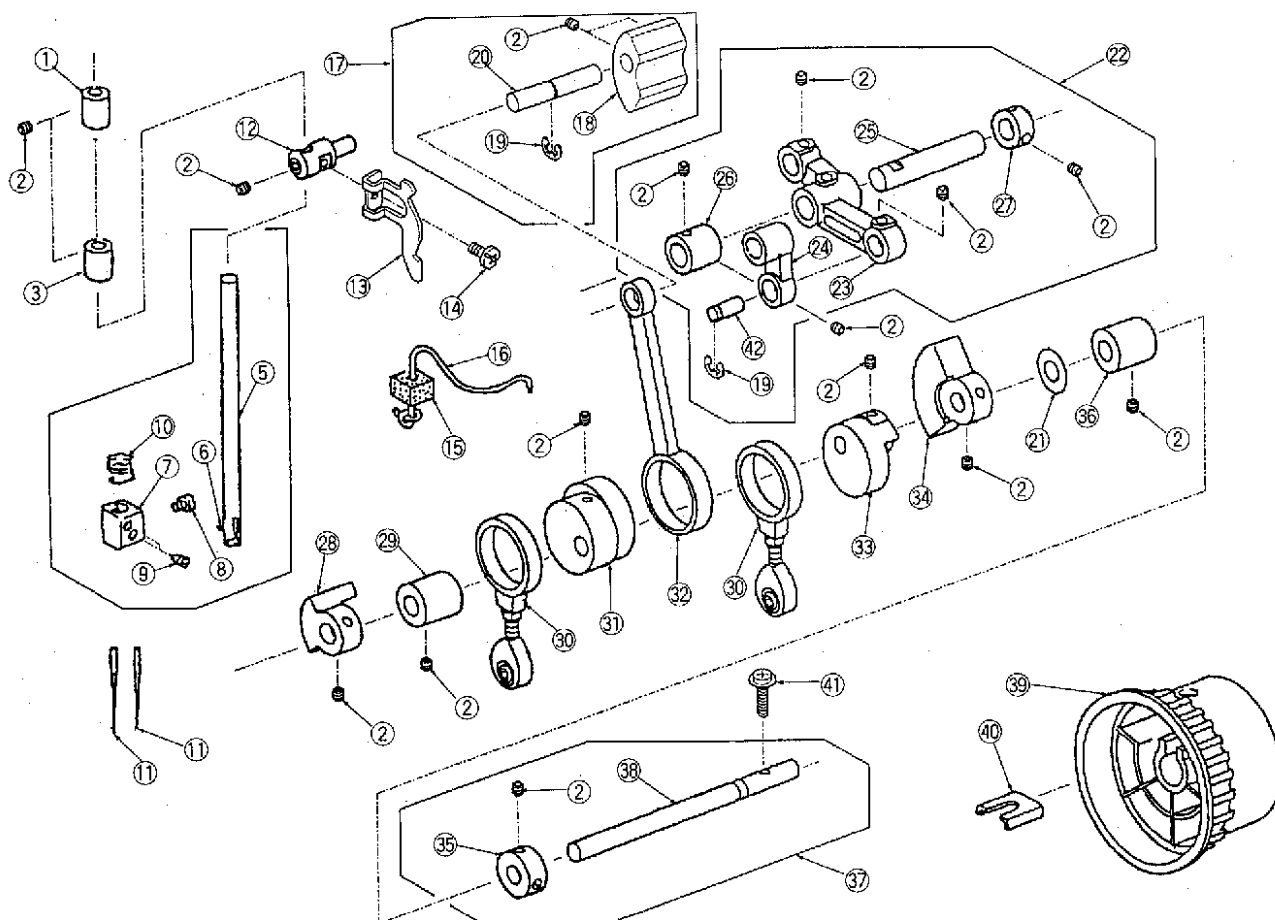
NO.	Part No.	Part name	NO.	Part No.	Part name
1	787608004	Face plate unit	24	787541008	Foot holder unit
2	787030009	Face plate	25	788502000	Presser foot (lower) unit
3	822532008	Thread cutter unit	26	763048006	Set screw
4	787031000	Reflecting sticker	27	787019002	Presser bar
5	753235001	Thread cutter cover	28	724118007	Presser bar bracket
6	000115618	Set screw 4 × 8	29	000111304	Hexagon socket screw 5 × 5
7	784004007	Eccentric pin	30	787020006	Presser bar spring
8	000111902	Hexagon socket screw 3 × 4	31	777002001	Bushing
9	681009008	Flat head set screw	32	788005008	Presser adjusting screw bracket
10	787601007	Needle plate unit	33	000104706	Screw 4 × 16
11	787631006	Lamp socket unit (for JA)	34	777013005	Presser adjusting screw
	787633008	Lamp socket unit (for JCA)	35	787160009	Top cover
12	787502007	Lamp socket unit (for JA)	36	000103417	Set screw 4 × 8
	787512000	Lamp socket unit (for JCA)			
	787510008	Lamp socket unit (for NH)			
13	000161000	Set screw 3 × 9 (P)			
14	000009009	Bulb 240V. 15W. BA15D			
	000009803	Bulb 120V. 15W.			
15	787026002	Lamp socket set plate			
16	785285108	Venyl tube (for JCA only)			
17	000101404	Set screw 4 × 6			
18	000053008	Binder			
19	788089006	Thread releasing lever			
20	650032015	Presser bar lifter			
21	000002105	Snap ring E-3			
22	810431009	Hinge screw			
23	788501009	Presser foot unit			

PARTS LIST



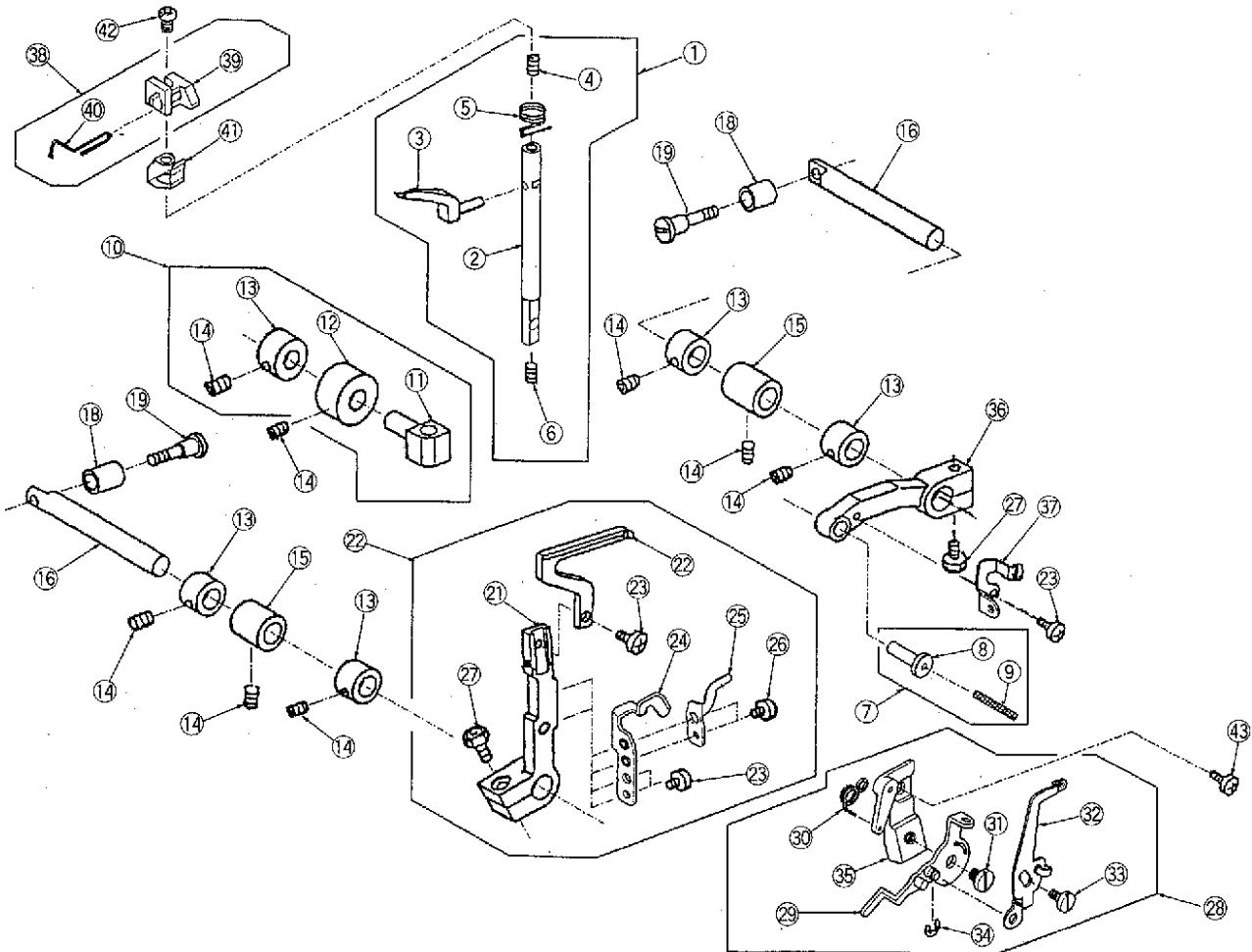
NO.	Part No.	Part name	NO.	Part No.	Part name
1	787623005	Back cover unit	29	784122000	Looper cover hinge spring
2	787145008	Back cover	30	000071013	Washer
3	787174006	Back cover set plate	31	787181006	Looper cover set plate
4	000149301	Set screw 3 × 8 (B)	32	787204006	Washer (for left front leg)
5	787173005	Finger guard	33	787188006	Caution sticker
6	787624006	Spool stand unit	34	000115205	Set screw 4 × 6
7	787147000	Spool stand	35	784508107	Machine socket unit (for JA)
8	787148001	Sub spool stand		787508003	Machine socket unit (for NH)
9	787149002	Spool stand connecting pin		784511206	Machine socket unit (for JCA)
10	787201003	Spring	36	784509005	Condenser unit (for JA only)
11	000002105	Snap ring E-3	37	784128028	Machine socket cover
12	784223105	Spool holder	38	000121905	Set screw 4 × 12 (B)
13	000070506	Washer	39	000104108	Set screw 4 × 20
14	000149002	Set screw 3 × 10 (B)	40	023271119	Motor Unit (for JA)
15	000115618	Set screw 4 × 8		013471213	Motor Unit (for JCA)
16	000081005	Set screw 4 × 8		013471121	Motor Unit (for NH)
17	000103211	Set screw 4 × 30	41	000115504	Set screw 5 × 10
18	000070528	Washer 4	42	784124002	Timing belt
20	788085002	Looper cover guide set plate	43	787627009	Belt cover unit
21	788086003	Looper cover guide	44	787157003	Belt cover
22	000078320	Set screw 3 × 6	45	787158004	Belt cover set plate
23	787625052	Looper cover unit (for JA)	46	000081005	Set screw 4 × 8
	787625258	Looper cover unit (for NH)	47	787156002	Base plate
	787625155	Looper cover unit (for JCA)	48	785260004	Washer
24	787150501	Looper cover	49	784135006	Cushion
25	787626008	Looper cover hinge unit	50	000070300	Washer 5
26	787151007	Looper cover supporter	51	784169009	Hinge screw (Large)
27	787152008	Looper cover hinge	52	100045000	Caution sticker (for JCA)
28	784121010	Looper cover hinge pin		830312016	Caution sticker (for NH)

PARTS LIST



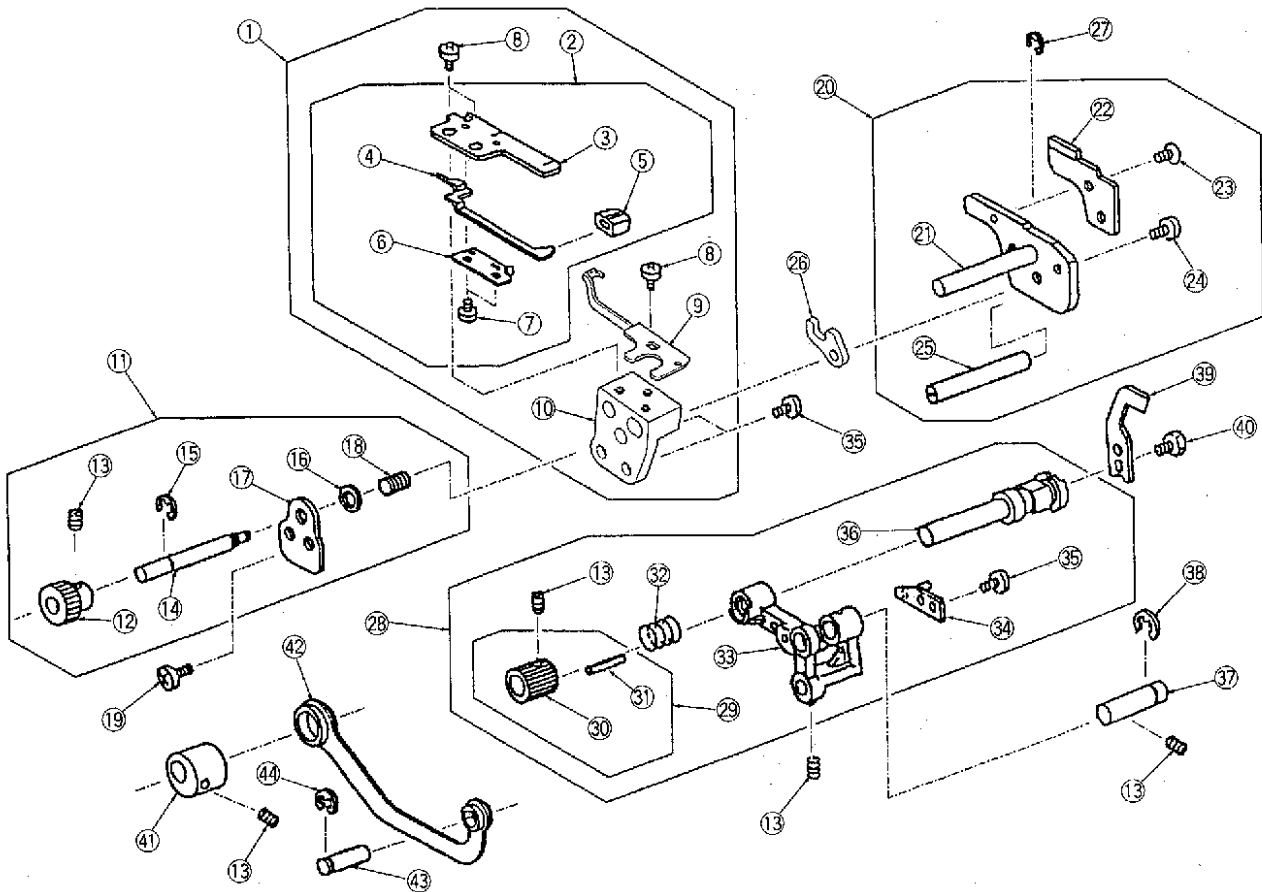
NO.	Part No.	Part name	NO.	Part No.	Part name
1	784027004	Bushing	28	787177009	Balance weight (left)
2	000111201	Hexagon socket screw 4 × 4	29	784310007	Bushing
3	784028005	Bushing	30	784602009	Looper cam ring unit
4	787606002	Needle bar unit	31	787007007	Needle bar cam
5	787015008	Needle bar	32	784011005	Needle bar crank rod
6	000022307	Pin 1.6 × 8	33	787004004	Upper looper cam
7	785004020	Needle bar clamp	34	787176008	Balance weight (right)
8	785026017	Set screw	35	619006002	Ring
9	785008024	Needle set screw	36	784009000	Bushing
10	785009003	Needle bar thread guide	37	787670007	Main shaft unit
11	784157015	Needle HA-1 SP 14	38	787345000	Main shaft
12	784024001	Connecting stud	39	787175007	Balance wheel
13	788004007	Take up lever	40	787114008	Balance wheel set plate
14	000078319	Set screw 3 × 6	41	000114802	Set screw 4 × 12
15	787027003	Felt (1)	42	784022009	Link pin
16	763033020	String			
17	787686006	Needle bar balance weight unit			
18	787347002	Needle bar balance weight			
19	000001609	Snap ring E-5			
20	787346001	Needle bar balance weight pin			
21	000038605	Washer			
22	787604000	Needle bar crank unit			
23	787021007	Needle bar crank			
24	787146009	Needle bar link			
25	787010003	Needle bar crank shaft			
26	787011004	Ring			
27	624245001	Ring			

PARTS LIST



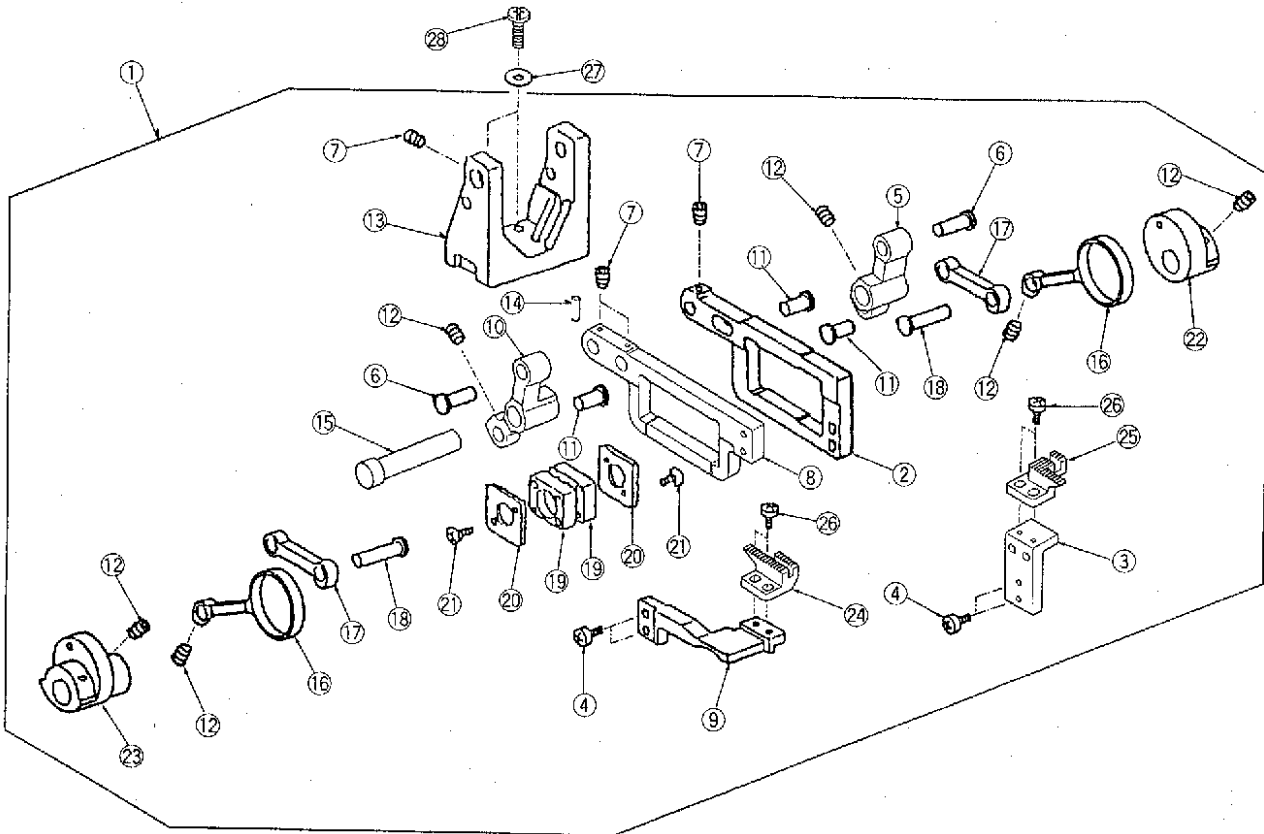
NO.	Part No.	Part name	NO.	Part No.	Part name
1	788609008	Upper looper drive shaft unit	28	788611003	Thread guide supporter unit
2	788039001	Upper looper drive shaft	29	788044009	Thread guide (2)
3	784076008	Upper looper	30	788046001	Lower looper spring
4	000112501	Hexagon socket screw	31	788047002	Hinge screw
5	784077009	Upper looper thread guide (3)	32	788045000	Thread guide (3)
6	000177205	Hexagon socket screw 3 × 6	33	788048003	Hinge screw
7	787632007	Upper looper pin unit	34	000002105	Snap ring E-3
8	787115009	Upper looper pin	35	788043008	Thread guide supporter
9	787192000	String	36	787109000	Upper looper driving arm
10	787619008	Upper looper shaft guide unit	37	788038000	Upper looper thread guide
11	787112006	Upper looper shaft guide	38	788618000	Spreader unit
12	787113007	Bushing	39	788087004	Spreader base
13	787106007	Ring	40	788088005	Spreader
14	000111201	Hexagon socket screw	41	788040005	Spreader base plate
15	787104005	Bushing	42	788041006	Set screw 4 × 6
16	787105006	Upper looper crank shaft	43	000101415	Set screw 4 × 6
18	787107008	Crank ring			
19	787108009	Hinge screw			
20	788610002	Lower looper unit			
21	785024107	Lower looper drive arm			
22	784083101	Lower looper			
23	000078320	Set screw 3 × 6			
24	788042007	Rear needle guard			
25	785023003	Front needle guard			
26	000099006	Hexagon socket screw 4 × 4			
27	000138008	Bolt 4 × 16			

PARTS LIST



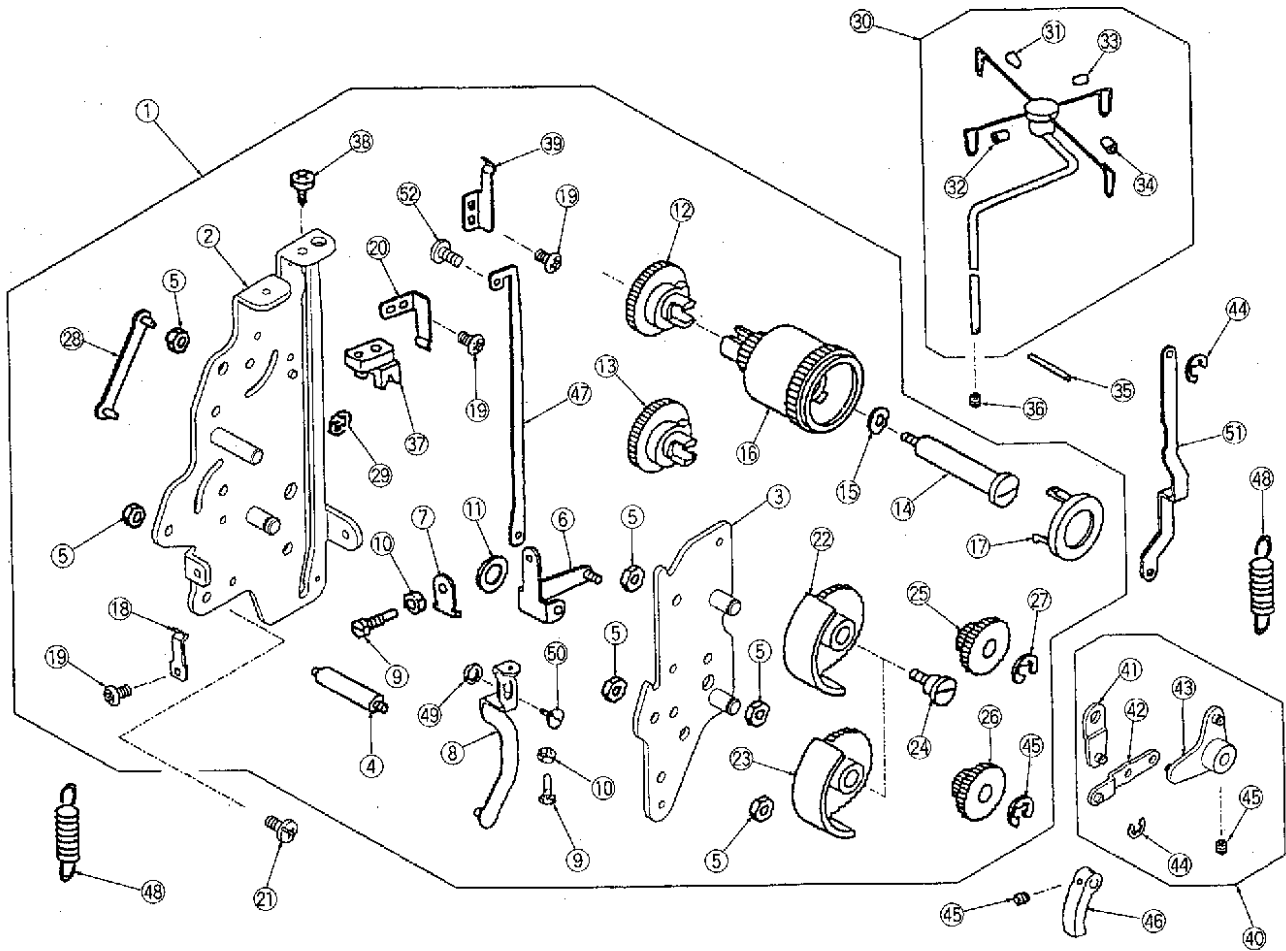
NO.	Part No.	Par tname	NO.	Part No.	Par tname
1	788604003	Chaining finger set plate unit	28	788602001	Upper knife drive arm unit
2	788605004	Chaining finger unit	29	784607- - -	Upper knife knob unit
3	788016002	Chaining finger set plate	30	784044007	Upper knife knob
4	788017003	Chaining finger	31	000003601	Spring pin 2 x 14
5	787041003	Needle plate setting knob	32	784043006	Spring
6	788018004	Chaining finger spring	33	787033002	Upper knife drive arm
7	820373003	Set screw 2 x 3	34	784041004	Upper knife guide
8	000078320	Set screw 3 x 6	35	810220003	Set screw 4 x 6.5
9	788019005	Fixed needle guard	36	788009002	Upper knife supporter
10	788015001	Chaining finger bracket	37	787022008	Pin
11	788619001	Chaining finger bracket unit	38	000002909	Snap ring E-7
12	787050005	Lower knife release knob	39	788011007	Upper knife
13	000111201	Hexagon socket screw 4 x 4	40	624303008	Hexagon bolt 4 x 6
14	788020009	Lower knife adjusting bar	41	788008001	Upper knife drive cam
15	000002507	Snap ring E-4	42	787032001	Upper knife connecting rod
16	000070300	Washer 5	43	787012005	Pin
17	787046008	Guide plate	44	000001609	Snap ring E-5
18	787048000	Spring			
19	000081005	Set screw 4 x 8			
20	788603002	Lower knife unit			
21	788012008	Lower knife set plate			
22	788013009	Lower knife			
23	000102221	Set screw 4 x 6			
24	000114710	Set screw 3 x 6			
25	788014000	Lower knife shaft			
26	788021000	Nut			
27	000001207	Snap ring E-2.5			

PARTS LIST



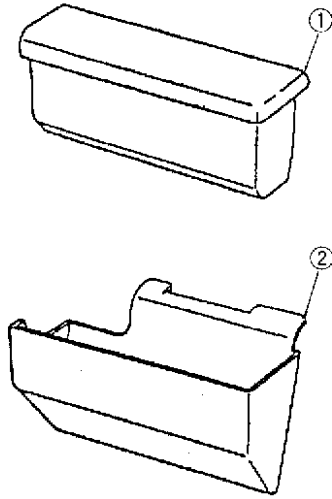
NO.	Part No.	Part name	NO.	Part No.	Part name
1	788606005	Feed bar unit	28	000101817	Set screw 4 × 16
2	788022001	Main feed bar			
3	788023002	Main feed dog bracket			
4	000104201	Set screw 3.5 × 10			
5	787054009	Main feed bar drive arm			
6	787055000	Pin			
7	000111902	Hexagon socket screw			
8	788024003	Sub feed bar			
9	788025004	Sub feed dog bracket			
10	787212007	Sub feed driving arm			
11	787059004	Pin			
12	000111201	Hexagon socket screw 4 × 4			
13	787305008	Feed bar base			
14	000122803	Pin			
15	787306009	Feed driving arm pin			
16	787065003	Feed bar link			
17	787066004	Feed rocking link			
18	787068006	Pin			
19	787210005	Block			
20	787071002	Set plate			
21	787189004	Set screw 2.6 × 5			
22	787072003	Main feed drive cam			
23	787073004	Sub feed drive cam			
24	788028007	Sub feed dog			
25	788027006	Main feed dog			
26	000066705	Set screw 3 × 8			
27	000070506	Washer 4			

PARTS LIST



NO.	Part No.	Part name	NO.	Part No.	Part name
1	788608007	Feed adjuster bracket unit	28	788037009	Connecting rod
2	788033005	Frame (1)	29	000014306	Snap ring CS-3
3	788034006	Frame (2)	30	787616005	Thread guide bar unit
4	785375003	Pin	31	787190008	Thread guide cap
5	000061205	Nut	32	787190101	Thread guide cap
6	787089003	Feed adjuster arm	33	787190204	Thread guide cap
7	785156006	Base plate	34	787190307	Thread guide cap
8	787264004	Differential feed adjuster arm	35	787097004	Pin
9	785224006	Adjusting screw	36	000111902	Hexagon socket screw
10	000160102	Adjustable nut 4	37	787095002	Thread guide bar stopper
11	000036500	Washer FT60 x 0.5	38	000161206	Set screw 3 x 10 (B)
12	787091008	Feed adjuster cam	39	787099006	Spring
13	788036008	Differential feed adjuster cam	40	788607006	Main feed connecting arm unit
14	785218007	Dial shaft	41	788031003	Differential regulating arm
15	000116206	Washer 6	42	788030002	Feed connecting plate
16	785309109	Dial	43	788029008	Main feed connecting arm
17	785221106	Dial cover	44	000002105	Snap ring E-3
18	787263003	Index spring (1)	45	000111201	Hexagon socket screw 4 x 4
19	000081119	Set screw 4 x 6	46	788032004	Sub feed connecting arm
20	787093000	Index spring (2)	47	787191009	Set plate
21	000081005	Set screw 4 x 8	48	787259006	Differential feed spring
22	785315500	Stitch length indicator	49	785222004	Set plate
23	785315706	Differential feed indicator	50	785286006	Hinge screw
24	785380001	Hinge screw	51	787102003	Feed rod
25	785313003	Teethed wheel	52	000101105	Set screw 3 x 4
26	785381002	Intermediate teethed wheel			
27	000001609	Snap ring E-5			

PARTS LIST



NO.	Part No.	Part name
1	787172004	Accessory box unit
2	787171106	Dust box





