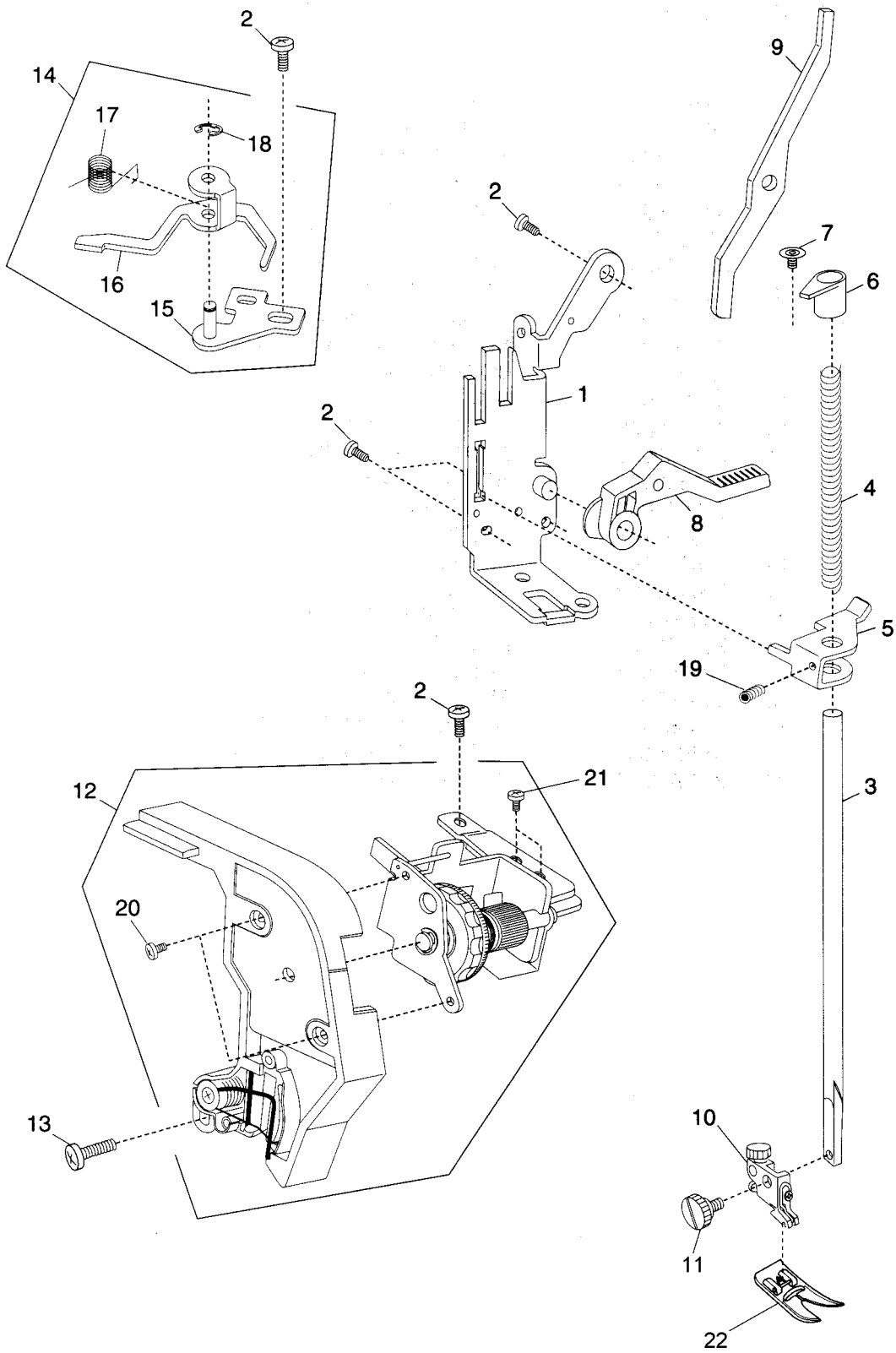


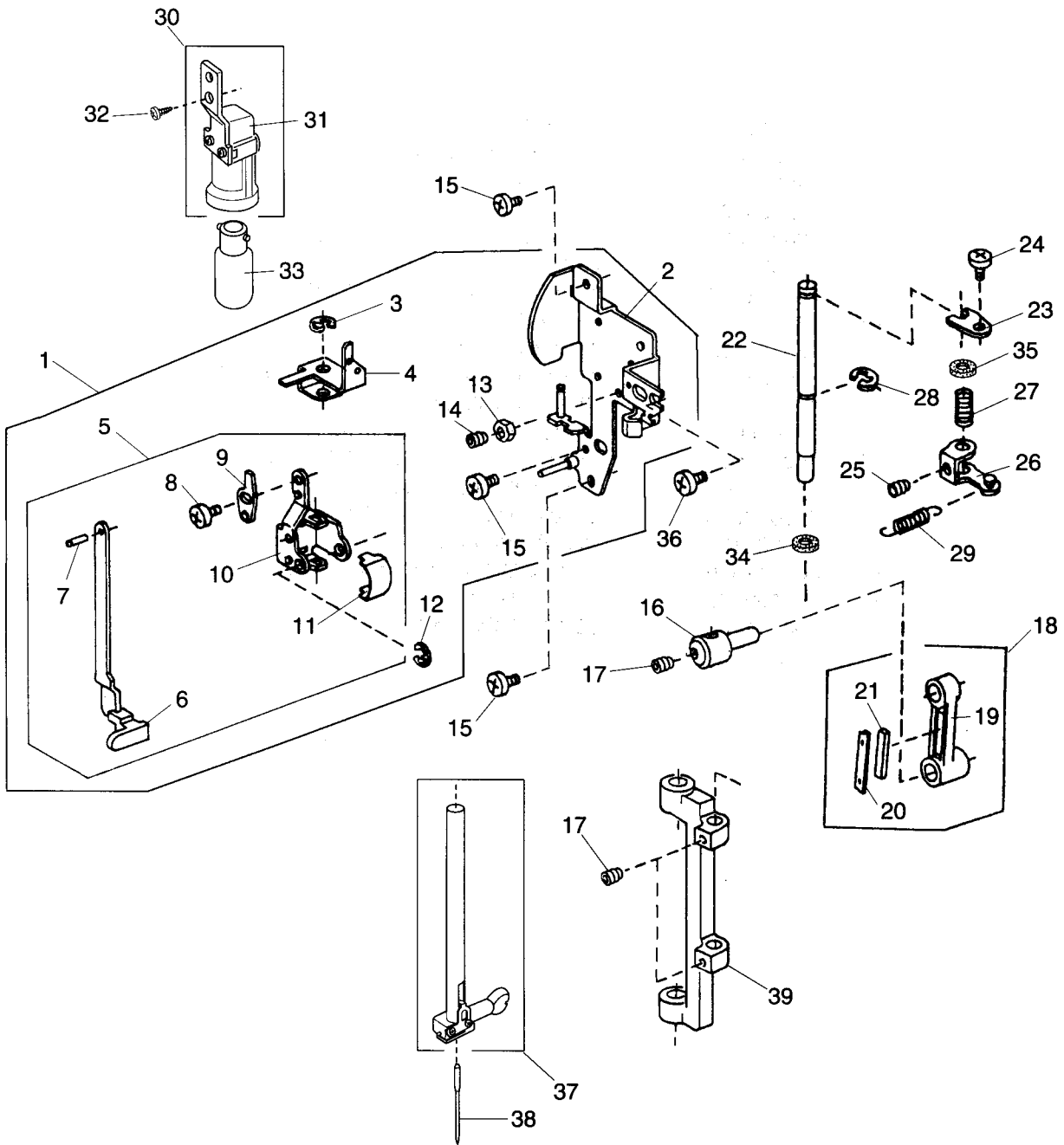
PARTS LIST

MODEL 659

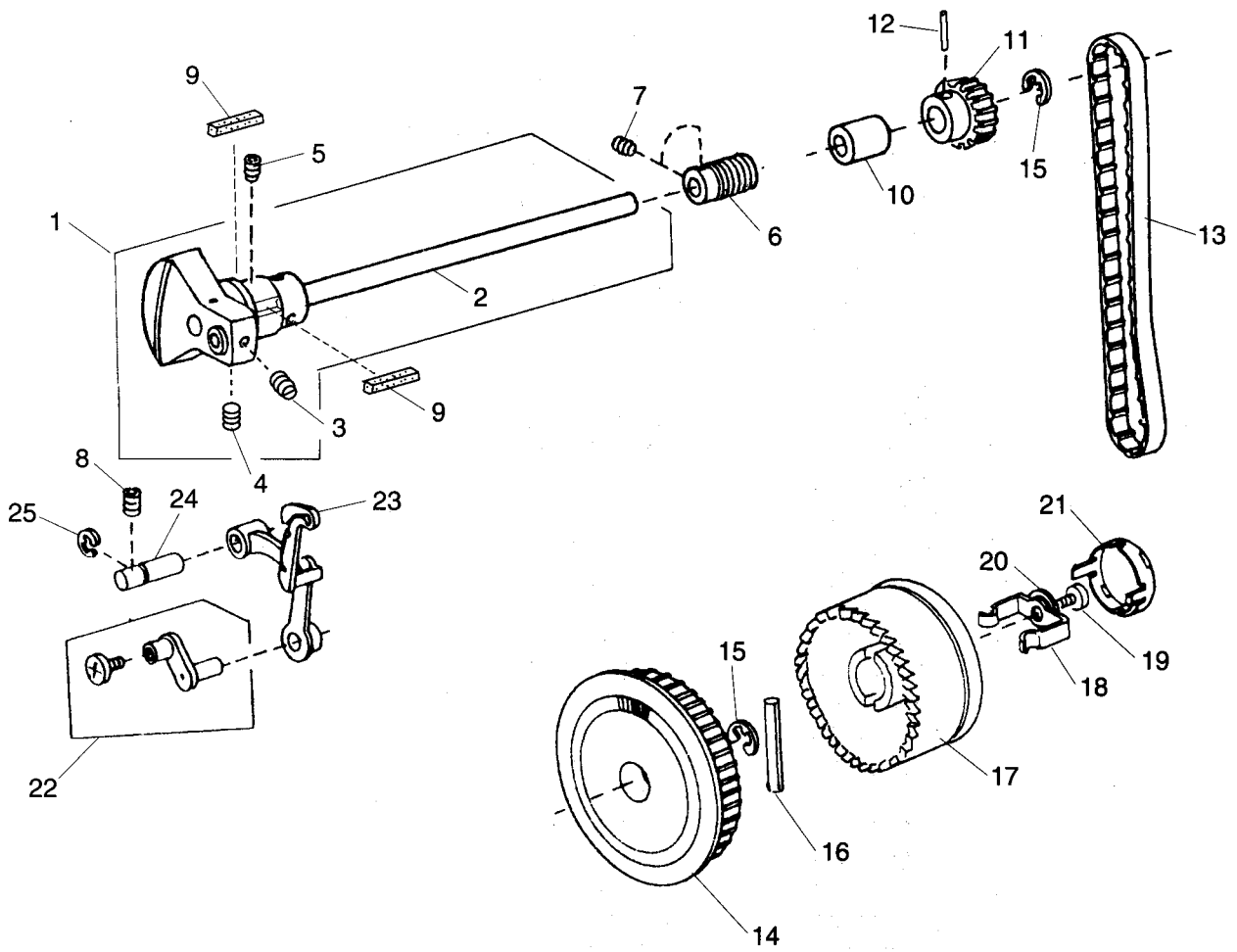
Specification code



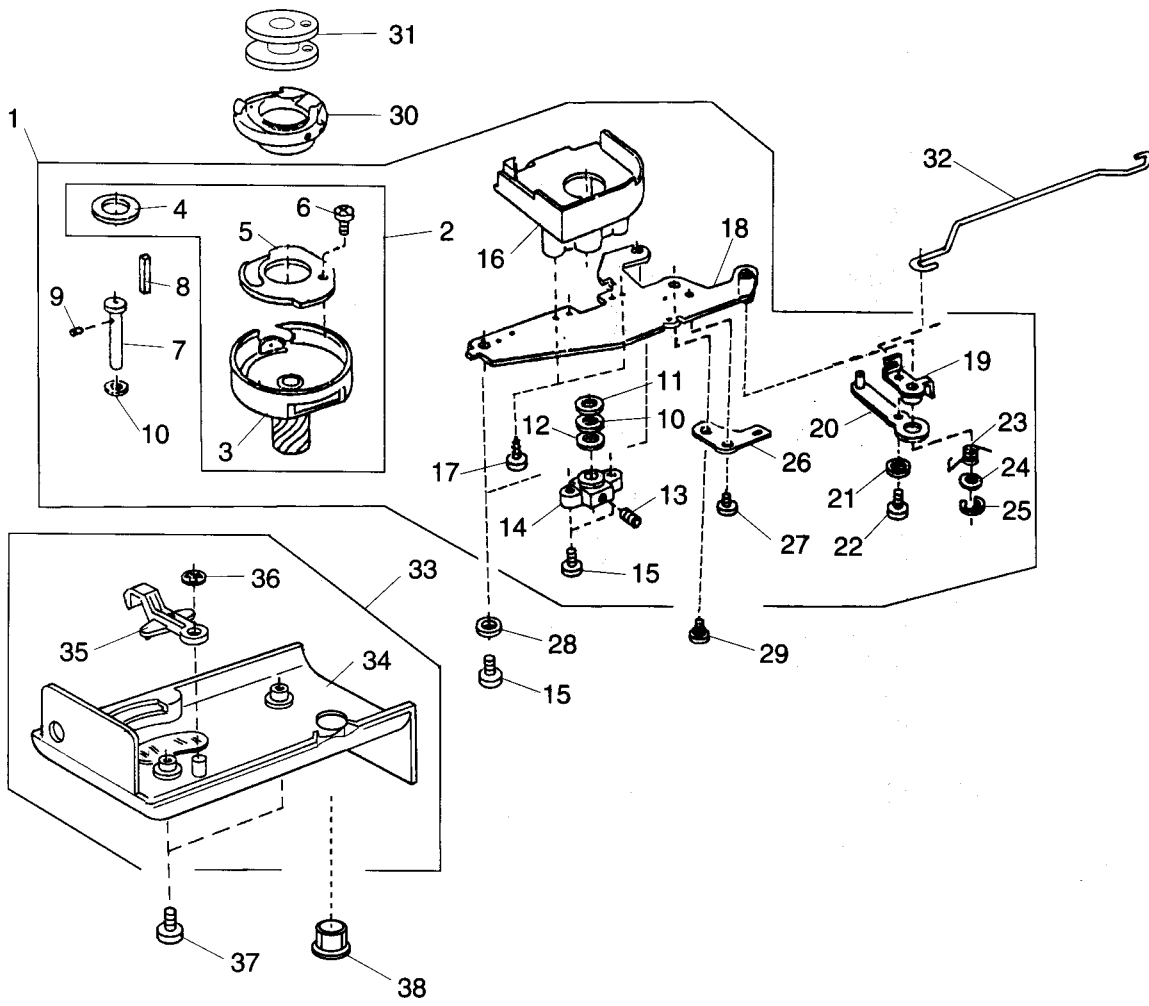
REF. NO.	PART NO.	NAME
1	751603101	Needle plate unit
2	653179209	Needle plate
3	752005007	Hook cover plate holder (left)
4	825015010	Hook cover plate holder (right)
5	825016000	Hook cover plate release button
6	825017001	Hook cover plate holder spring
7	820374004	Setscrew
8	820390109	Needle plate Setscrew
9	750036012	Hook cover plate
10	751008007	Needle plate adjusting plate (left)
11	822011109	Bobbin holder stopper
12	822314002	Nut
13	000103808	Setscrew
14	751009008	Shuttle hook stopper unit
15	751502006	Needle plate adjusting plate (right)
16	810220003	Setscrew
17	000066705	Setscrew
18	655002103	Base lid
19	000103509	Setscrew
20	739064003	Bed rubber cushion
21	735616004	Rubber base unit
22	735002001	Rubber base
23	000097303	Setscrew
24	000061412	Hexagonal nut
25	654078004	Free arm cover set plate
26	820373003	Setscrew



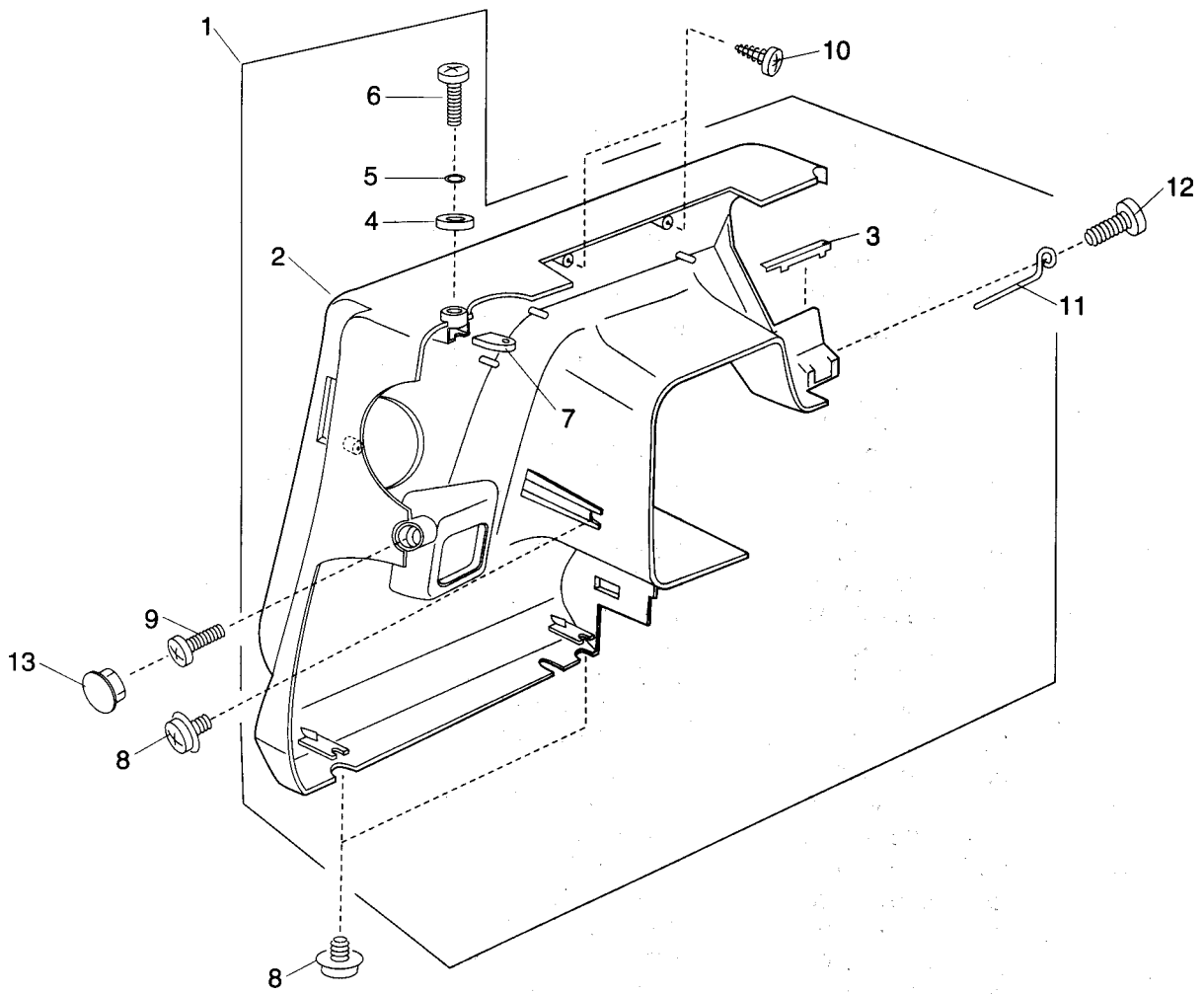
REF. NO.	PART NO.	Name
1	827020025	Presser base plate
2	000081005	Setscrew
3	685312009	Presser bar
4	651014003	Presser bar spring
5	735028003	Presser bar supporter
6	652104004	Presser bar bushing
7	000193001	Setscrew
8	735029004	Presser foot lifter
9	751142004	Tension release lever
10	685503010	Zigzag foot unit
11	753199002	Thumb screw
12	659501109	Thread tension regulator unit
13	000093309	Setscrew
14	752616007	Tension release arm unit
15	752055002	Tension release arm plate
16	752032003	Tension release arm
17	752056003	Tension release spring
18	000002105	Snap ring
19	000111500	Hexagonal socket screw
20	000103808	Setscrew
21	000101105	Setscrew



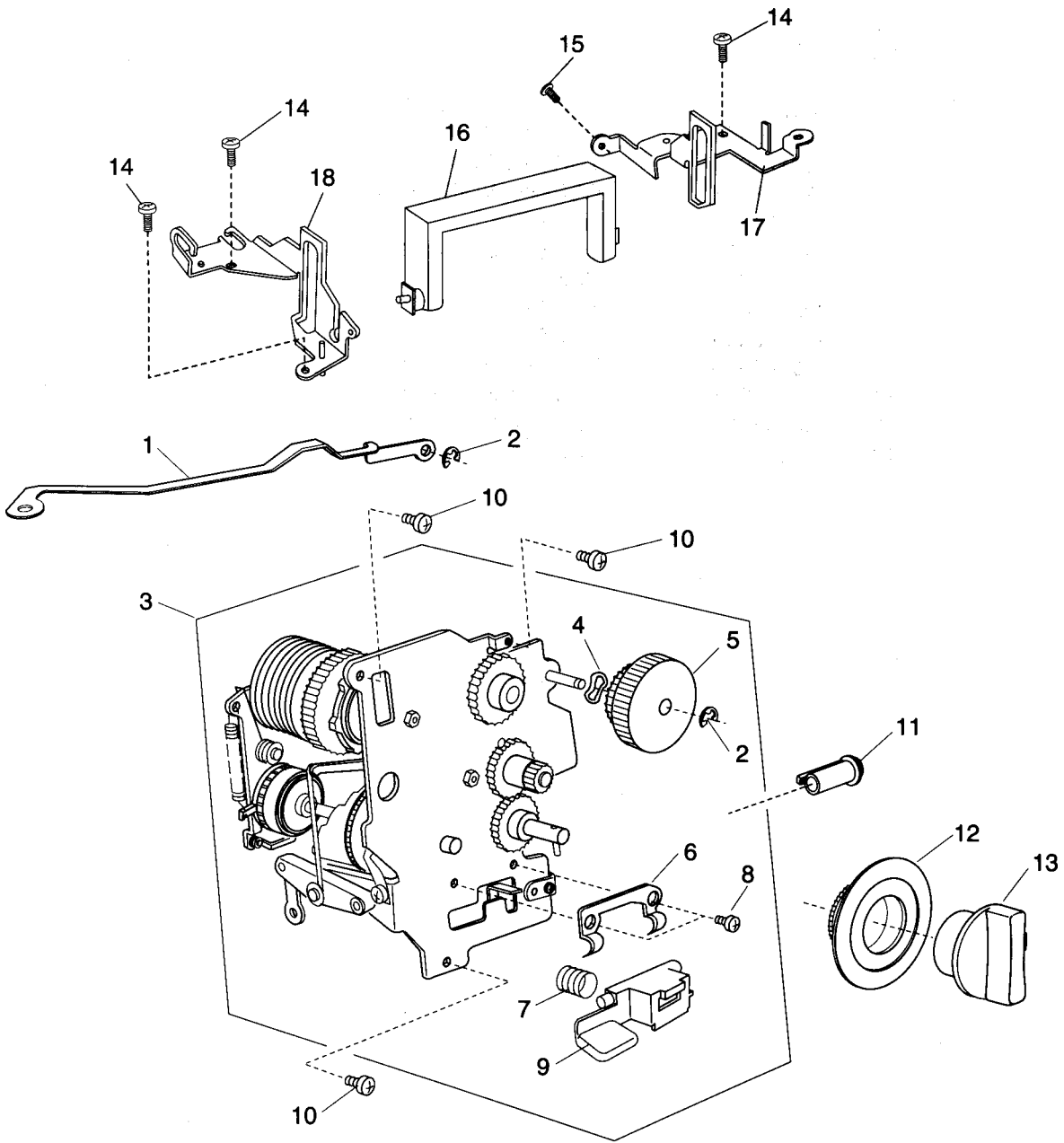
REF. NO.	PART NO.	Name
1	752615006	Front base plate unit
2	751121018	Front base plate
3	000002105	Snap ring
4	751022007	Pulling bar link (front)
5	751657007	Buttonhole lever complete Unit
6	751610008	Buttonhole lever unit
7	000023009	Spring pin
8	652203004	Setscrew
9	753029000	Buttonhole lever adjusting plate
10	753026100	Buttonhole lever supporter plate
11	753027008	Friction spring
12	000001207	Snap ring
13	000160102	Adjustable lock nut
14	000112109	Hexagonal socket screw
15	000101404	Setscrew
16	650100004	Needle bar supporter
17	000111201	Hexagonal socket screw
18	650607006	Needle bar crank rod unit
19	650039001	Needle bar crank rod
20	50040005	Felt holder spring
21	650041006	Oiled felt
22	650033005	Supporter shaft
23	650034006	Supporter shaft set plate
24	000101404	Setscrew
25	000111108	Hexagonal socket screw
26	650035007	Zigzag width crank
27	650036008	Spring
28	000001609	Snap ring
29	686085003	Spring
30	740618301	Lamp socket unit (UK)
	647510001	Lamp socket unit (USA)
	647513004	Lamp socket unit (Canada)
31	655681032	Lamp socket (Australia), (UK)
32	000103705	Setscrew
33	000009009	Light bulb 1 20V (USA), (Canada)
	000009803	Light bulb 240V (Australia), (UK)
34	652044005	Felt
35	822063003	Felt(2)
36	000081119	Setscrew
37	751630004	Needle bar unit
38	102408089	Needle
39	650038000	Needle bar supporter



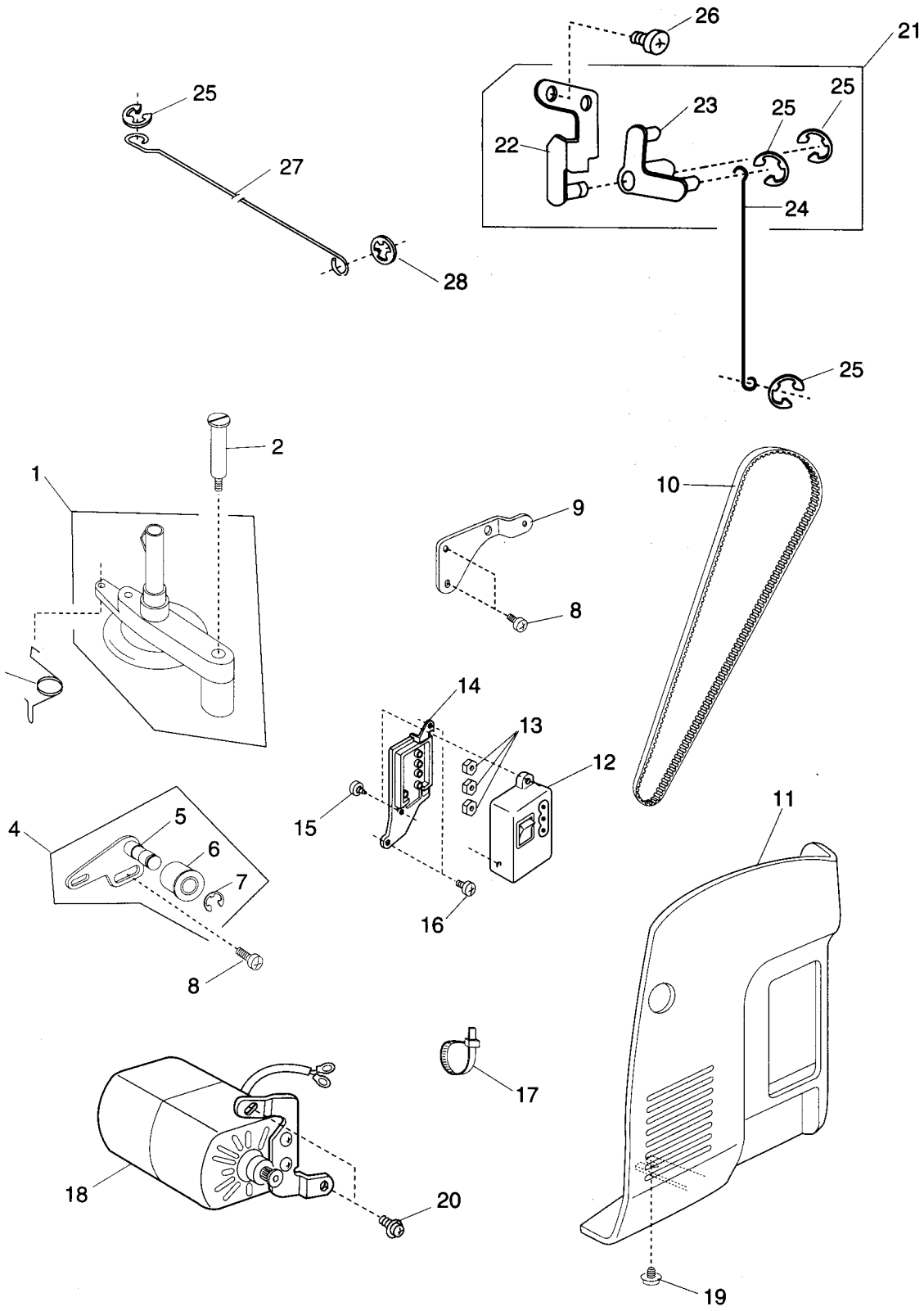
REF. NO.	PART NO.	Name
1	659503008	Upper shaft complete Unit
2	659020006	Upper shaft
3	102073003	Hexagonal socket screw
4	761052007	Hexagonal socket screw
5	000111304	Hexagonal socket screw
6	650060001	Worm
7	000111201	Hexagonal socket screw
8	000111304	Hexagonal socket screw
9	731312005	Felt
10	673062004	Upper shaft bushing
11	756017004	Upper shaft timing gear
12	000020501	Spring pin
13	650071005	Timing belt
14	756018005	Belt wheel
15	000004200	Snap ring
16	000036706	Spring pin
17	639097024	Hand wheel
18	639113016	Clutch spring
19	810220003	Setscrew
20	000071013	Washer
21	650070509	Clutch cap
22	652512009	Needle bar crank pin unit
23	820511108	Thread take-up lever unit
24	650062003	Thread take-up lever pin
25	000002806	Snap ring



REF. NO.	PART NO.	Name
1	659610009	Front cover unit
2	659016401	Front cover
3	753125007	Thread guard plate
4	735016307	Bobbin winder stopper
5	000071013	Washer
6	000103107	Setscrew
7	744014004	Nut
8	000115607	Setscrew
9	000103509	Setscrew
10	000161309	Setscrew
11	753126008	Arm thread guide
12	000093608	Setscrew
13	653006101	Cap



REF. NO.	PART NO.	Name
1	659029005	Zigzag width adjusting rod
2	000001609	Snap ring
3	659608004	Cam block unit
4	000116206	Waved washer
5	751052109	Stitch length control
6	654054004	Reverse button hinge
7	652136005	Reverse button spring
8	652203004	Setscrew
9	659028004	Reverse button
10	000081005	Setscrew
11	650162509	Stretch stitch control dial
12	659032104	Pattern indicator plate
13	659030009	Pattern selector dial
14	810220003	Setscrew
15	000103417	Setscrew
16	751100000	Carrying handle
17	659004004	Handle fixing plate (right)
18	751077029	Handle fixing plate (left)



REF. NO.	PART NO.	Name
1	652506000	Bobbin winder unit
2	652093009	Hinge screw
3	823119008	Bobbin winder frame spring
4	753619003	Idler unit
5	753119008	Idler base
6	625217100	Idler
7	000002806	Snap ring
8	000081005	Setscrew
9	659018001	Belt cover setting plate
10	653139012	Timing belt
11	659019105	Belt cover
12	739503102	Machine socket unit (Australia), (UK)
	739505207	Machine socket unit (USA), (Canada)
13	000060802	Hexagonal nut
14	659031000	Machine socket cover
15	000107802	Setscrew
16	000103509	Setscrew
17	000053008	Cord binder
18	752622006	Motor assembly (USA)
	752623007	Motor assembly (Canada)
	752671103	Motor assembly (Australia), (UK)
19	000115607	Setscrew
20	000115504	Setscrew
21	655614001	Drag rod link holder plate unit
22	655044004	Drag rod link holder plate
23	751114018	Drag rod link
24	751067015	Buttonhole drag rod (2)
25	000002105	Snap ring
26	000101404	Setscrew
27	655045005	Buttonhole drag rod
28	000014306	Snap ring