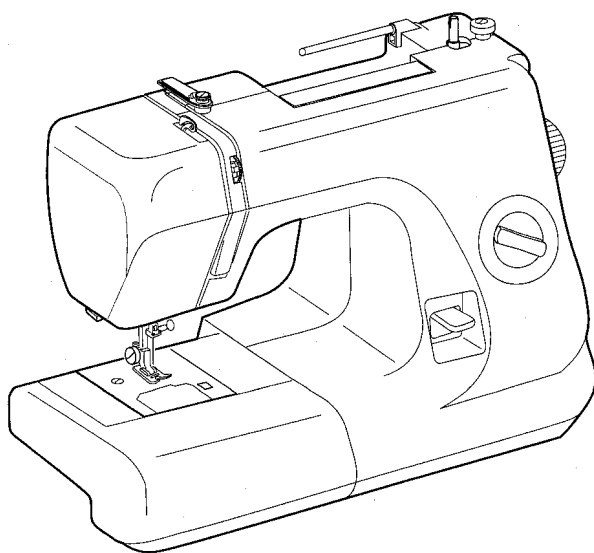
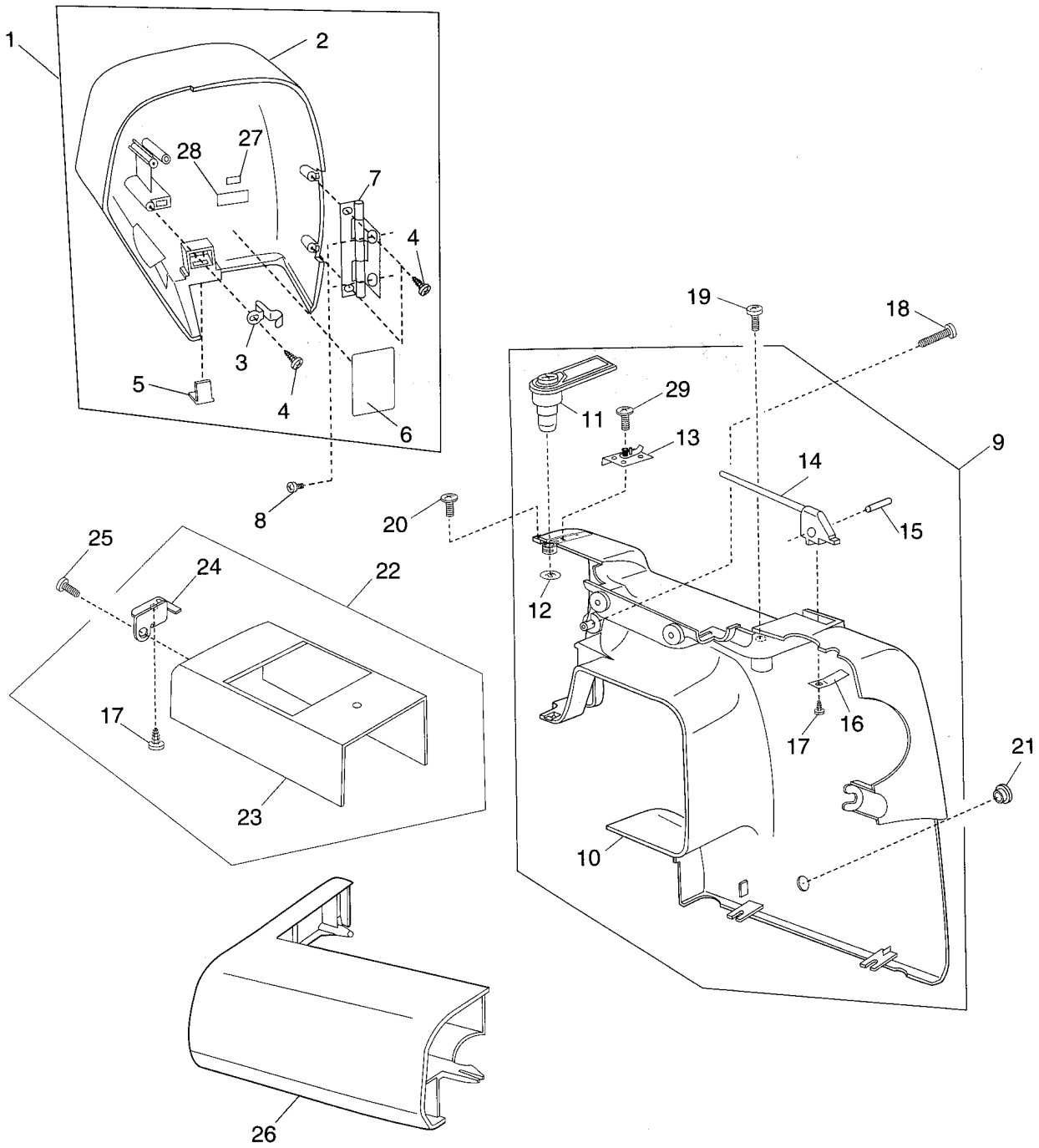


# SERVICING MANUAL & PARTS LIST



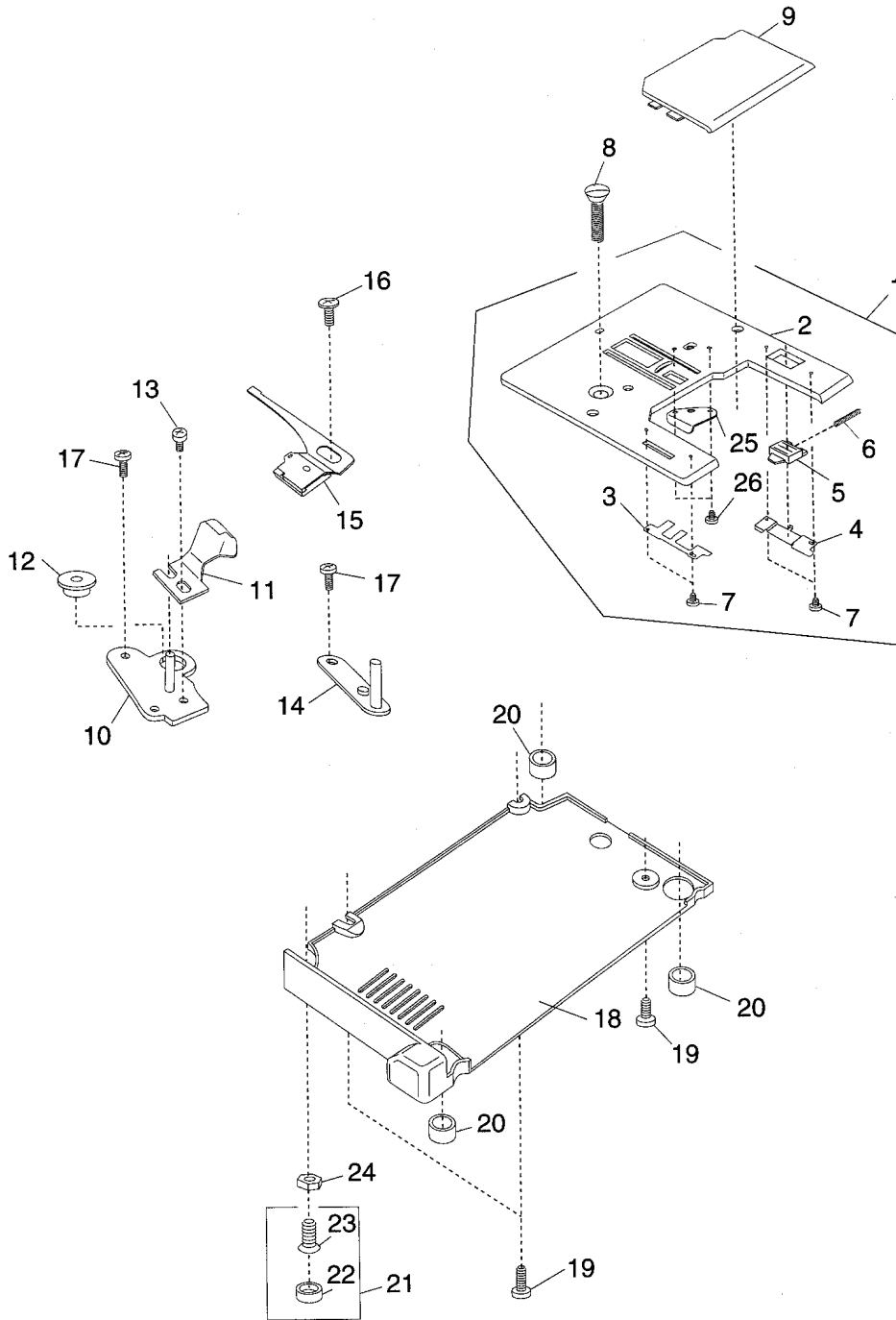
**MODEL 659**

# PARTS LIST



# **PARTS LIST**

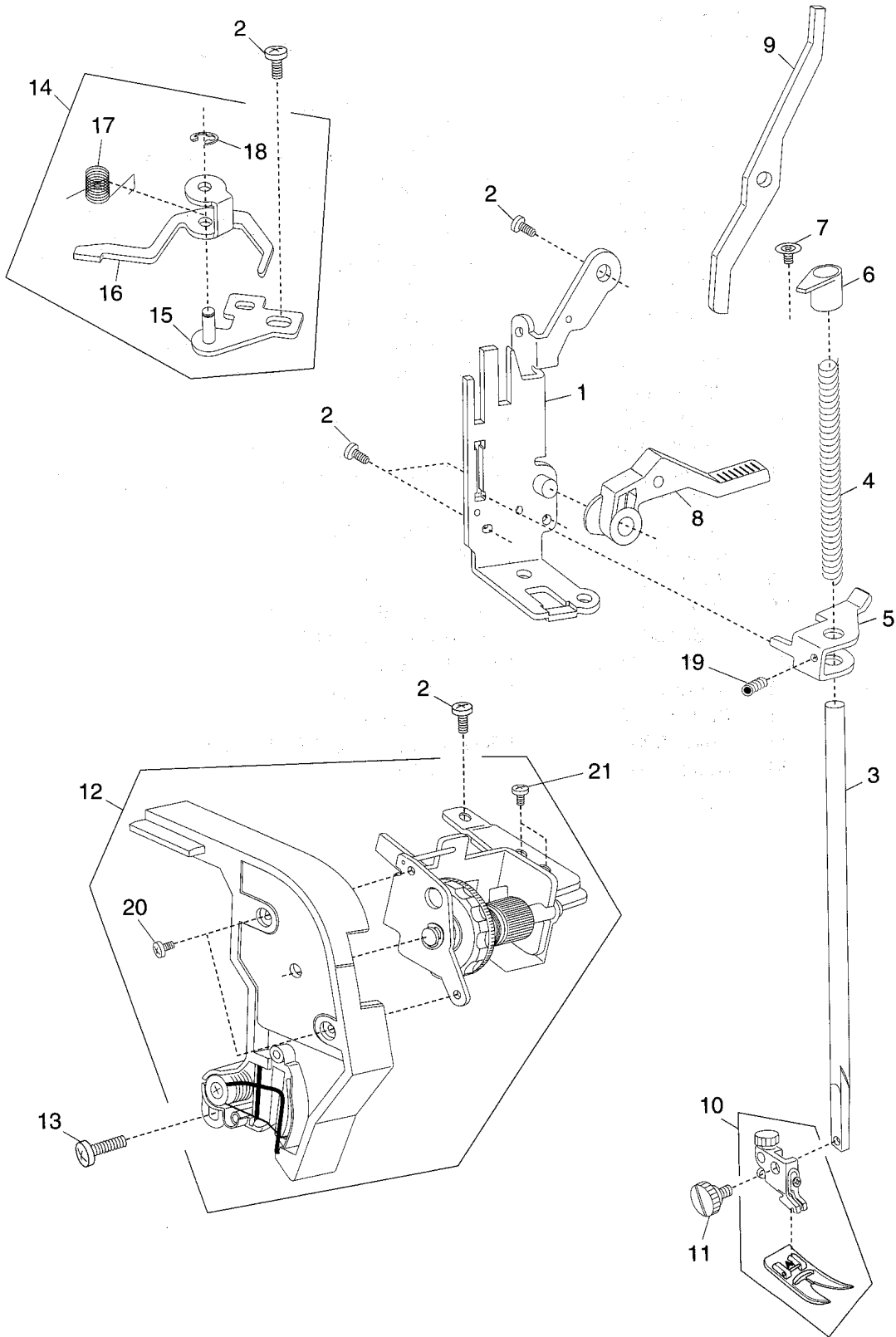
# PARTS LIST



# PARTS LIST

KEY PARTS NO.	PARTS NO.	DESCRIPTION
1	659603401	FACE COVER UNIT (JAI)
	659603504	FACE COVER UNIT (JCA)
	659603607	FACE COVER UNIT (JA)
	659603308	FACE COVER UNIT (JUK)
2	659005005	FACE COVER
3	751225002	FACE COVER SPRING
4	000076317	TAPPING SCREW 3X10B
5	840602006	THREAD CUTTER UNIT
6	724025006	FACE COVER STICKER (2)
7	366501102	FACE COVER HINGE UNIT
8	000081119	SET SCREW 4X6
9	659602008	BACK COVER UNIT
10	659002002	BACK COVER
11	650503702	THREAD GUIDE UNIT
12	000014409	SNAP RING CS-8
13	827503005	TOP COVER THREAD GUIDE
14	724206106	SPOOL PIN
15	822017002	PIN
16	724207004	SPOOL PIN SPRING
17	000107318	TAPPING SCREW 3X8B
18	000104119	SET SCREW 4X20
19	000103417	SET SCREW 4X8
20	810220003	SET SCREW
21	653006101	LID
22	659601007	FREE ARM COVER UNIT
23	659001001	FREE ARM COVER
24	756004008	FREE ARM COVER SET PLATE
25	000101404	SET SCREW 4X6
26	659003003	EXTENSION TABLE COMP. UNIT
27	100411104	LAMP STICKER (JAI), (JA)
28	830312016	CAUTION SEAL (JAI)
	100045000	CAUTION SEAL (JCA)
29	000162001	TAPPING SCREW 2.6X5S

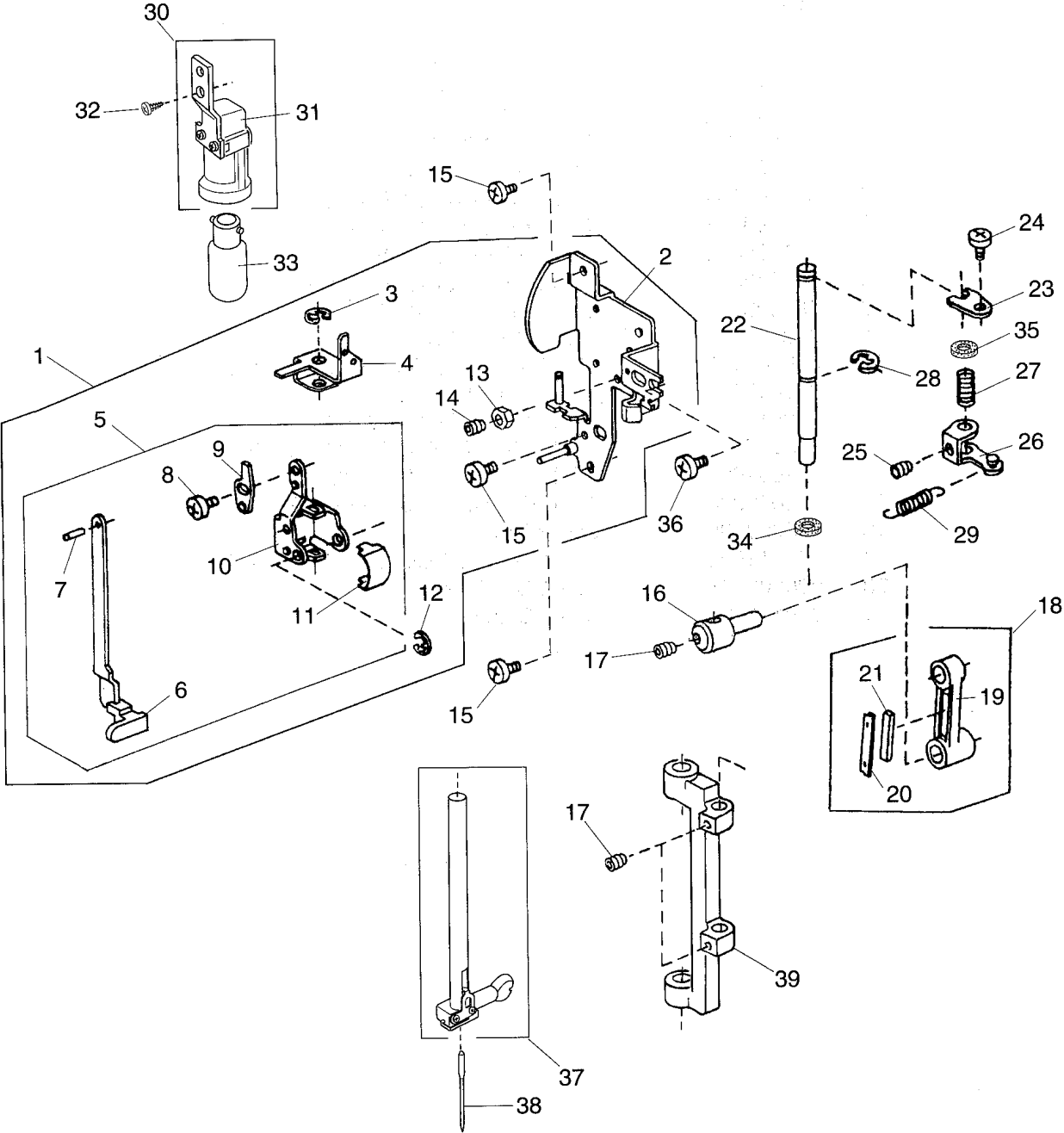
# PARTS LIST



# PARTS LIST

KEY NO.	PARTS NO.	DESCRIPTION
1	751603101	NEEDLE PLATE UNIT
2	653179209	NEEDLE PLATE
3	752005007	HOOK COVER PLATE HOLDER (LEFT)
4	825015010	HOOK COVER PLATE HOLDER (RIGHT)
5	825016000	HOOK COVER PLATE RELEASE BUTTON
6	825017001	HOOK COVER PLATE HOLDER SPRING
7	820374004	SET SCREW 2X2.3
8	820390109	NEEDLE PLATE SET SCREW
9	750036012	HOOK COVER PLATE
10	751008007	NEEDLE PLATE ADJUSTING PLATE (LEFT)
11	822011109	BOBBIN HOLDER STOPPER
12	822314002	NUT
13	000103808	SET SCREW 3X5
14	751009008	SHUTTLE HOOK STOPPER UNIT
15	751502006	NEEDLE PLATE ADJUSTING PLATE (RIGHT)
16	810220003	SET SCREW
17	000066705	SET SCREW 3X8
18	655002103	BASE LID
19	000103509	SET SCREW 4X10
20	739064003	BED RUBBER CUSHION
21	735616004	RUBBER BASE UNIT
22	735002001	RUBBER BASE
23	000097303	SET SCREW 5X20
24	000061412	HEXAGONAL NUT 5-3-8
25	654078004	FREE ARM COVER SET PLATE
26	820373003	SET SCREW 2x3

# PARTS LIST

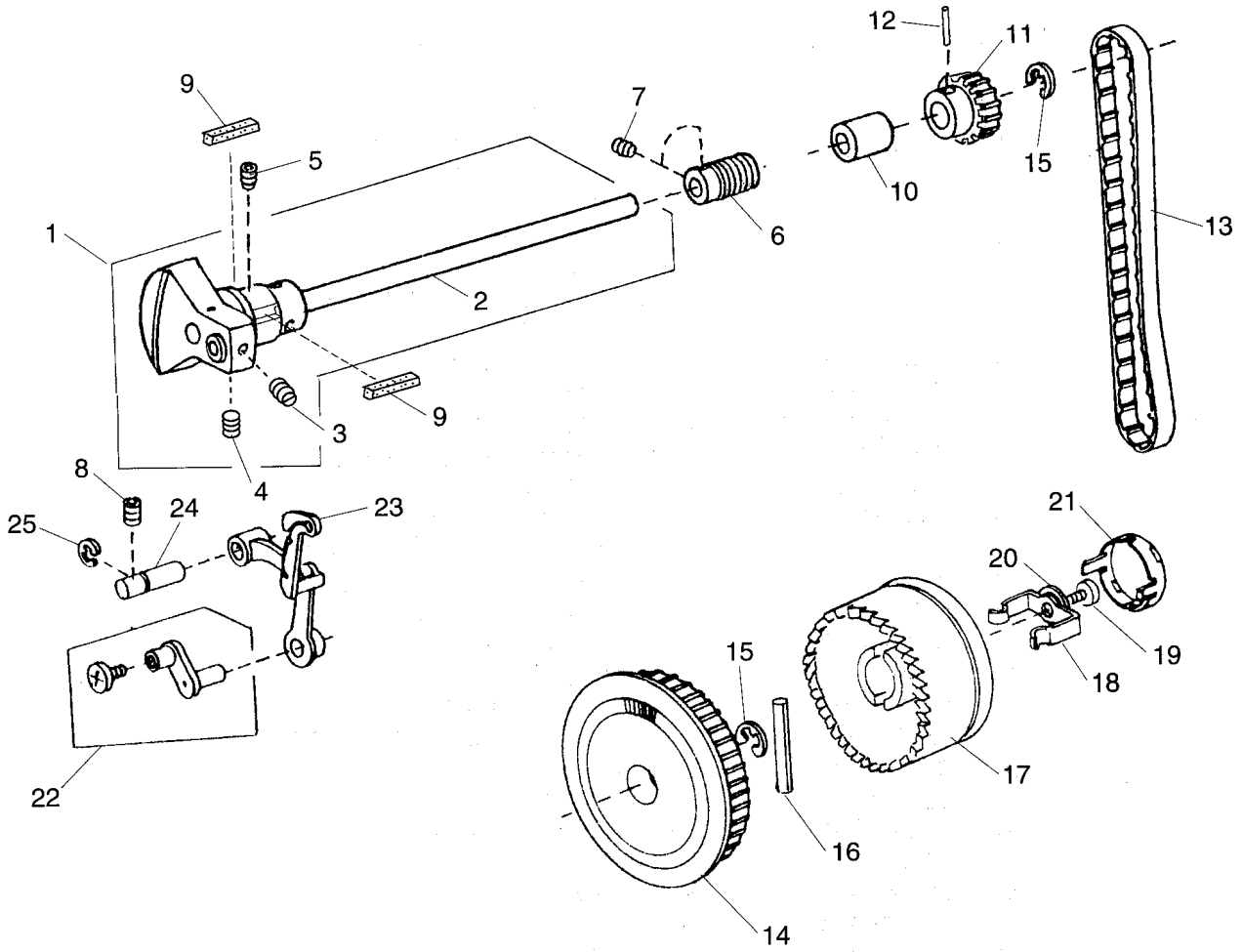




# PARTS LIST

KEY NO.	PARTS NO.	DESCRIPTION
1	827020025	PRESSER BASE PLATE
2	000081005	SET SCREW 4X8
3	685312009	PRESSER BAR
4	651014003	PRESSER BAR SPRING
5	735028003	PRESSER BAR SUPPORTER
6	652104004	PRESSER BAR BUSHING
7	000193001	THINHEAD TP SCREW 4X6
8	735029004	PRESSER FOOT LIFTER
9	751142004	TENSION RELEASE LEVER
10	685503010	ZIGZAG FOOT UNIT
11	753199002	THUMB SCREW
12	659501109	THREAD TENSION REGULATOR UNIT
13	000093309	SET SCREW 4X12
14	752616007	TENSION RELEASE ARM UNIT
15	752055002	TENSION RELEASE ARM PLATE
16	752032003	TENSION RELEASE ARM
17	752056003	TENSION RELEASE SPRING
18	000002105	SNAP RING E-3
19	000111500	HEXAGONAL SOCKET SCREW 4X8
20	000103808	SET SCREW 3X5
21	000101105	SET SCREW 3X4

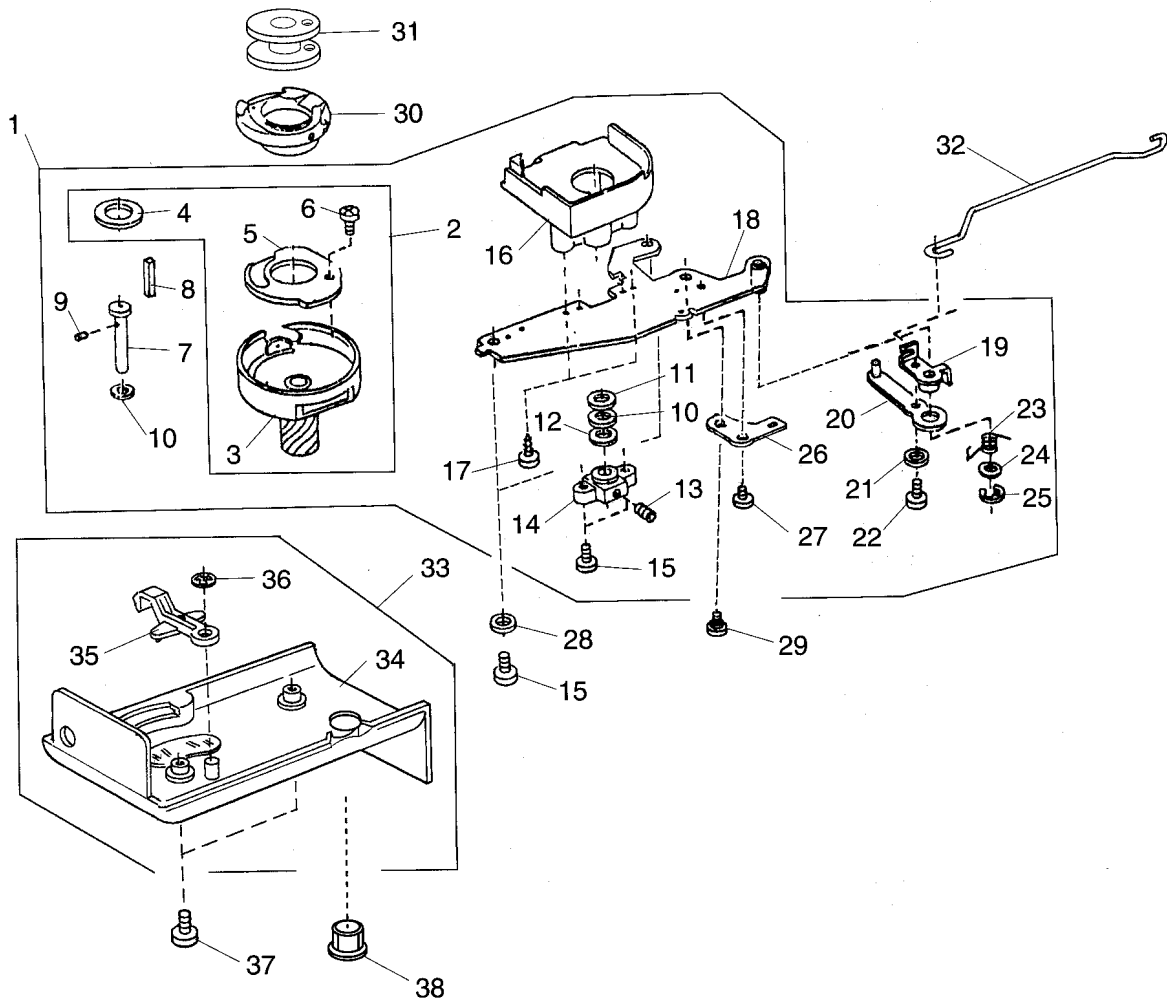
# PARTS LIST



# PARTS LIST

KEY NO.	PARTS NO.	DESCRIPTION
1	752615006	FRONT BASE PLATE UNIT
2	751121018	FRONT BASE PLATE
3	000002105	SNAP RING E-3
4	751022007	PULLING BAR LINK (FRONT)
5	751657007	BH LEVER COMP. UNIT
6	751610008	BH LEVER UNIT
7	000023009	SPRING PIN 1.6X4
8	652203004	SET SCREW 3X3.5
9	753029000	BH LEVER ADJUSTING PLATE
10	753026100	BH LEVER SUPPORTER PLATE
11	753027008	FRICTION SPRING
12	000001207	SNAP RING E-2.5
13	000160102	ADJUSTABLE LOCK NUT 4
14	000112109	HEXAGONAL SOCKET SCREW 3X3.5
15	000101404	SET SCREW 4X6
16	650100004	NEEDLE BAR SUPPORTER
17	000111201	HEXAGONAL SOCKET SCREW 4X4
18	650607006	NEEDLE BAR CRANK ROD UNIT
19	650039001	NEEDLE BAR CRANK ROD
20	650040005	FELT HOLDER SPRING
21	650041006	OILED FELT
22	650033005	SUPPORTER SHAFT
23	650034006	SUPPORTER SHAFT SET PLATE
24	000101404	SET SCREW 4X6
25	000111108	HEXAGONAL SOCKET SCREW 4X6
26	650035007	ZIGZAG WIDTH CRANK
27	650036008	SPRING
28	000001609	SNAP RING E-5
29	686085003	SPRING
30	740618301	LAMP SOCKET UNIT (JUK)
	647510001	LAMP SOCKET UNIT (JAI)
	647513004	LAMP SOCKET UNIT (JCA)
31	655681032	LAMP SOCKET (JA), (JUK)
32	000103705	SET SCREW 4X5
33	000009009	LIGHT BULB 120V (JAI), (JCA)
	000009803	LIGHT BULB 240V (JA), (JUK)
34	652044005	FELT
35	822063003	FELT(2)
36	000081119	SET SCREW 4X6
37	751630004	NEEDLE BAR UNIT
38	102408089	NEEDLE HAI-14
39	650038000	NEEDLE BAR SUPPORTER

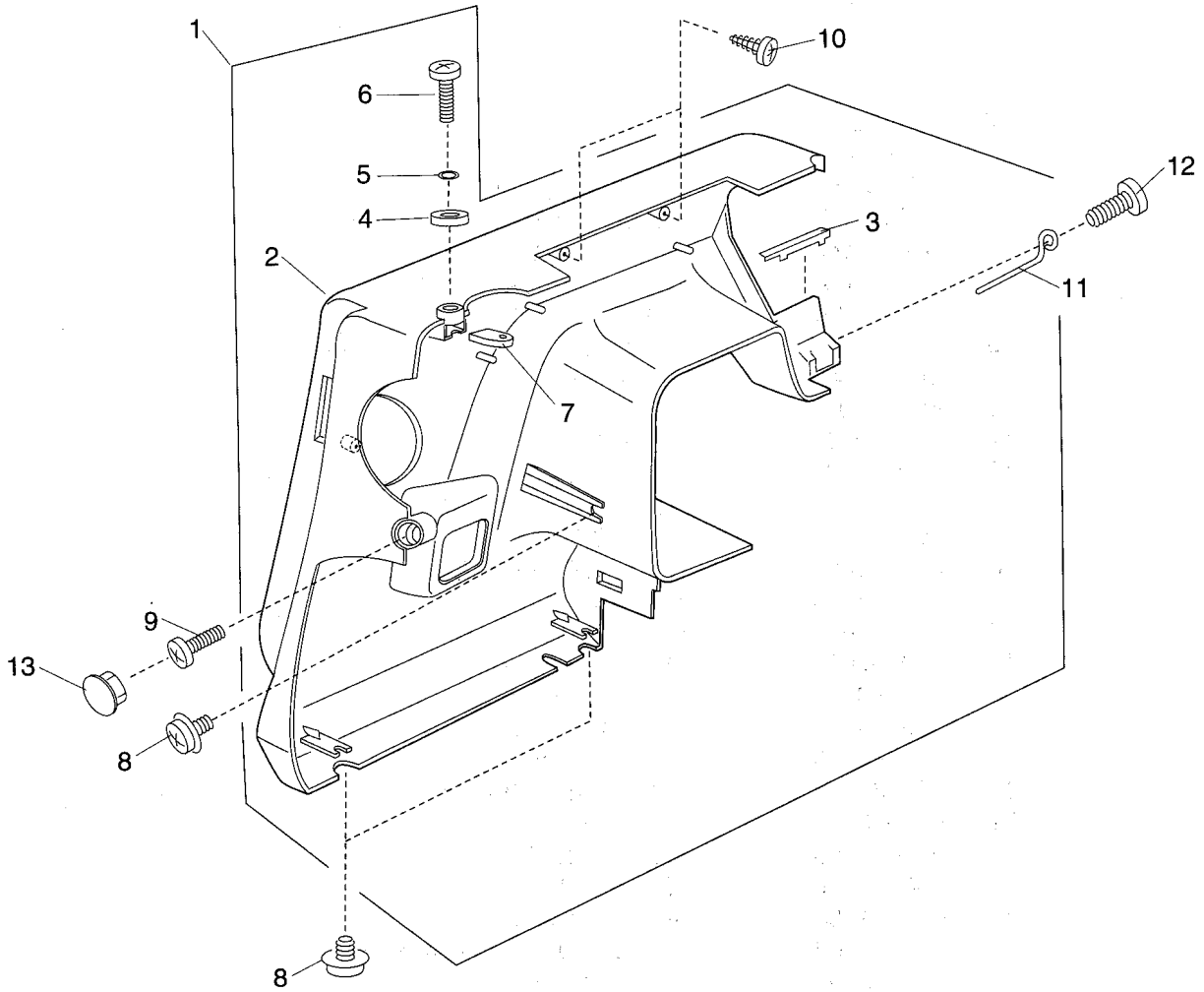
# PARTS LIST



# PARTS LIST

KEY NO.	PARTS NO.	DESCRIPTION
1	659503008	UPPER SHAFT COMP. UNIT
2	659020006	UPPER SHAFT
3	102073003	HEXAGONAL SOCKET SCREW
4	761052007	HEXAGONAL SOCKET SCREW
5	000111304	HEXAGONAL SOCKET SCREW 5X5
6	650060001	WORM
7	000111201	HEXAGONAL SOCKET SCREW 4X4
8	000111304	HEXAGONAL SOCKET SCREW 5x5
9	731312005	FELT
10	673062004	UPPER SHAFT BUSHING
11	756017004	UPPER SHAFT TIMING GEAR
12	000020501	SPRING PIN 3X22
13	650071005	TIMING BELT
14	756018005	BELT WHEEL
15	000004200	SNAP RING E-8
16	000036706	SPRING PIN 4X40
17	639097024	HANDWHEEL
18	639113016	CLUTCH SPRING
19	810220003	SET SCREW
20	000071013	WASHER
21	650070509	CLUTCH CAP
22	652512009	NEEDLE BAR CRANK PIN UNIT
23	820511108	THREAD TAKE-UP LEVER UNIT
24	650062003	THREAD TAKE-UP LEVER PIN
25	000002806	SNAP RING E-6

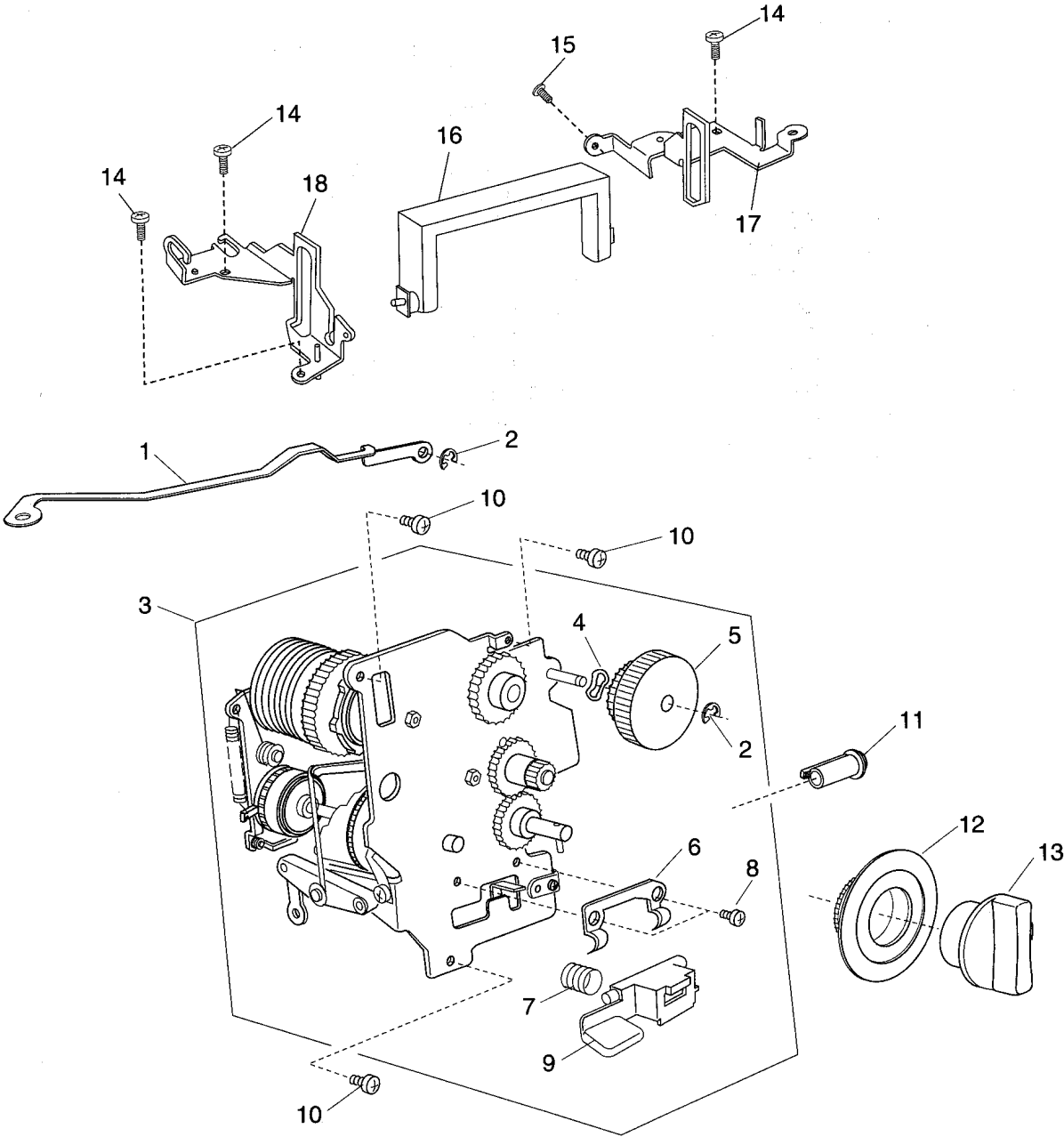
# PARTS LIST



# PARTS LIST

KEY NO.	PARTS NO.	DESCRIPTION
1	650614110	HOOK UNIT
2	652623004	SHUTTLE BODY UNIT
3	650950100	HOOK RACE BODY UNIT
4	627190010	HOOK RACE MAGNET
5	627191000	HOOK RACE BOTTOM PLATE
6	820374004	SET SCREW 2X2.3
7	820123006	HOOK DRIVER SHAFT
8	820124007	HOOK SHAFT OILED FELT (1)
9	820125008	HOOK SHAFT OILED FELT (2)
10	000038409	WASHER
11	627192001	WASHER
12	625102008	PLAIN WASHER
13	000111304	HEXAGONAL SOCKET SCREW 5X5
14	650094004	HOOK SHAFT BASE
15	000081005	SET SCREW 4X8
16	827040009	HOOK GEAR COVER
17	000107204	TAPPING SCREW 3X12B
18	650096006	HOOK BASE PLATE
19	650097007	FEED SHIFT ARM
20	650098008	FEED SHIFT PLATE
21	656159006	PLAIN WASHER
22	650099009	SET SCREW
23	627569106	FEED SHIFT SPRING
24	000070218	WASHER
25	000002105	SNAP RING E-3
26	650171006	SET PLATE
27	000101404	SET SCREW 4X6
28	000070506	POLISHED PLAIN WASHER
29	650172007	HINGE SCREW
30	627569106	BOBBIN HOLDER UNIT W/MARKING
31	102261000	BOBBIN
32	655024008	FEED TRANSFORMING ROD
33	655601005	BED COVER UNIT
34	655003001	BED COVER
35	753005000	DROP FEED LEVER
36	000013903	SNAP RING CS-5
37	000101703	SET SCREW 4X12
38	653006101	CAP

# PARTS LIST



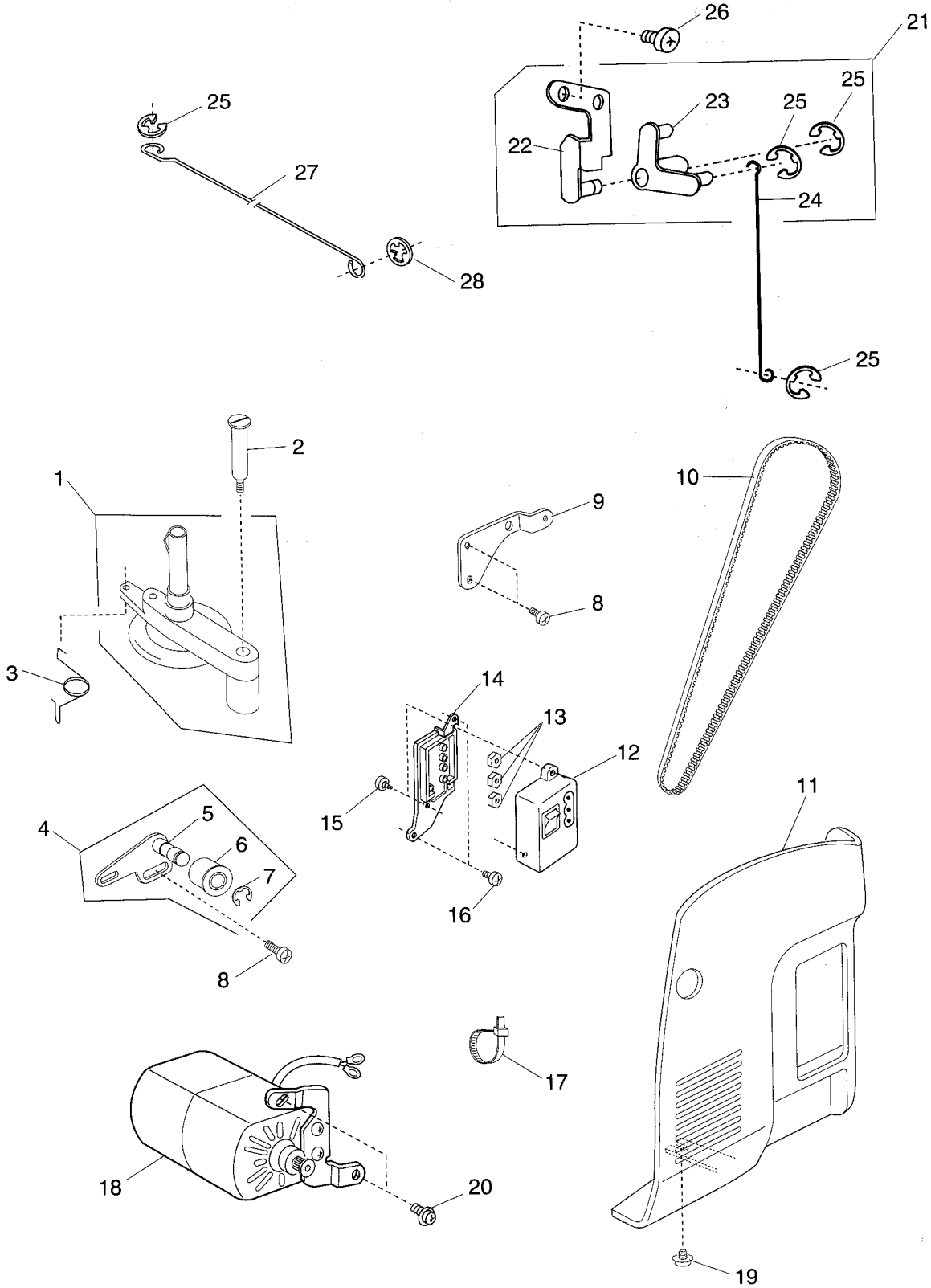


# PARTS LIST

---

KEY NO.	PARTS NO.	DESCRIPTION
1	659610009	FRONT COVER UNIT
2	659016401	FRONT COVER
3	753125007	THREAD GUARD PLATE
4	735016307	BOBBIN WINDER STOPPER
5	000071013	WASHER
6	000103107	SET SCREW 4X14
7	744014004	NUT
8	000115607	TP SCREW 4X8
9	000103509	SET SCREW 4X10
10	000161309	TAPPING SCREW 3X12 (B)
11	753126008	ARM THREAD GUIDE
12	000093608	SET SCREW 3.5X30
13	653006101	CAP

# PARTS LIST



# PARTS LIST

KEY NO.	PARTS NO.	DESCRIPTION
1	659029005	ZZ WIDTH ADJUSTING ROD
2	000001609	SNAP RING E-5
3	659608004	CAM BLOCK UNIT
4	000116206	WAVED WASHER
5	751052109	STITCH LENGTH CONTROL
6	654054004	REVERSE BUTTON HINGE
7	652136005	REVERSE BUTTON SPRING
8	652203004	SET SCREW 3X3.5
9	659028004	REVERSE BUTTON
10	000081005	SET SCREW 4X8
11	650162509	STRETCH STITCH CONTROL DIAL
12	659032104	PATTERN INDICATOR PLATE
13	659030009	PATTERN SELECTOR DIAL
14	810220003	SET SCREW
15	000103417	SET SCREW 4X6
16	751100000	CARRYING HANDLE
17	659004004	HANDLE FIXING PLATE (R)
18	751077029	HANDLE FIXING PLATE (L)

