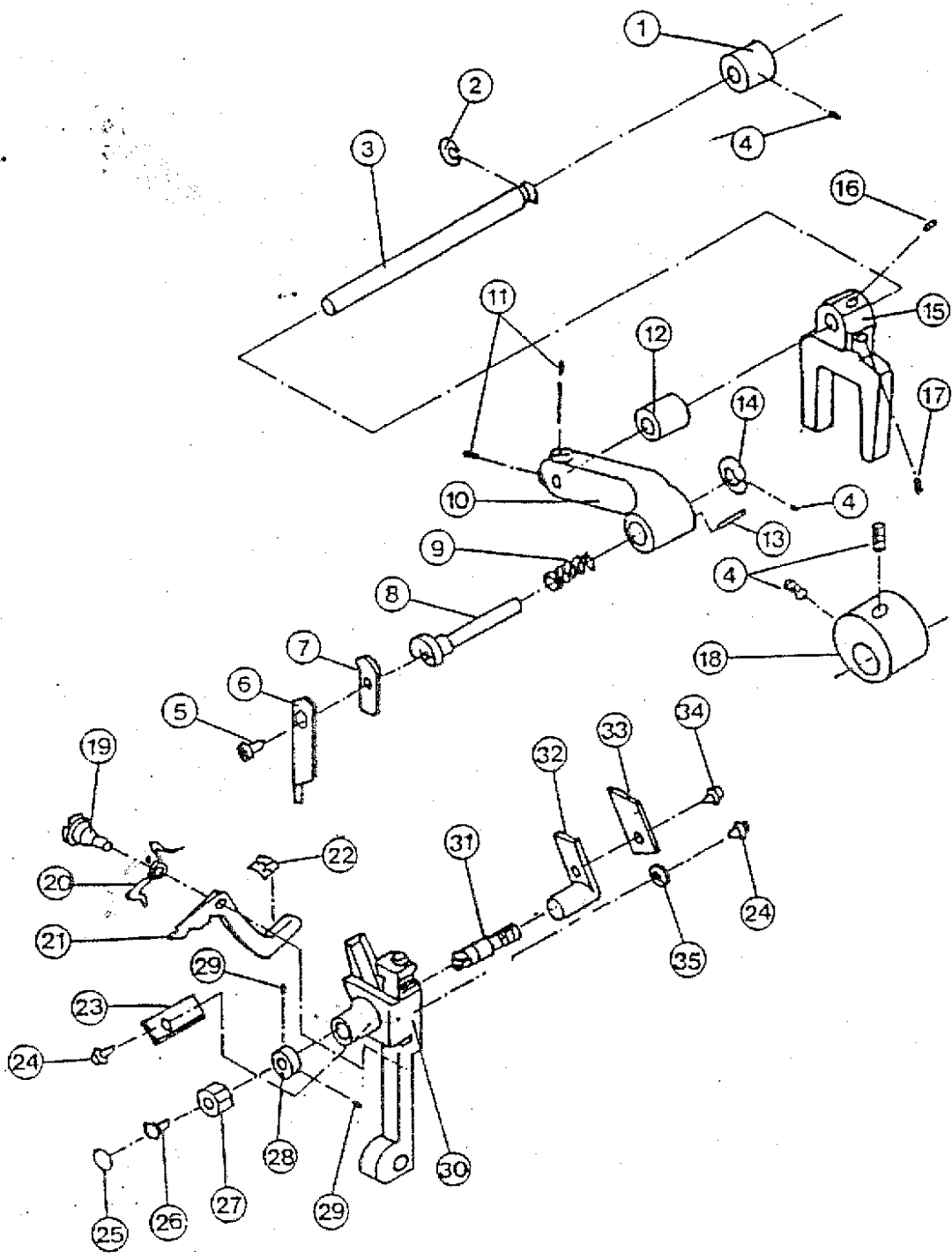


PARTS LIST

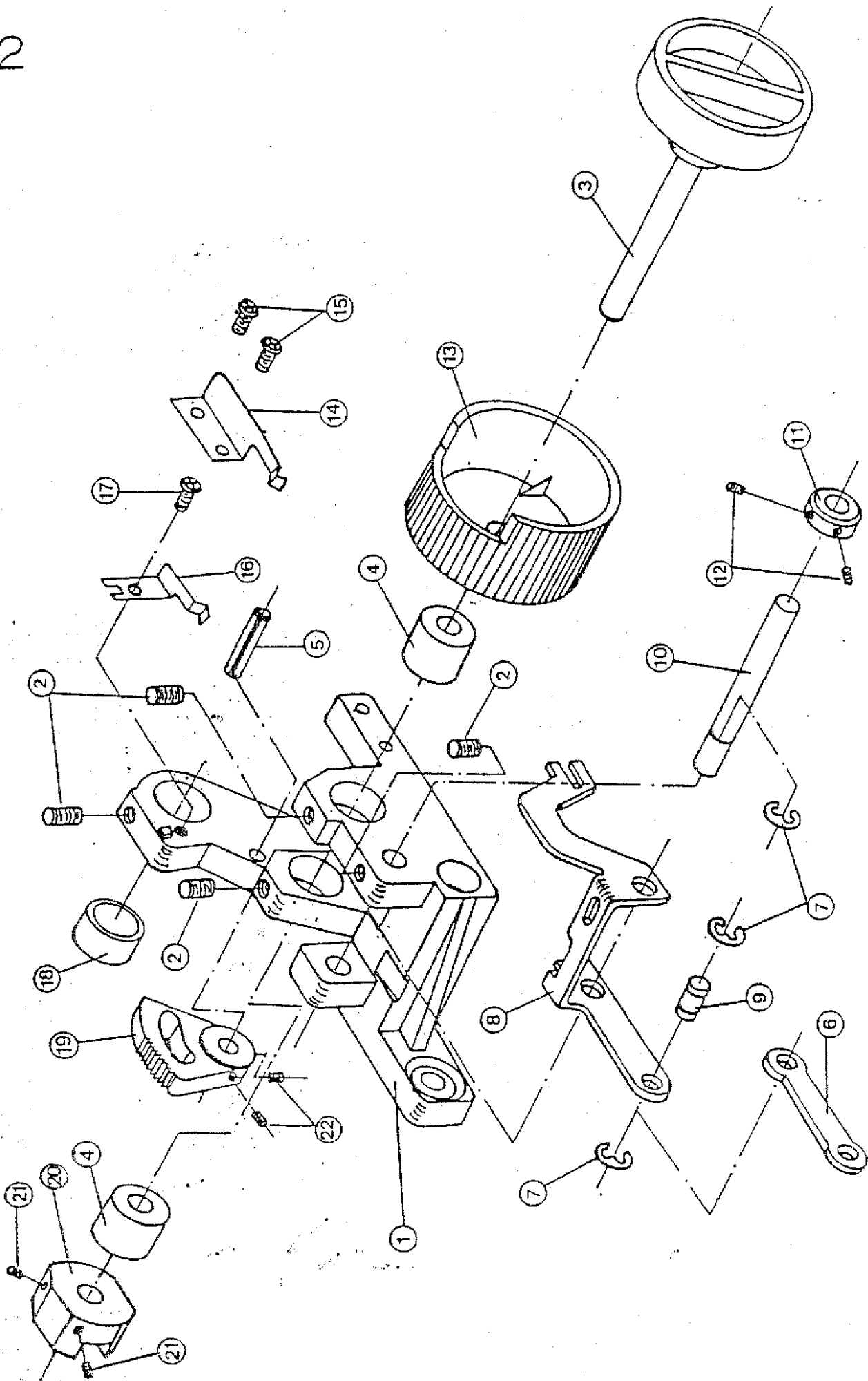
MODEL: NECCHI 670-150

SUNBEEN PRECISION MACHINE INC.

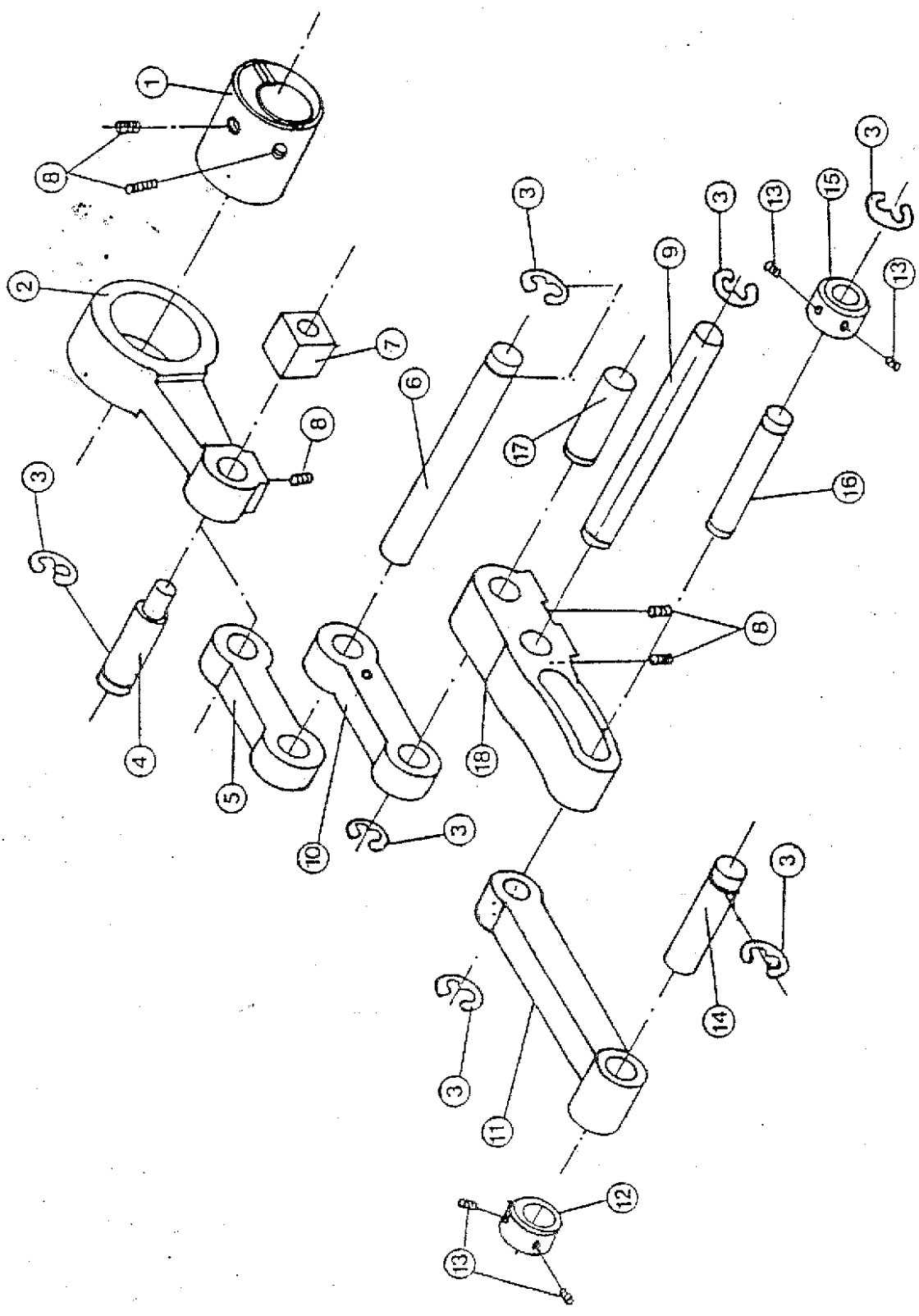


1

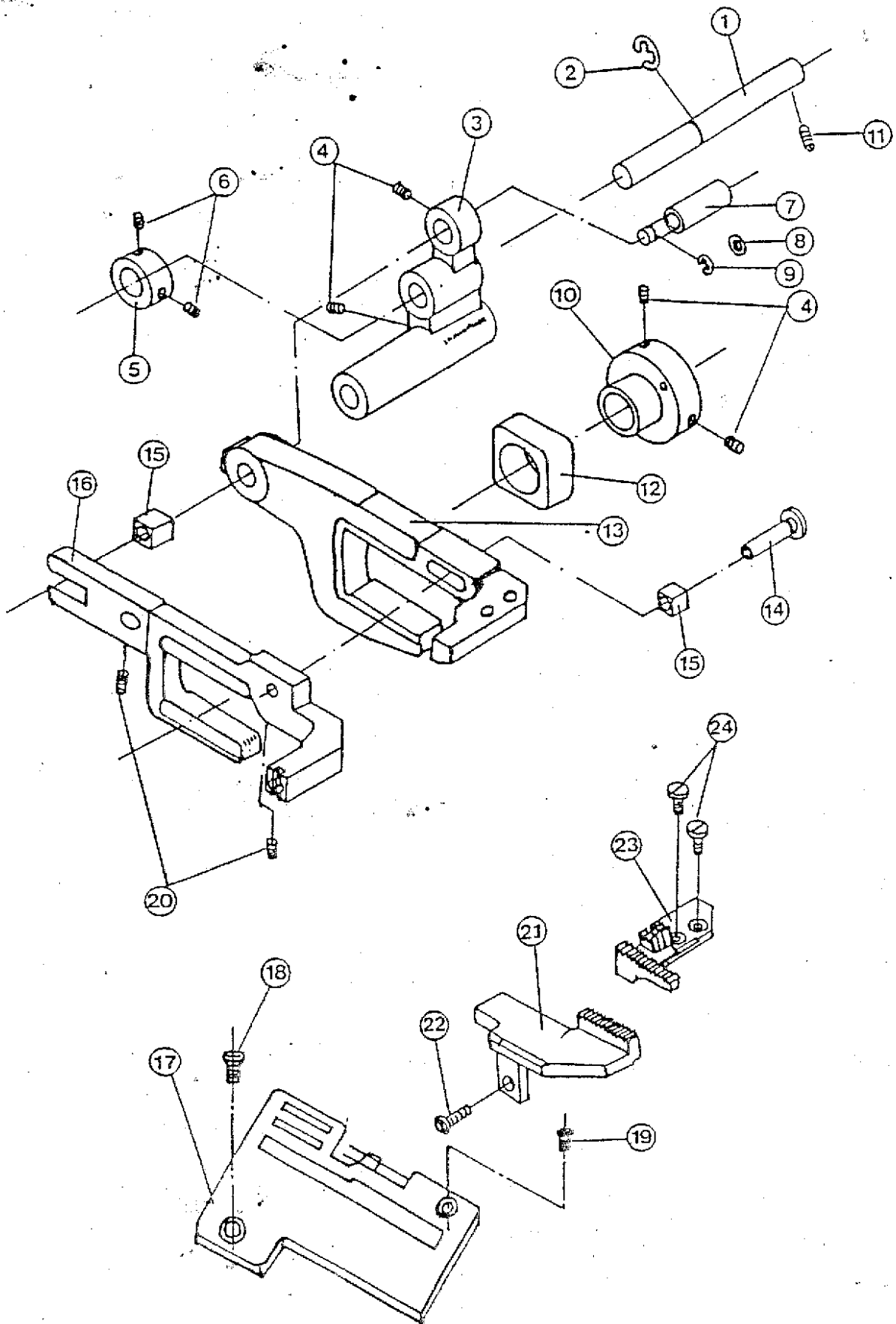
ref no.	sunbeen part no.	name of parts
01	750023005	UPPER KNIFE SHAFT BUSHING
02	000000402	SNAP RING 6D
03	750022004	UPPER KNIFE SHAFT
04	000023021	SCREW
05	000017022	SCREW
06	750030005	UPPER KNIFE
07	750029001	UPPER KNIFE PLATE
08	750028000	UPPER KNIFE BASE
09	754001009	UPPER KNIFE SPRING
10	750026008	UPPER KNIFE BASE BODY
11	000051017	SCREW
12	750024006	UPPER KNIFE SHAFT BUSHING
13	750027009	PIN
14	750031006	COLLAR
15	750025007	FORK LOD
16	000018045	SCREW
17	353015001	SET SCREW
18	750021003	UPPER KNIFE CAM
19	750097000	SCREW
20	750096009	SPRING
21	750095008	FREE ARM HOOK
22	750098001	STICKER
23	750088008	STOP PLATE
24	000016009	SCREW
25	750094007	PANEL
26	000019013	SCREW
27	750093017	DIAL
28	750092005	COLLAR
29	255004000	SCREW
30	750086109	LOWER KNIFE BASE BODY
31	750089009	LOWER KNIFE SHAFT
32	750090003	LOWER KNIFE BASE
33	750091004	LOWER KNIFE
34	000016009	SCREW
35	301245001	WASHER



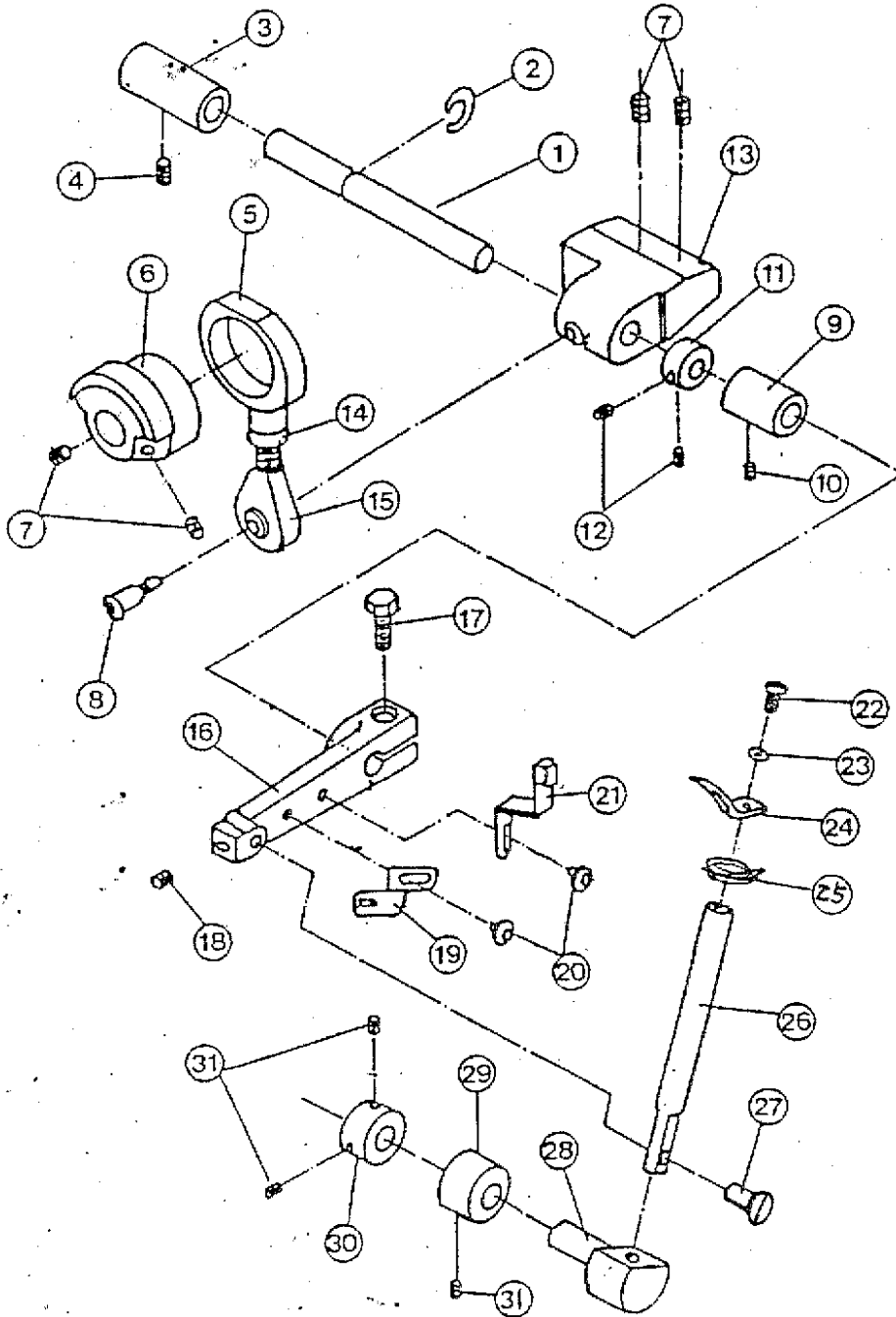
ref no.	sunbeen part no.	name of parts
01	750184005	SUPPORTING ARM
02	301046000	SET SCREW
03	750168014	STITCH LENGTH DIAL
04	750185006	BUSHING
05	000003508	SPRING PIN 4*20
06	750202000	CONNECTING ROD
07	000000206	SNAP RING 4D
08	750183004	D,F ADJUSTING ROD
09	750201009	CONNECTING PIN
10	750182003	D,F ADJUSTING PIN
11	750092005	COLLAR
12	255004000	SCREW
13	750206015	D.F. ADJUSTING DIAL
14	750205003	STOP PLATE
15	380041000	SET SCREW
16	750190004	STOP SPRING PLATE
17	380041000	SET SCREW
18	750006002	MAIN SHAFT BUSHING
19	750189000	STOP CAM
20	750169004	SLIDE ROD BASE
21	000018012	SCREW
22	255004000	SCREW



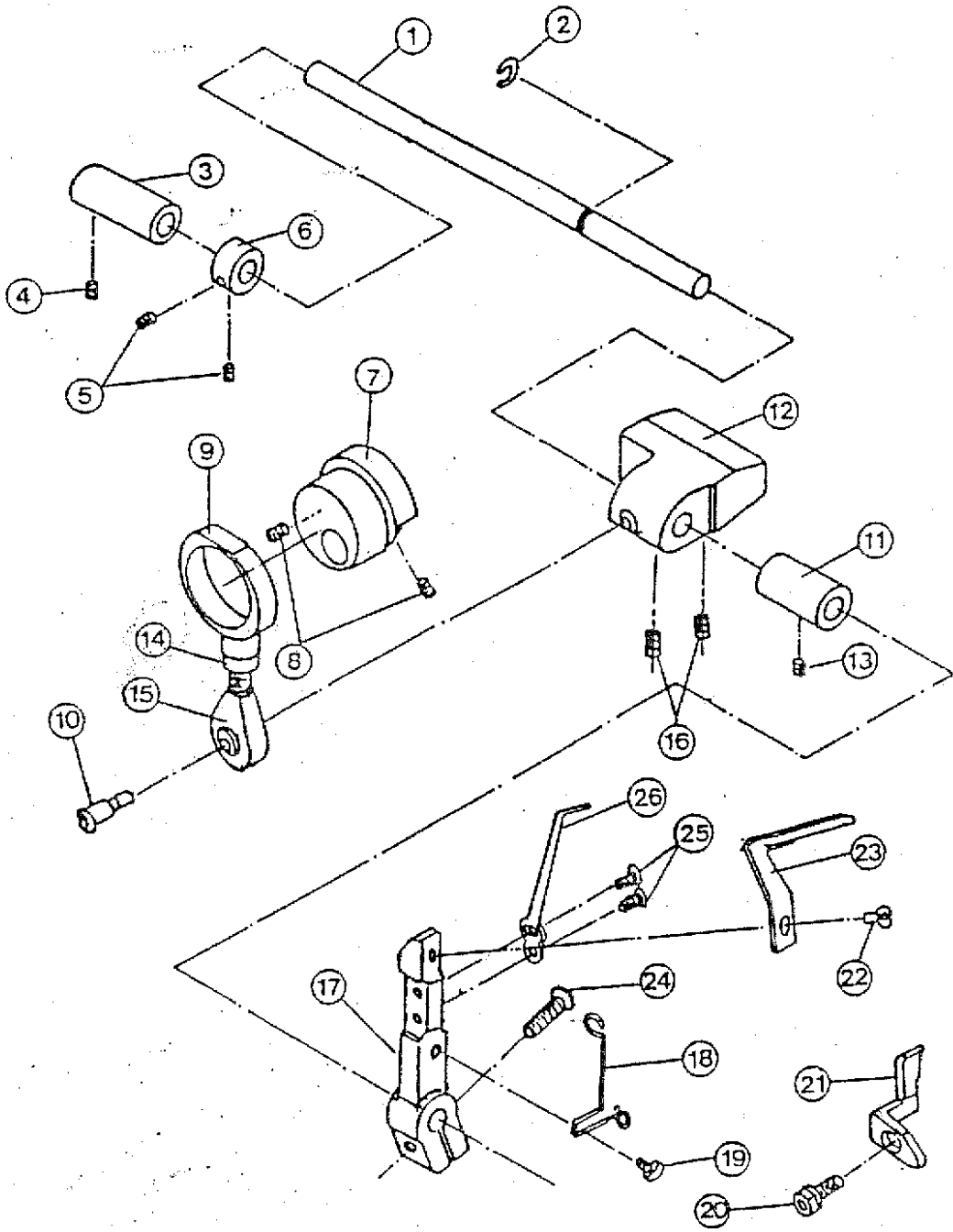
<u>ref</u> <u>no.</u>	<u>sunbeen</u> <u>part no.</u>	<u>name of parts</u>
01	750164009	BEVEL CAM
02	750165000	STITCH LENGTH ROD
03	000000206	SNAP RING 4D
04	750186007	SLIDE ROD SHAFT
05	750197001	CONNECTING ROD
06	750172000	SHAFT
07	750072009	SLIDE ROD
08	301046000	SET SCREW
09	750175003	SHAFT A
10	750176004	CONNECTING ROD
11	750181002	D.F. CONNECTING ROD
12	750092005	COLLAR
13	255004000	SCREW
14	750179007	PIN
15	750180001	COLLAR
16	750178006	PIN
17	750198002	PIN B
18	750177005	D.F.FEED SHAFT



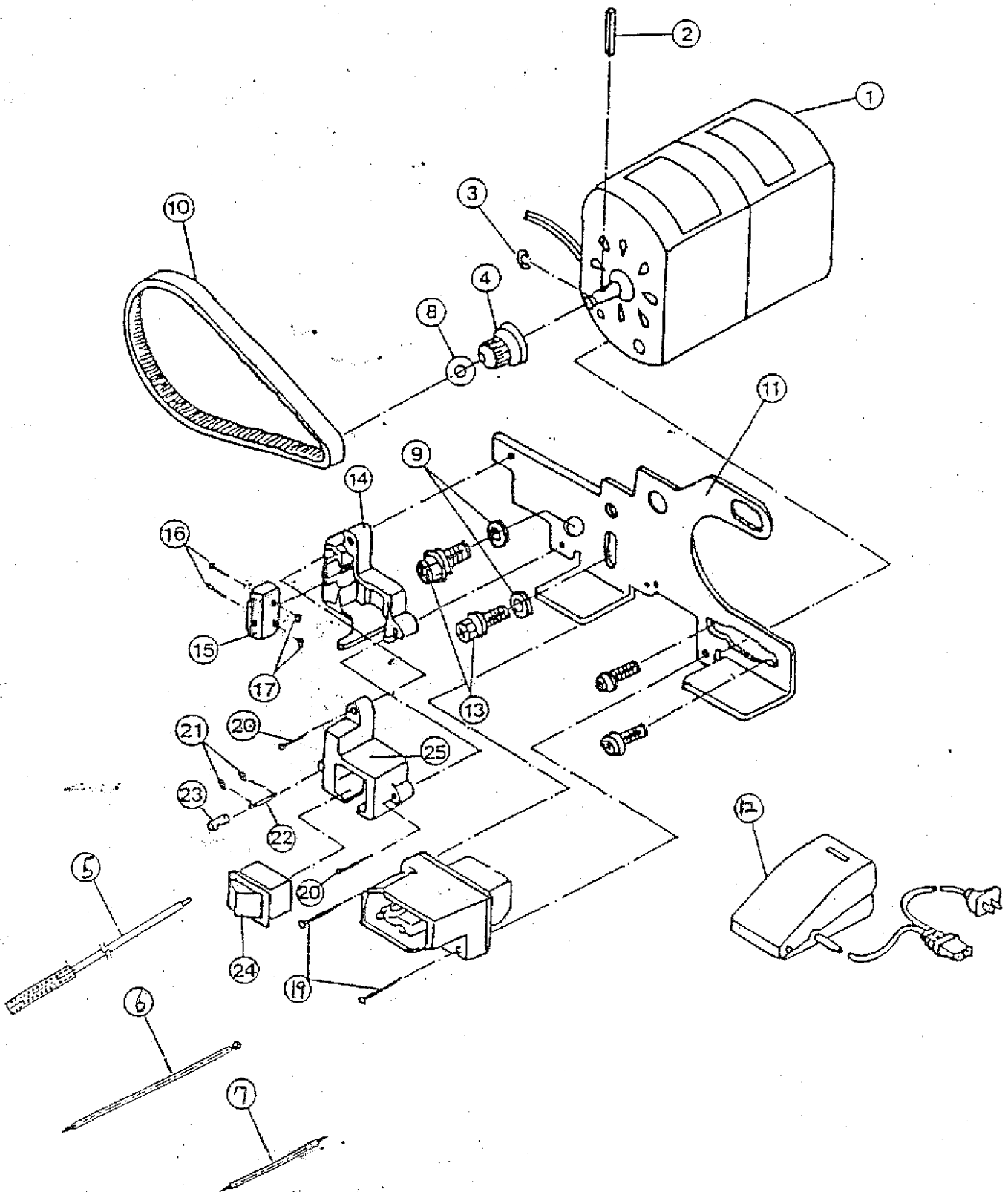
ref no.	sunbeen part no.	name of parts
01	750173001	SUPPORTING SHAFT
02	000000309	SNAP RING 5D
03	750170008	STITCH LENGTH ROD
04	301046000	SET SCREW
05	750032007	COLLAR
06	301046000	SET SCREW
07	750171009	(UP) SHAFT
08	000014007	WASHER
09	000000103	SNAP RING 3D
10	750046004	UP-DOWN CAM
11	000023021	SCREW
12	750047005	UP-DOWN SLIDE ROD
13	750163008	MAIN FEED BASE
14	750200008	LIMITED PIN
15	750196000	SLIDE ROD
16	750162007	SUB FEED BASE
17	754005003	NEEDLE PLATE
18	301261003	SET SCREW
19	000016065	SCREW
20	000018012	SCREW
21	750051002	FEED DOG(F)
22	000019057	SCREW
23	750049007	FEED DOG (R)
24	000017000	SCREW



<u>ref no.</u>	<u>sunbeen part no.</u>	<u>name of parts</u>
01	750010009	UPPER LOOPER SHAFT
02	000000309	SNAP RING 5D
03	750012001	LOOPER SHAFT BUSHING
04	000023021	SCREW
05	750035000	CONNECTING ROD BASE
06	750034009	UPPER LOOPER CAM
07	301087003	SET SCREW
08	750036001	SCREW
09	750013002	LOOPER SHAFT BUSHING
10	000023021	SCREW
11	750032007	COLLAR
12	301046000	SET SCREW
13	750033008	LOOPER CRANK
14	000004037	NUT
15	750501002	BALL BASE CONNECTING ROD
16	750037002	UP LOOPER ROD
17	000020006	SCREW
18	301046000	SET SCREW
19	750038003	LOWER LOOPER THREAD TAKE-UP
20	000016010	SCREW
21	750039004	UP LOOPER THREAD TAKE-UP
22	000015019	SCREW
23	000021007	SPRING WASHER
24	750042000	UP LOOPER
25	750041009	UP LOOPER THREAD GUIDE
26	750040008	SLIDE SHAFT
27	750045003	PIN
28	750043001	SLIDE BASE
29	750044002	SLIDE BASE SHAFT BUSHING
30	750032007	COLLAR
31	301046000	SET SCREW

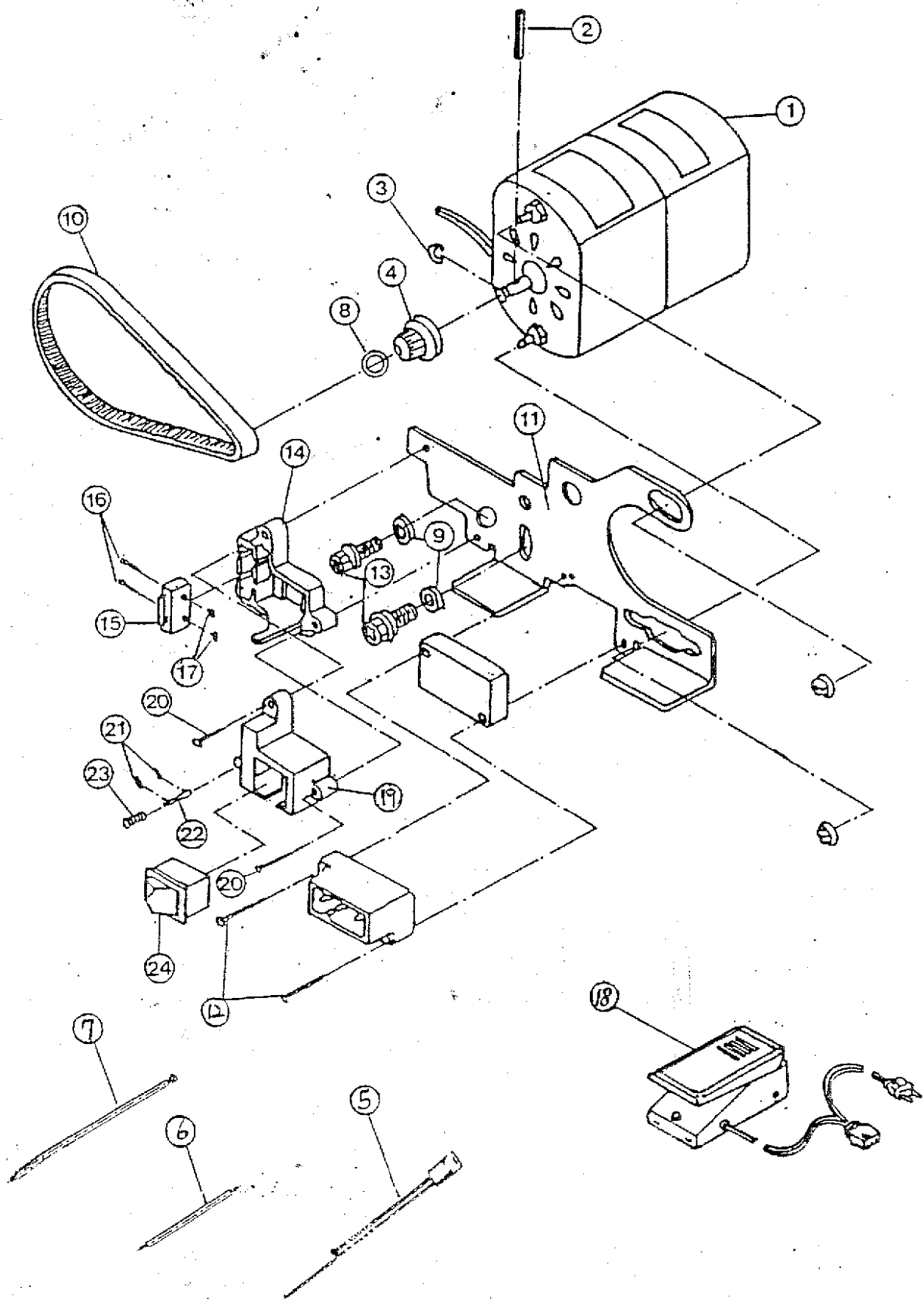


ref no.	sunbeen part no.	name of parts
01	750011000	LOWEER LOOPER SHAFT
02	000000309	SNAP RING 5D
03	750012001	LOOPER SHAFT BUSHING
04	000023021	SCREW
05	301046000	SET SCREW
06	750032007	COLLAR
07	750187008	LOWER LOOPER CAM
08	301087003	SET SCREW
09	750035000	CONNECTING ROD BASE
10	750036001	SCREW
11	750013002	LOOPER SHAFT BUSHING
12	750033008	LOOPER CRANK
13	000023021	SCREW
14	000004037	NUT
15	750501002	BALL BASE CONNECTING ROD
16	301087003	SET SCREW
17	750080000	LOWER LOOPER BASE
18	750083003	LOWER LOOPER THREAD GUIDE
19	000017011	SCREW
20	000015008	SCREW
21	750087007	NEEDLE BASE
22	000017011	SCREW
23	750081001	LOWER LOOPER
24	000015042	SCREW
25	000017011	SCREW
26	750082002	NEEDLE BASE

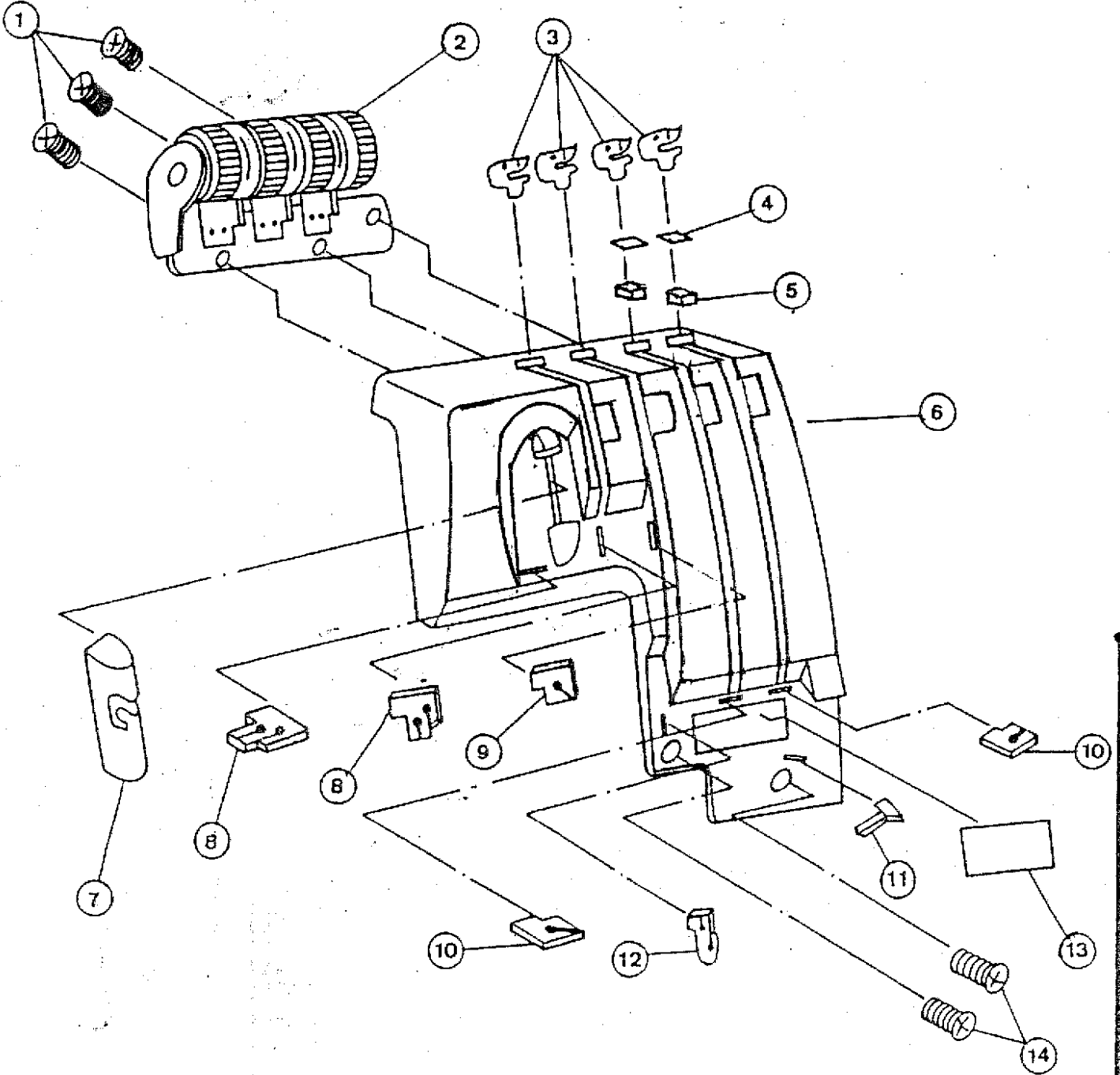


ref no.	sunbeen part no.	name of parts
01a	750812009	MOTOR 240V UK
01b	750811008	MOTOR 230V
02	000003807	SPRING PIN 2*14
03	000002208	E RING
04	750117007	MOTOR PULLEY
05	750827007	MOTOR CONNECTION CORD
06	750822002	SWITCH CONNECTION CORD
07	750821001	SWITCH CONNECTION CORD
08	000009009	SPRING WASHER
09	900031007	SPRING WASHER
10	750123006	BELT
11	750118008	MOTOR BRACKET
12a	750833006	CONTROLLER 240V UK
12b	750816003	CONTROLLER 230V
13	000020017	SCREW
14	750122005	SWITCH BASE
15	750815105	SAFY SWITCH
16	000019002	SCREW
17	000004004	NUT
19	000019024	SCREW
20	000019035	SCREW
21	000000701	E RING
22	750120003	SWITCH PRESSURE ROD
23	750121004	SPRING
24	750814001	SWITCH
25	750119009	SWITCH SUPPORT COVER

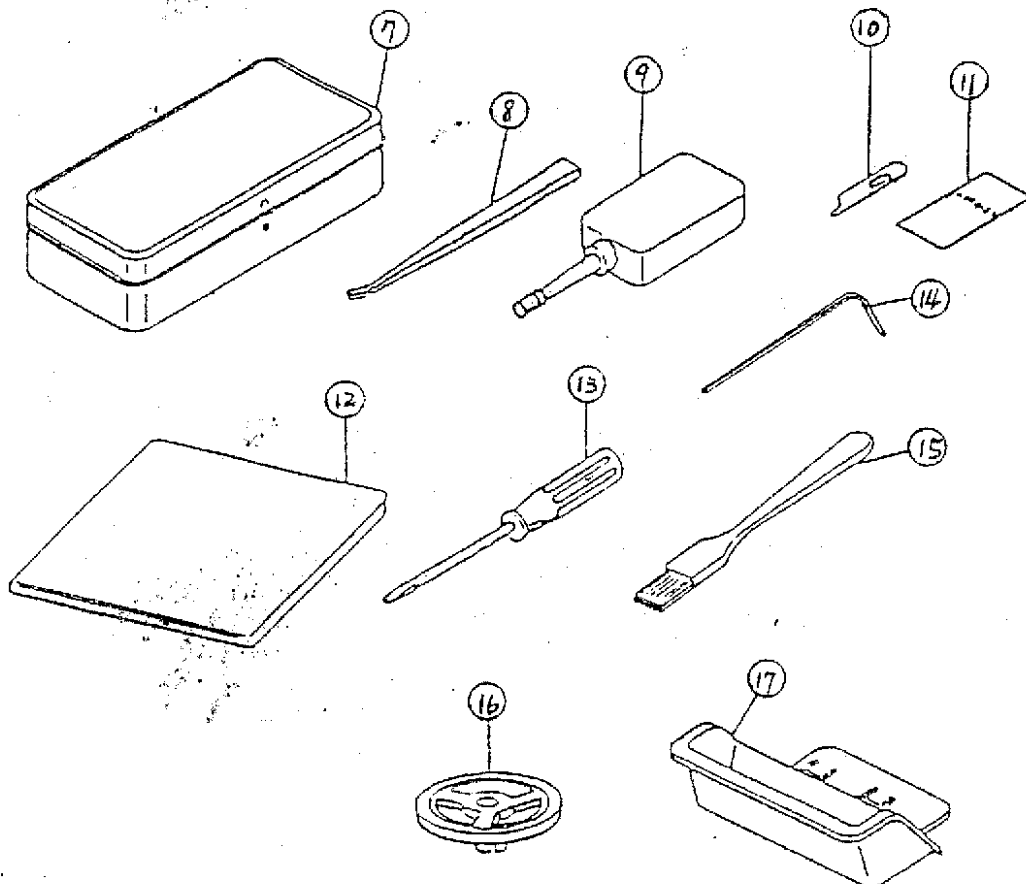
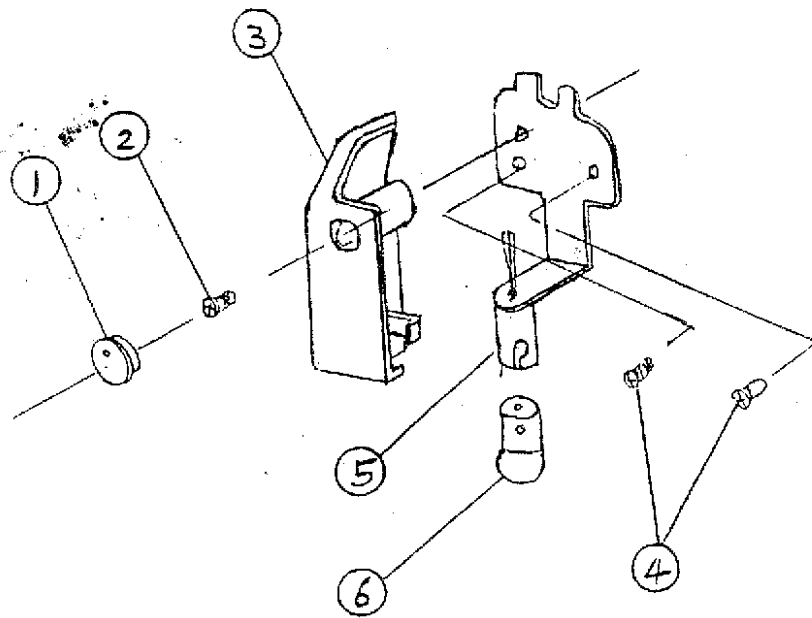
7-1



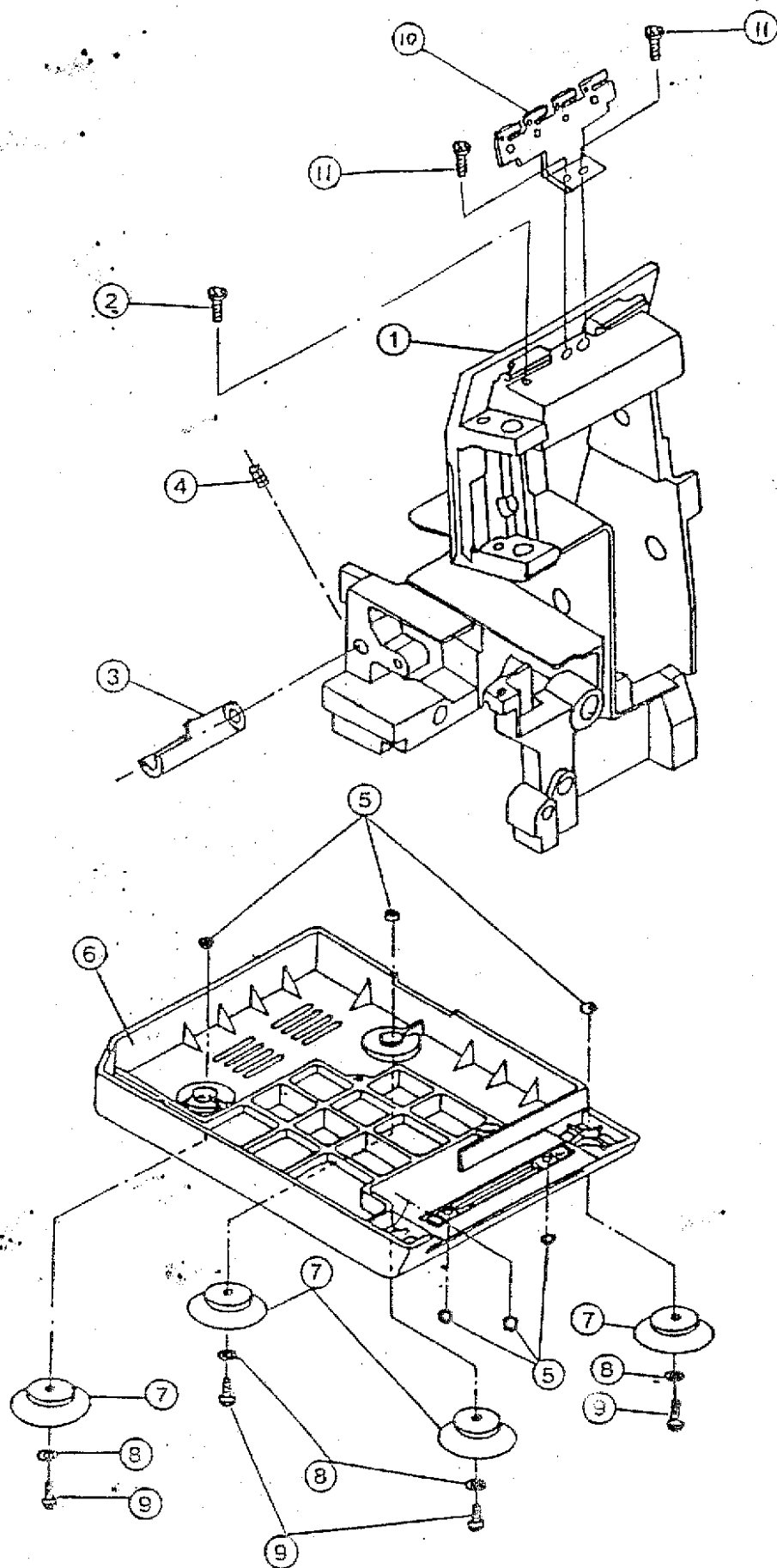
ref no.	sunbeen part no.	name of parts
01	750835008	MOTOR COMP 120V
02	000003807	SPRING PIN 2*14
03	000002208	E RING
04	750117007	MOTOR PULLEY
05	750818005	CONNECTION CORD
06	750819006	SWITCH CONNECTION CORD
07	750820000	CONNECTION CORD
08	000009009	SPRING WASHER
09	900031007	SPRING WASHER
10	750123006	BELT
11	750128001	MOTOR BRACKET
12	000019024	SCREW
13	000020017	SCREW
14	750122005	SWITCH BASE
15	750815002	SAFY SWITCH
16	000019002	SCREW
17	000004004	NUT
18	750836009	CONTROLLER COMP 120V
19	750119009	SWITCH SUPPORT COVER
20	000019035	SCREW
21	000000701	E RING
22	750120003	SWITCH PRESSURE ROD
23	750121004	SPRING
24	750814001	SWITCH



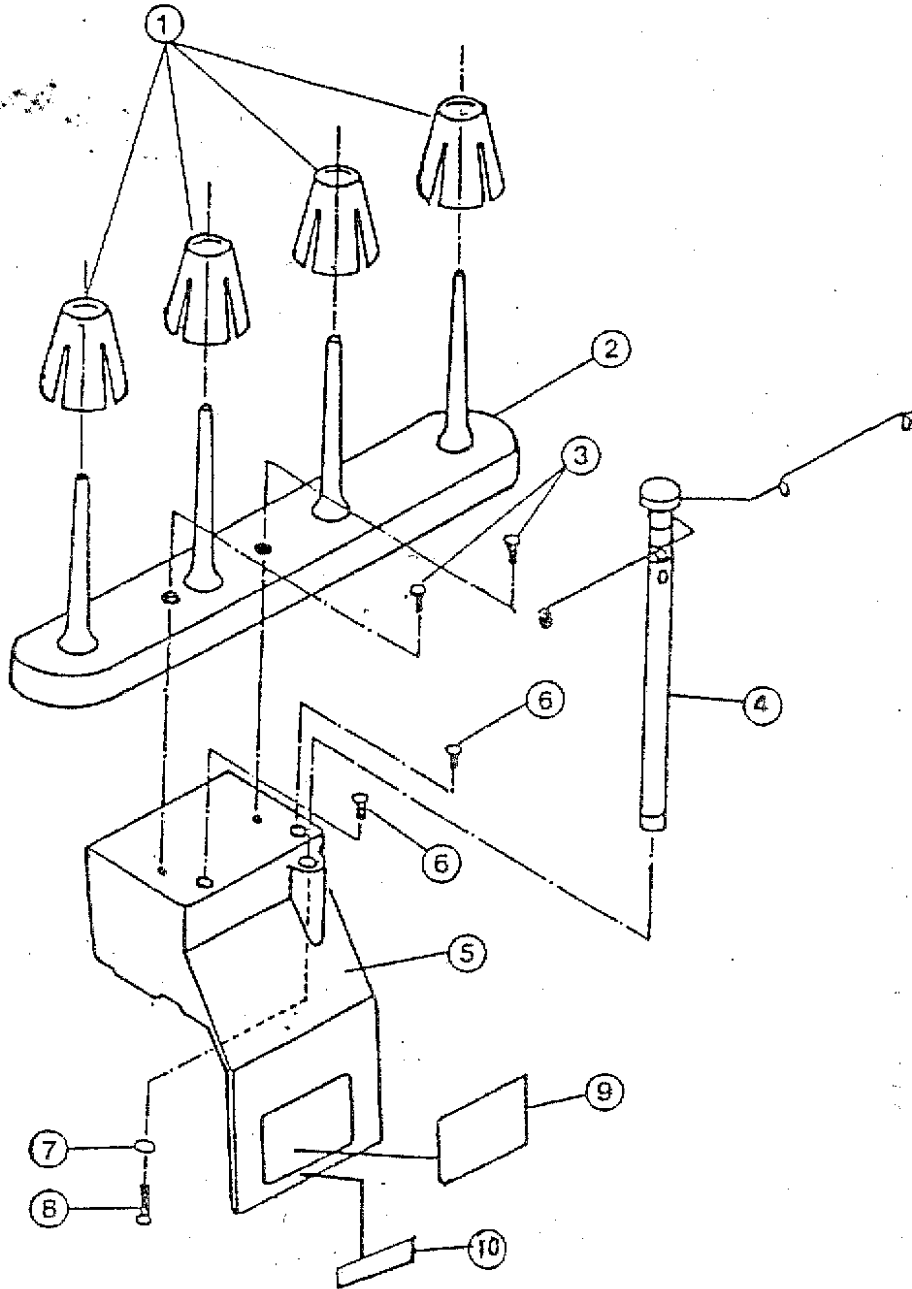
<u>ref</u> <u>no.</u>	<u>sunbeen</u> <u>part no.</u>	<u>name of parts</u>
01	000011912	SET SCREW
02	754606000	UP-TENSION COMPLETE
03	754009007	THREAD GUIDE
04	754031008	PRESSER PLATE
05	754030007	FOAM
06	754025009	FRONT UPPER COVER
07	750151003	THREAD TAKE-UP LEVER COVER
08	750212106	THREAD GUIDE V.BASE B
09	750211105	THREAD GUIDE A2
10	750211002	THREAD GUIDE A
11	750213004	THREAD GUIDE C
12	750214005	THREAD GUIDE D
13	754018021	STICKER
14	250087002	SET SCREW



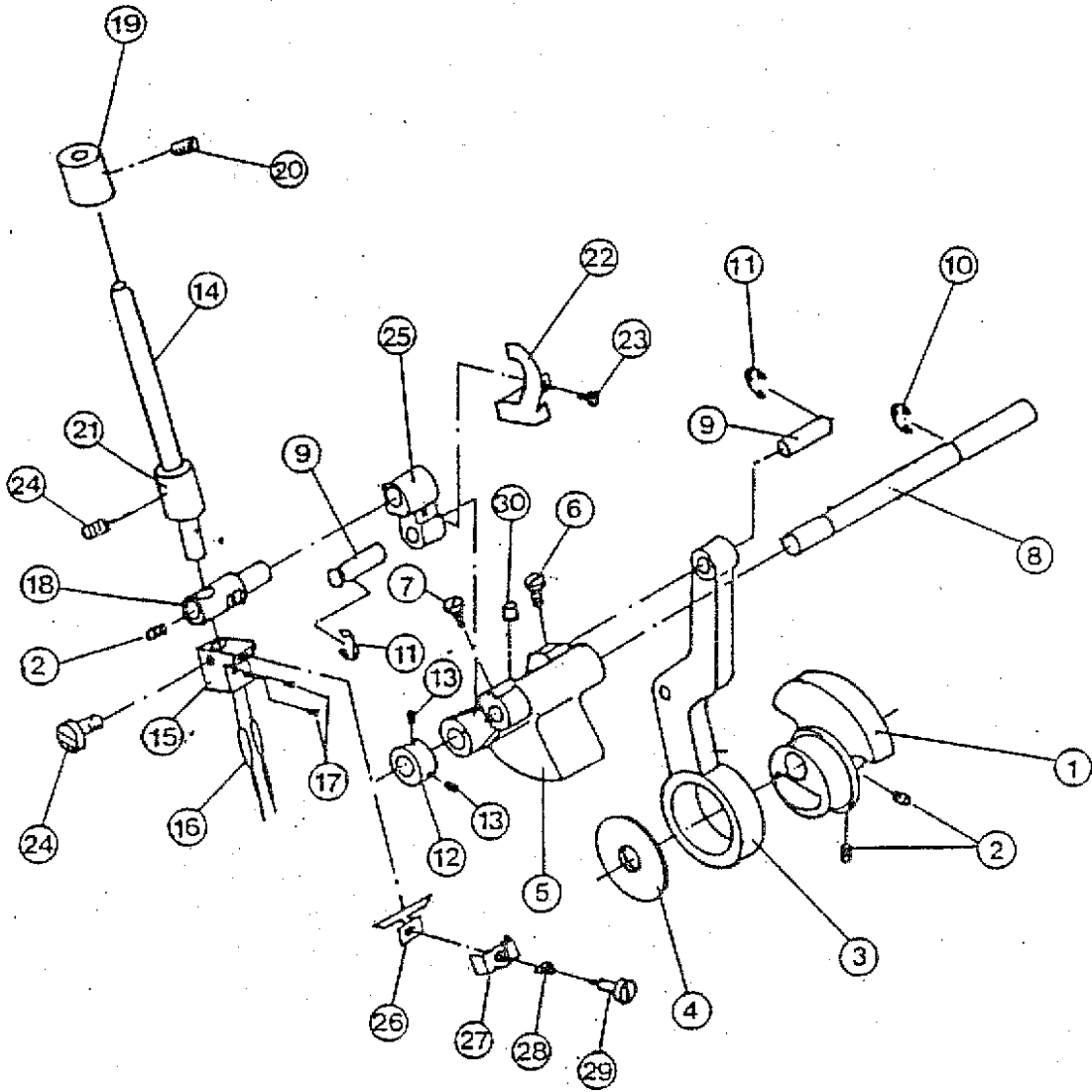
ref no.	sunbeen part no.	name of parts
01	250125014	ADJUSTING HOLE PLUG(W)
02	000016010	SCREW
03	754008006	LIGHT COVER
04	000016009	SCREW
05	754801100	CABLE
06	650816000	LIGHT BULB
07	750418001	ACCESSORIES CASE
08	750402002	TWEEZERS
09	301411000	OIL KATTLE
10	750030005	UPPER KNIFE
11	301550002	NEEDLE BOX
12	750405005	MACHINE COVERX
13	750406006	SCREWDRIVER
14	750404004	HEXAGON WRENCH KEY
15	301448006	BRUSH
16	750408019	SPOOL COVER
17	750401012	WASTE CHIP BOX



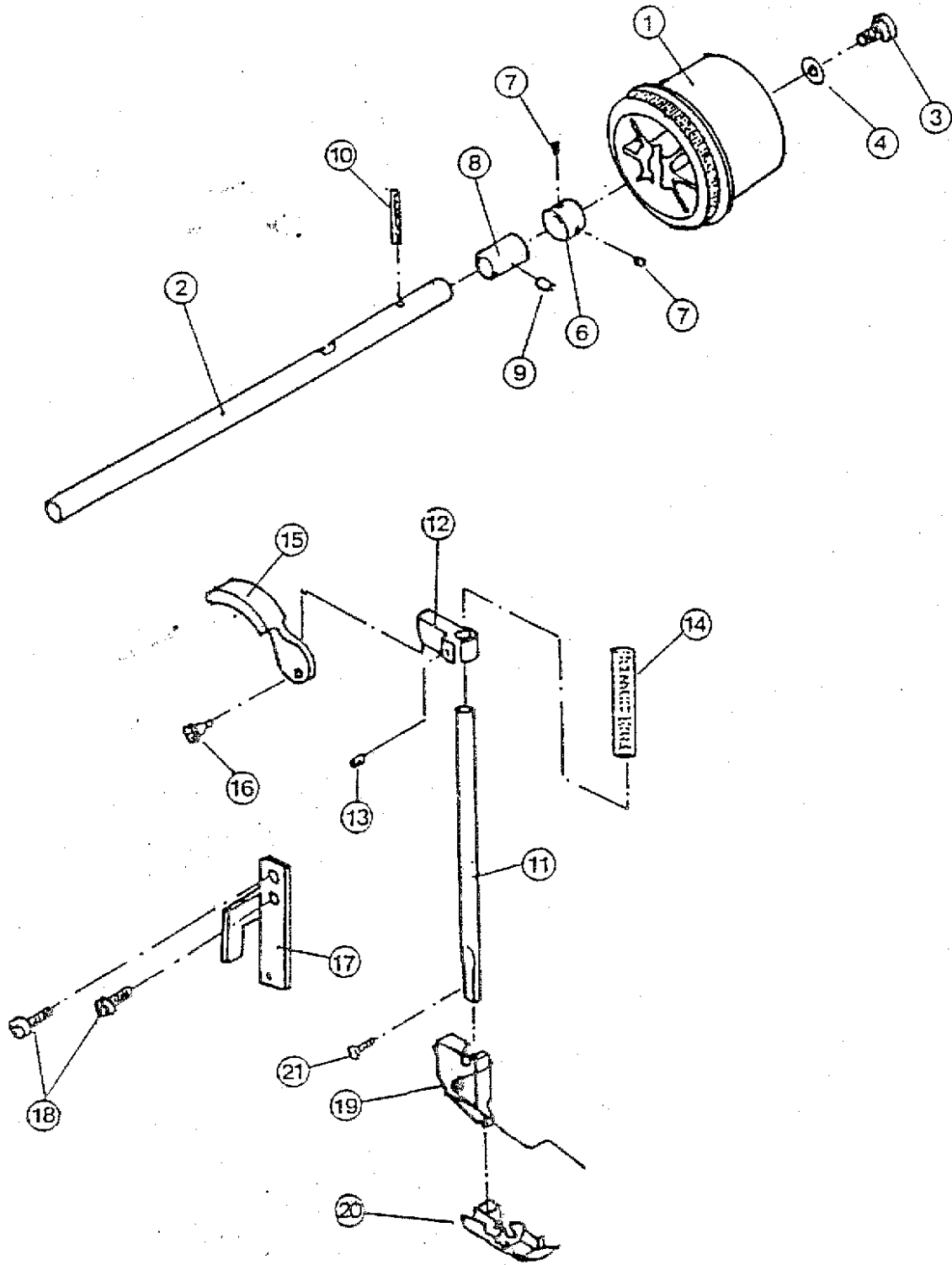
<u>ref</u> <u>no.</u>	<u>sunbeen</u> <u>part no.</u>	<u>name of parts</u>
01	750207201	MACHINE FRAME
02	301037008	SET SCREW
03	750174002	SHAFT BUSHING
04	000023021	SCREW
05	301193003	NUT
06	750129013	BASE
07	750130006	CUSHION RUBBER
08	000014018	WASHER
09	000019079	SCREW M4 L16
10	754029003	THREAD GUIDE
11	380041000	SET SCREW



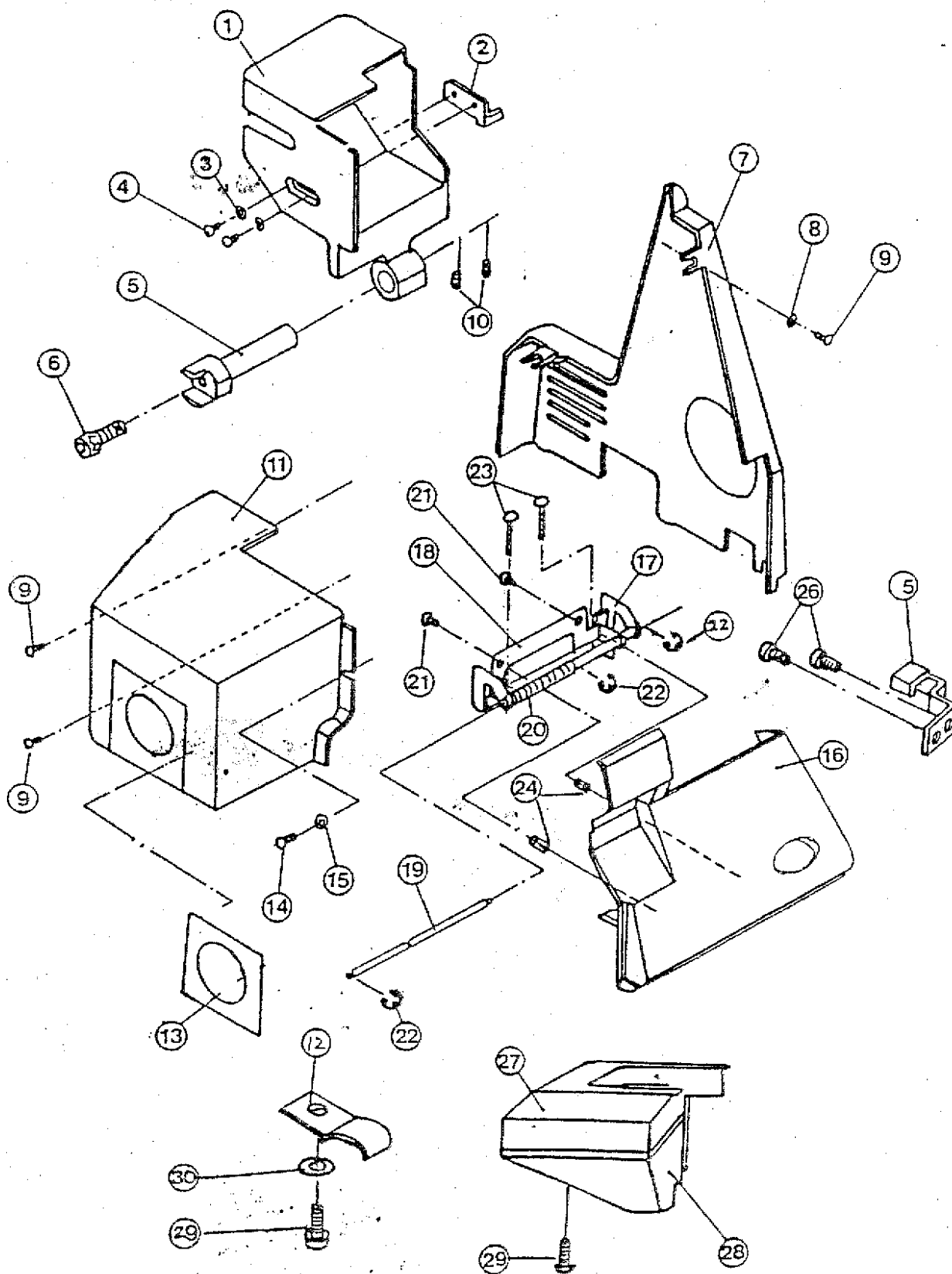
<u>ref</u> <u>no.</u>	<u>sunbeen</u> <u>part no.</u>	<u>name of parts</u>
01	750143002	SPOOL PIN BASE
02	750142012	SPOON PIN
03	000011255	SCREW
04	750502003	THREAD GUIDE BAR
05	750125019	MOTOR COVER
06	000019079	SCREW M4 L16
07	000014018	WASHER
08	301144009	SET SCREW
09	754042208	RATING PLATE
10	303075004	SERIAL MACHINE STICKER



ref no.	sunbeen part no.	name of parts
01	750017006	NEEDLE BAR CAM
02	301087003	SET SCREW
03	750018007	CONNECTING ROD
04	750019008	CONNECTING RO SUPPORT PLATE
05	750016005	NEEDLE BAR CRANK
06	000023010	SCREW
07	000023021	SCREW
08	750014003	NEEDLE BAR CRANK SHAFT
09	750020002	PIN
10	000000402	SNAP RING 6D
11	000000309	SNAP RING 5D
12	750015004	COLLAR
13	301046000	SET SCREW
14	754003001	NEEDLE BAR
15	750105002	NEEDLE CLAMP
16	301244000	NEEDLE
17	000022008	SCREW
18	750104001	NEEDLE BAR ROD
19	750100007	NEEDLE BAR SHAFT BUSHING
20	000023021	SCREW
21	750101008	NEEDLE BAR SHAFT BUSHING
22	754010001	THREAD TAKE-UP LEVER
23	380041000	SET SCREW
24	000017000	SCREW
25	750102009	NEEDLE BAR CONNECTING ROD.
26	750254007	STOP PLATE
27	750251004	SPRING PLATE
28	750252005	SPRING
29	750253006	SCREWG
30	750255008	LUBRINCANT FELT



<u>ref</u> <u>no.</u>	<u>sunbeen</u> <u>part no.</u>	<u>name of parts</u>
01	750008015	HAND WHEEL
02	750188009	MAIN SHAFT
03	000016054	SCREW
04	000014029	WASHER
06	750004000	MAIN SHAFT COLLAR
07	301087003	SET SCREW
08	750005001	MAIN SHAFT BUSHING
09	000023021	SCREW
10	000003508	SPRING PIN 4*20
11	750110000	PRESSURE BAR
12	750109006	PRESSURE BAR ROD
13	301046000	SET SCREW
14	750108005	PRESSURE BAR SPRING
15	750111001	PRESSURE BAR LIFTER
16	750112002	SCREW
17	750107004	PRESSURE BAR ROD BASE
18	000019057	SCREW
19	750505006	PRESSER FOOT HOLDER
20	750504005	PRESSER FOOT
21	301339003	SET SCREW



<u>ref</u> <u>no.</u> <u>---</u>	<u>sunbeen</u> <u>part no.</u> <u>-----</u>	<u>name of parts</u> <u>-----</u>
01	750084004	FREE ARM
02	750085005	FREE ARM PLATE
03	000014018	WASHER
04	000016010	SCREW
05	750099002	FREE ARM SHAFT
06	000015020	SCREW
07	750208017	HANDWHEEL COVER
08	301009001	WASHER
09	301144009	SET SCREW
10	000023010	SCREW
11	750209018	SIDE COVER
12	750141000	EXTENSION TABLE SPRING
13	750199014	SIDE COVER PANEL
14	000019013	SCREW
15	301009001	WASHER
16	754026206	LOWER COVER B
17	750131007	FRONT COVER HINGE A
18	750132008	FRONT COVER HINGE B
19	750133009	HING SHAFT
20	750134000	SPRING
21	000011211	SET SCREW
22	000000804	2.5D E RING
23	000016043	SCREW
24	301193003	NUT
25	750136002	SWITCH PRESSURE PLATE
26	000011211	SET SCREW
27	750139016	EXTENSION TABLE (UP)
28	750140010	EXTENSION TABLE (LOW)
29	000011244	SCREW
30	000014018	WASHER

OCT - 1 1999