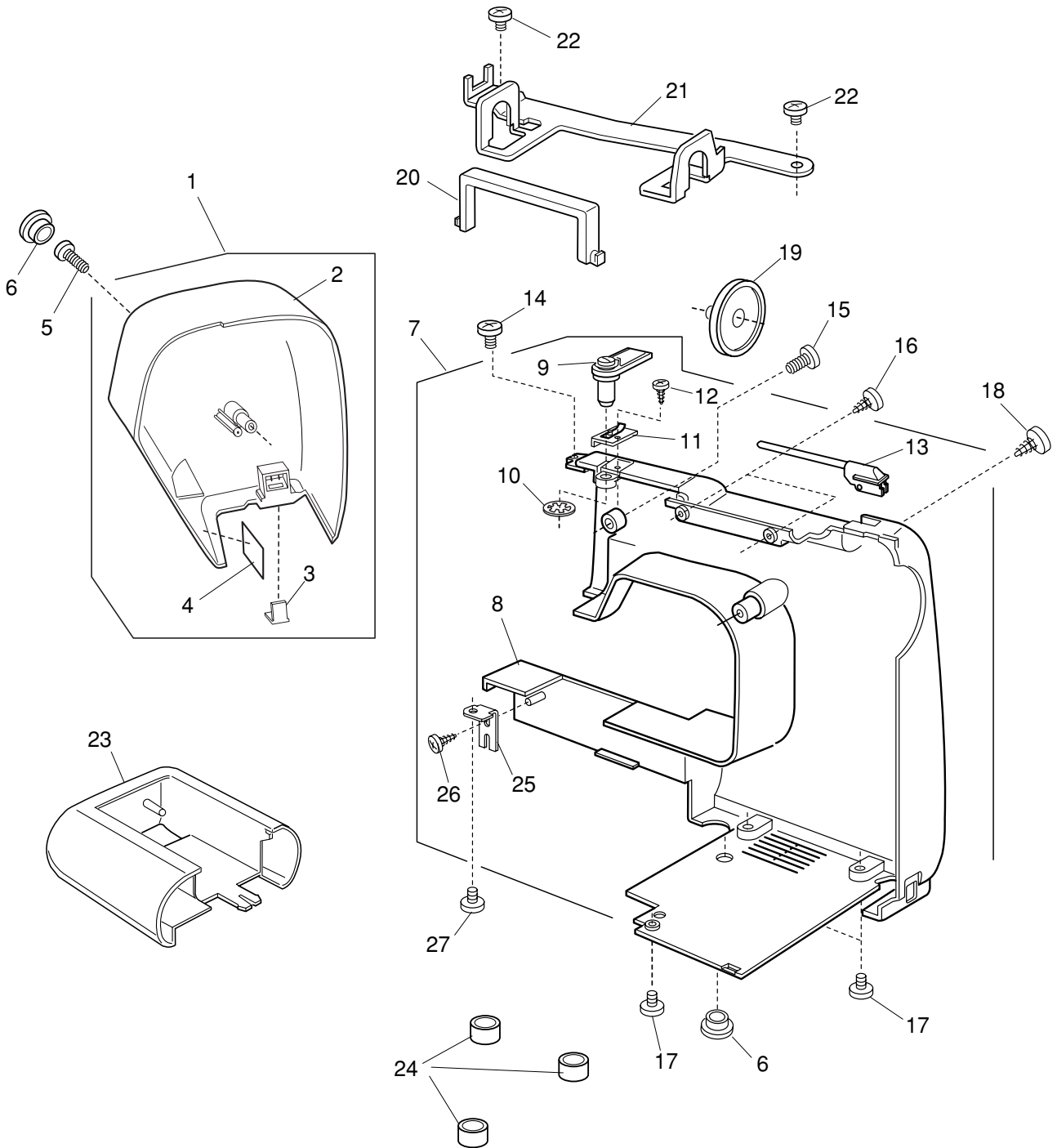


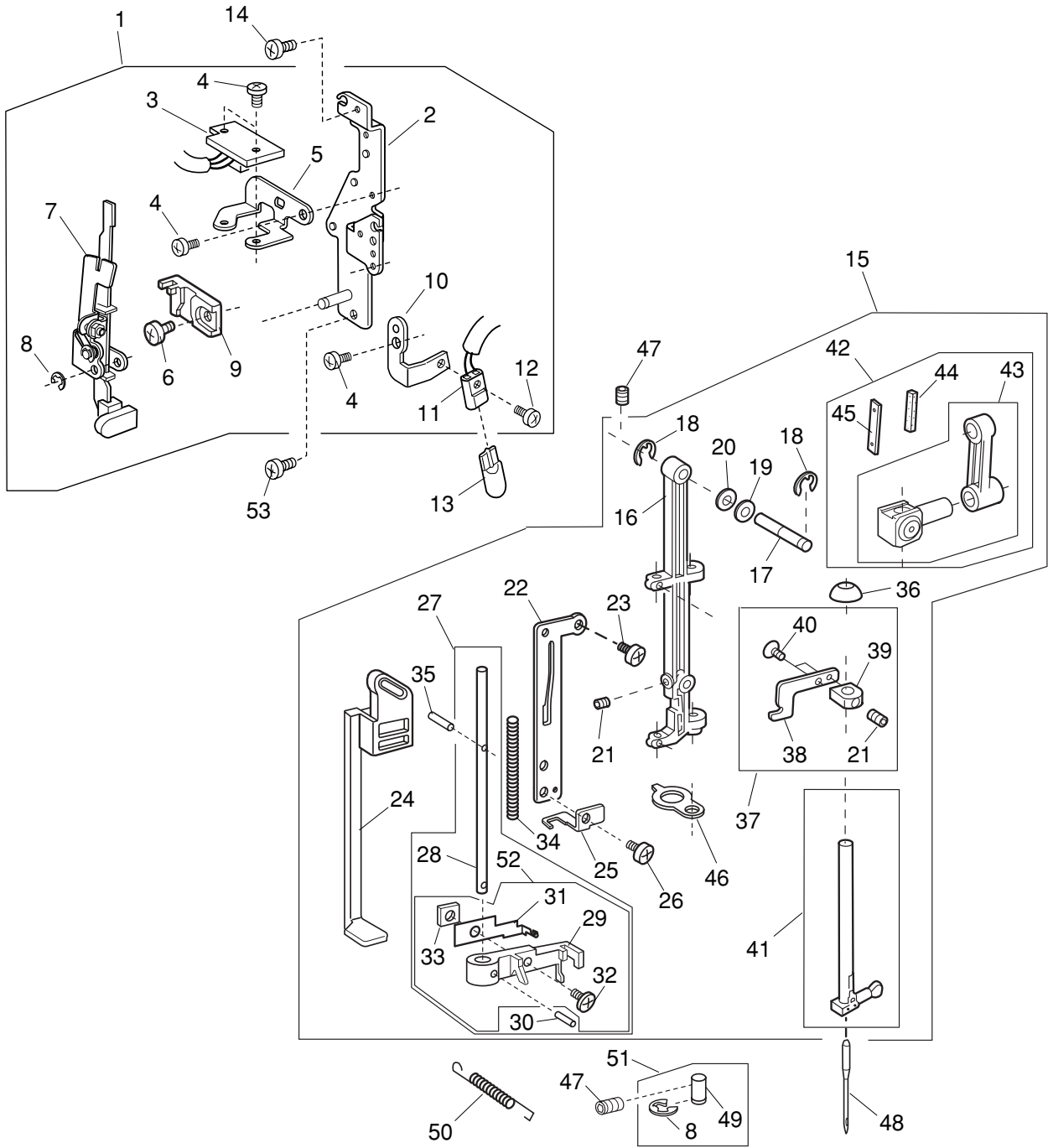
Part List



Part List

No.	Part Number	Description
1	843633005	Face plate (unit)
2	843078109	Face plate
3	840602006	Thread cutter (unit)
4	827099003	Face plate sticker
5	000101817	Setscrew 4 X 16
6	653006101	Cap
7	843632004	Rear cover (unit)
8	843077108	Rear cover
9	650503506	Thread guide (unit)
10	000014409	Snap ring CS-8
11	827503005	Top cover thread guide (unit)
12	000162001	Setscrew 2.6 X 5
13	659067005	Spool pin
14	810220003	Setscrew
15	000104119	Setscrew 4 X 20
16	000161309	Setscrew 3 X 12
17	000103509	Setscrew 4 X 10
18	000119601	Setscrew 4 X 25
19	822020503	Spool cap (large)
20	751100000	Carrying handle
21	843005002	Carrying handle base plate
22	000081005	Setscrew 4 x 8
23	843080001	Extension table
24	647009002	Bed rubber foot
25	827006003	Rear cover fixing plate
26	000120203	Setscrew 3 X 8
27	000101404	Setscrew 4 X 6

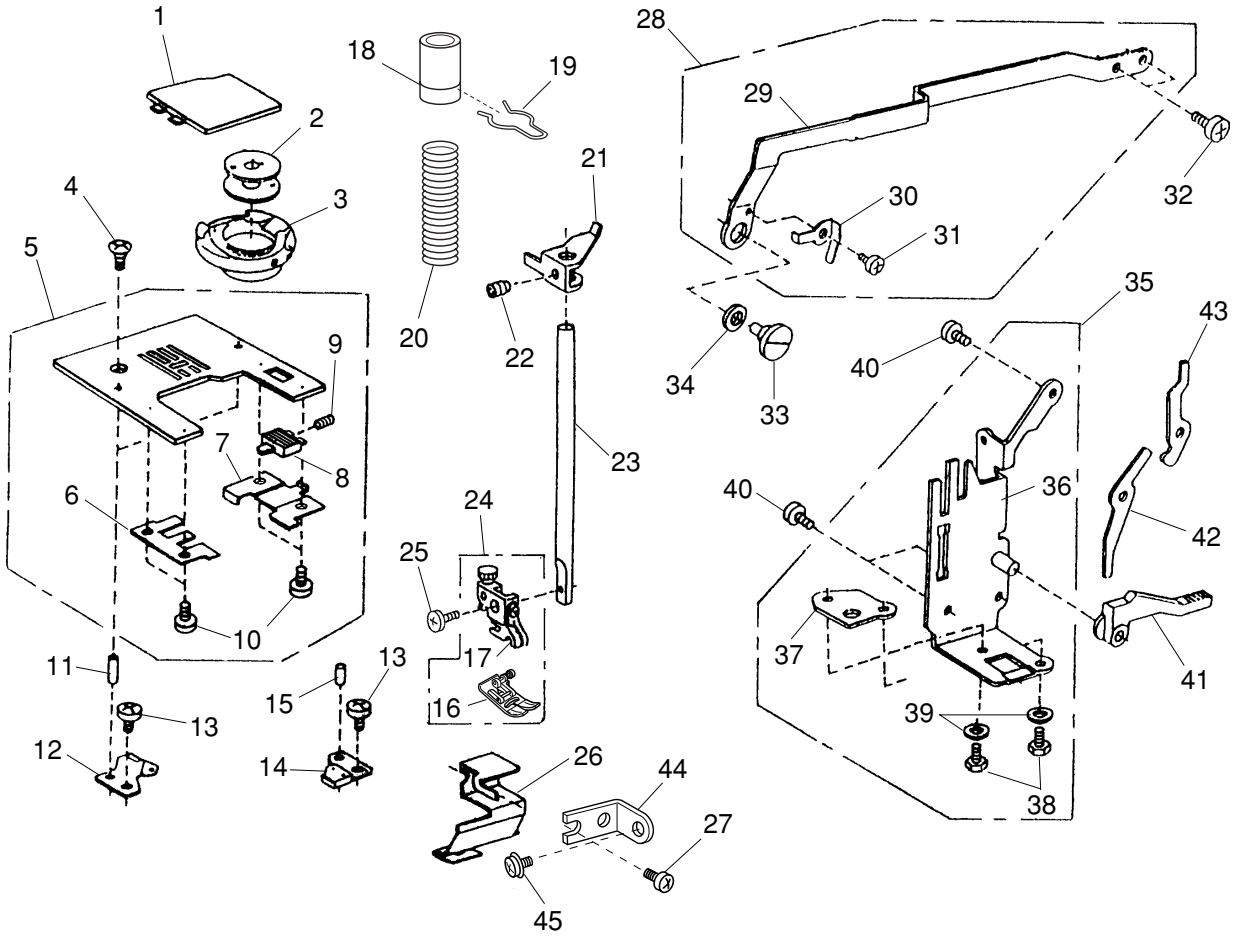
Part List



Part List

No.	Part Number	Description
1	843604007	BH lever (unit)
2	843008005	Front base plate
3	843502004	Printed circuit board E-1 (unit)
4	000101105	Setscrew 3 X 4
5	843009006	BH lever supporter plate
6	000103808	Setscrew 3 X 5
7	843625004	BH lever guide
8	000002105	Snap ring E-3
9	830057010	BH lever (unit)
10	843007004	Lamp set plate
11	843508000	Lamp socket (unit)
12	000102900	Setscrew 2 X 8
13	000026002	Wedge base lamp 12V 5W
14	000081005	Setscrew 4 X 8
15	840647003	Needle bar supporter (unit)
16	827026010	Needle bar supporter
17	730022002	Needle bar supporter pin
18	000002507	Snap ring E-4
19	000070609	Washer
20	673022002	Washer
21	000111902	Hexagonal socket screw 3 X 4
22	840033000	Thread guide plate
23	000101105	Setscrew 3 X 4
24	840034001	Needle threader lever
25	840037004	Needle threader lever set plate
26	000078319	Setscrew 3 X 6
27	840640002	Needle threader bar (unit)
28	840036003	Needle threader bar
29	755064003	Needle threader guard plate
30	000003508	Spring pin 2 X 8
31	755065004	Needle threader plate
32	755096004	Setscrew
33	755095003	Nut
34	840035002	Needle threader spring
35	000125105	Pin E-2 X6-CH
36	827098002	Washer
37	734625003	Threader position set plate (unit)
38	734101008	Threader position set plate
39	734102009	Threader position holder
40	000097602	Setscrew 2 X 4
41	653503103	Needle bar (unit)
42	653612003	Needle bar crank rod (unit)
43	653504001	Needle bar crank rod (unit)
44	650040005	Felt
45	650041006	Felt holder spring
46	829027006	Supporter guide plate
47	000111201	Hexagonal socket screw 4 X 4
48	102408089	Needle HA1-14
49	827083004	Supporter guide plate pin
50	827092006	Supporter spring
51	842625001	Supporter guide plate pin (unit)
52	755643002	Threader plate (unit)
53	000081119	Setscrew 4 X 6

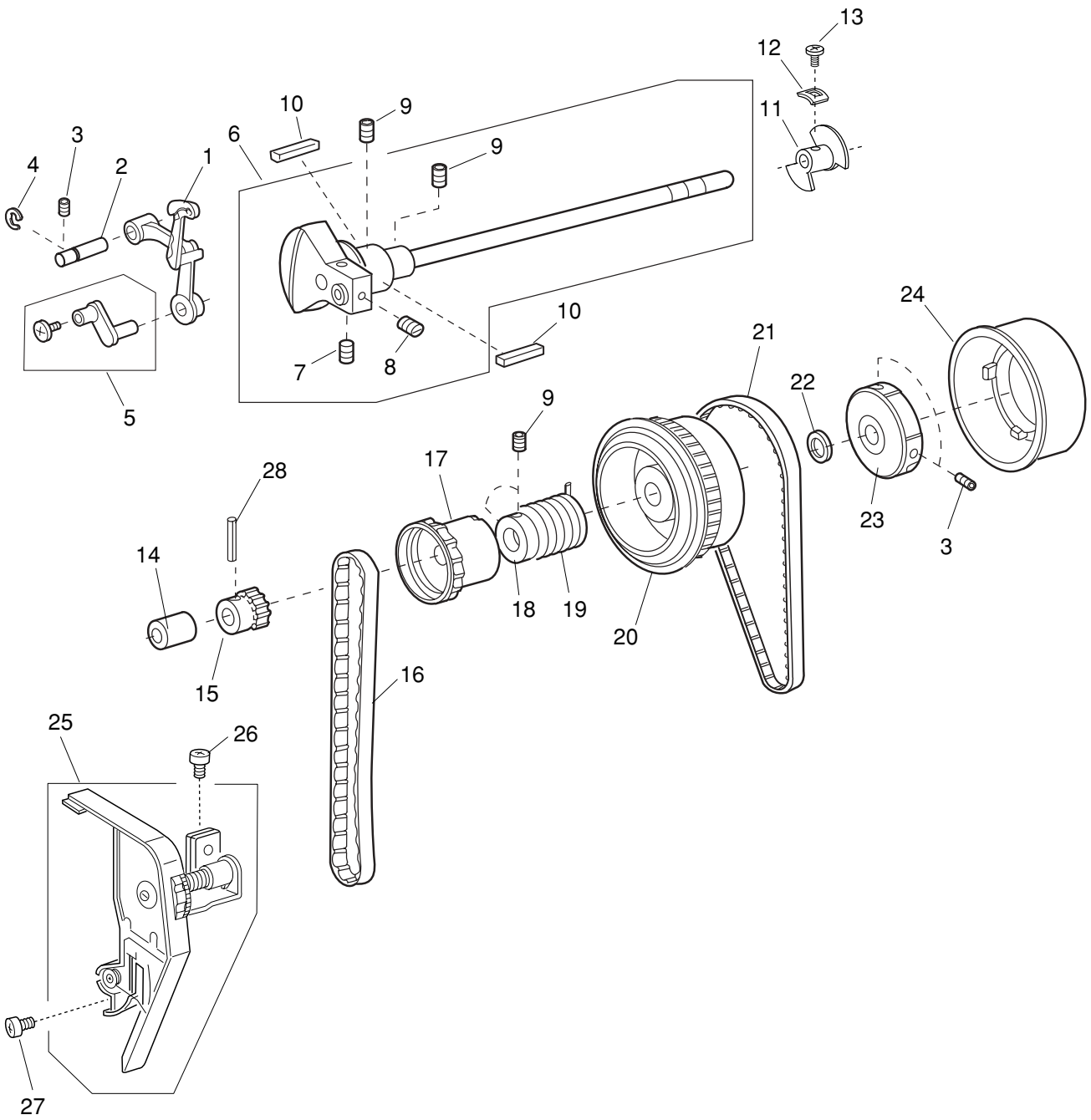
Part List



Part List

No.	Part Number	Description
1	750036012	Hook cover plate
2	102261000	Bobbin
3	627569209	Bobbin holder (unit)
4	681009101	Needle plate set screw
5	756604107	Needle plate (unit)
6	752005007	Hook cover plate holder (left)
7	825015010	Hook cover plate holder (right)
8	825016000	Hook cover plate holder release button
9	825017001	Hook cover plate holder spring
10	820374004	Setscrew 2 X 2.3
11	000122504	Pin D3 X 10CH
12	827011001	Bobbin holder stopper
13	810220003	Setscrew
14	627567001	Bobbin holder stopper (unit)
15	000122700	Pin D2.5 X 6-LC
16	832523007	Zigzag foot (unit)
17	804509000	Presser foot holder (unit)
18	802021007	Bushing
19	802022008	Snap retainer
20	730026006	Presser bar spring
21	735028003	Presser bar supporter
22	000111500	Hexagonal socket screw 4 X 8
23	827021004	Presser bar
24	829515006	Zigzag foot (unit)
25	660106001	Setscrew
26	827036002	Arm thread guide
27	000081005	Setscrew 4 X 8
28	827622012	Zigzag rod (unit)
29	827055018	Zigzag rod
30	827088009	Zigzag rod spring
31	820373003	Setscrew 2 X 3
32	000078319	Setscrew 3 X 6
33	678084007	Eccentric pin
34	653037008	Washer
35	827608403	Presser base plate (unit)
36	827020047	Presser base plate
37	827082003	Foot regulating plate
38	000066303	Hexagonal bolt 4 X 6
39	000070908	Washer 4
40	000081005	Setscrew 4 X 8
41	735029004	Presser foot lifter
42	827022005	Tension release lever (1)
43	827023006	Tension release lever (2)
44	827037003	Front panel set plate
45	000115205	Setscrew TP 4 X 6

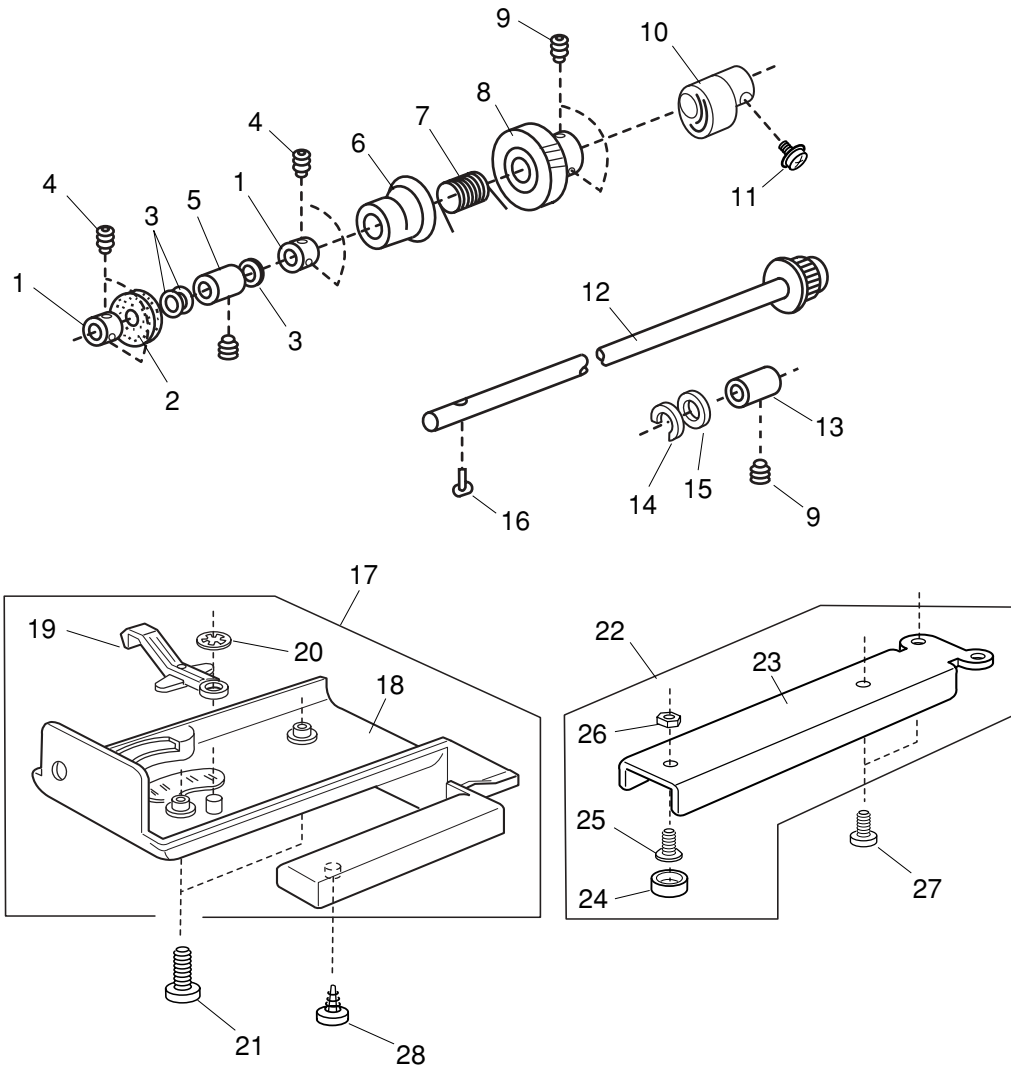
Part List



Part List

No.	Part Number	Description
1	820511108	Thread take-up lever
2	650062003	Thread take-up lever pin
3	000111201	Hexagonal socket screw 4 X 4
4	000002806	Snap ring E-6
5	652512009	Needle bar crank pin (unit)
6	827518508	Upper shaft comp. (unit)
7	102073003	Setscrew
8	761052007	Setscrew
9	000111304	Hexagonal socket screw 5 X 5
10	731384008	Felt
11	830095010	Upper shaft shielding plate
12	820102009	Washer
13	000081005	Setscrew 4 X 8
14	673062004	Upper shaft bushing (rear)
15	756017004	Upper shaft gear
16	650071005	Timing belt
17	653055002	Declutch release ring
18	653056003	Clutch ring
19	653057004	Clutch spring
20	653058005	Belt wheel
21	653139012	Timing belt
22	000038605	Somalite washer Ø 10 X 0.5
23	830286009	Handwheel base
24	653061115	Handwheel
25	843525003	Thread tension (unit)
26	000101404	Setscrew 4 X 6
27	000101703	Setscrew 4 X 12
28	000020501	Spring pin 3 X 22

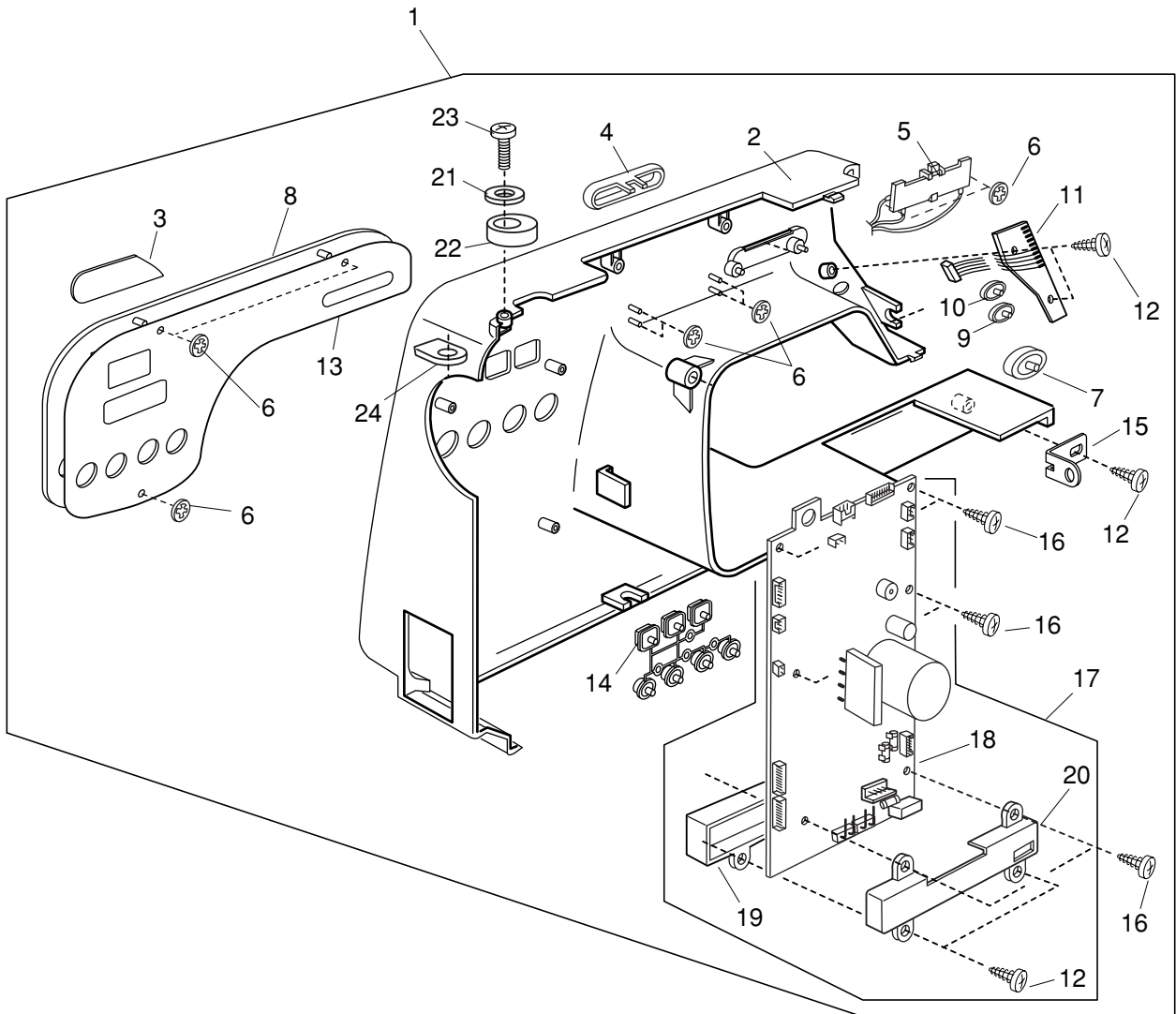
Part List



Part List

No.	Part Number	Description
1	820166001	Ring
2	735143005	Felt
3	000038502	Washer
4	000111201	Hexagonal socket screw 4 X 4
5	650078002	Lower shaft bushing (Front)
6	753183025	Feed lifting cam
7	686035008	Feed lifting cam spring
8	650076000	Lower shaft gear
9	000111304	Hexagonal socket screw 5 X 5
10	751148000	Feed cam
11	000115009	TP screw 3 X 8
12	751612206	Lower shaft (unit)
13	650079003	Lower shaft bushing (rear)
14	822112008	Felt holder (1)
15	822070003	Felt
16	820161006	Feed lifting pin
17	843601004	Bed cover (unit)
18	843001008	Bed cover
19	753005000	Drop feed lever
20	000013903	Snap ring CS-5
21	000101703	Setscrew 4 X 12
22	827601107	Arm base (unit)
23	827002102	Arm base
24	735002001	Bed rubber foot
25	000097901	Setscrew 5 X 18
26	000061412	Hexagonal nut
27	000066808	Setscrew 6 X 14
28	000120203	Setscrew 3 X 8

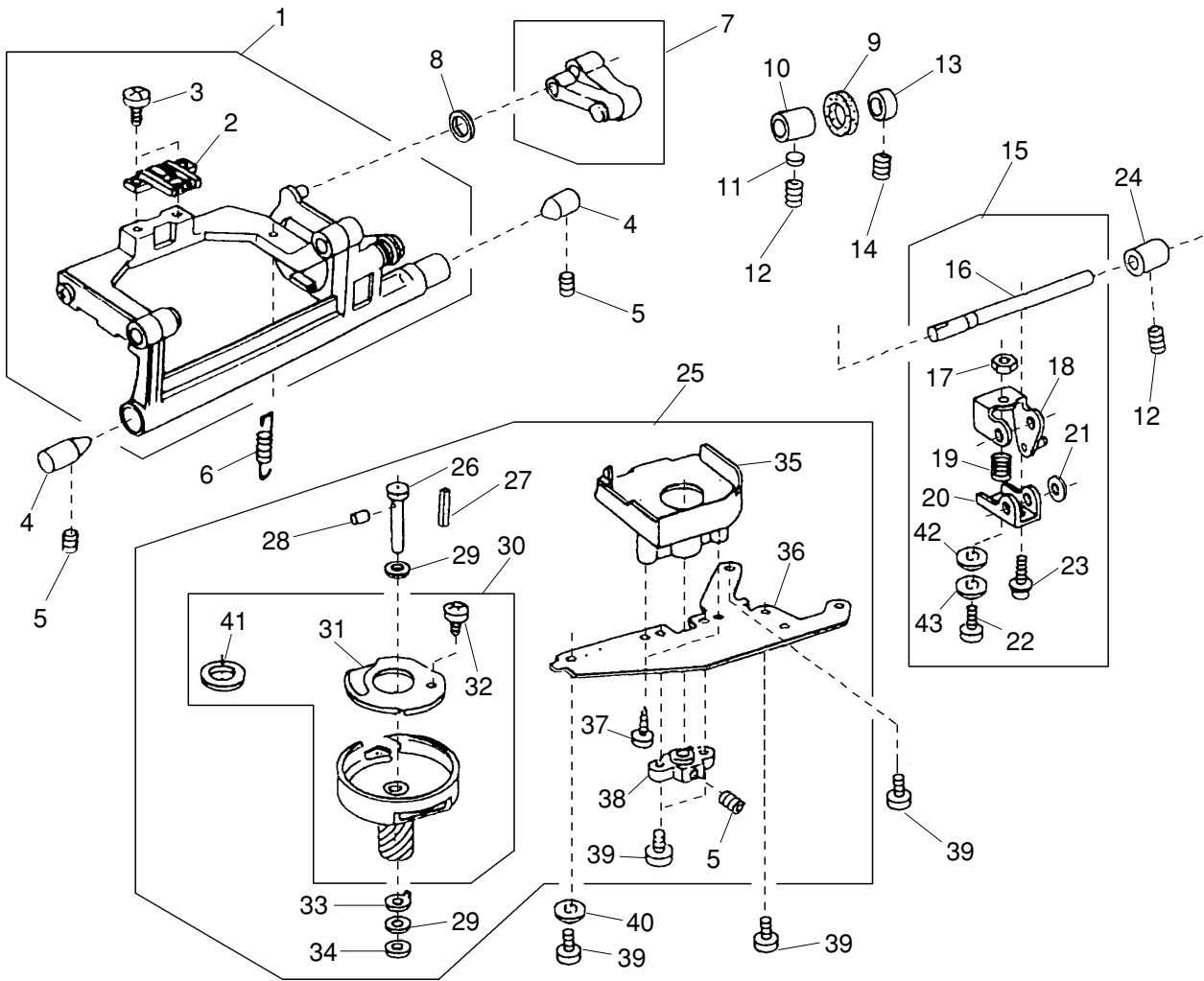
Part List



Part List

No.	Part Number	Description
1	843631003	Front cover (unit)
2	843076107	Front cover
3	843082106	Indicator window
4	843024007	Slide volume lever
5	653507211	Slide volume (unit)
6	000014306	Snap ring CS-3
7	843025400	Start/Stop button
8	843081105	Panel
9	843026205	Button (1)
10	843026308	Button (1)
11	843529007	Printed circuit board F (unit)
12	000120203	Setscrew 3 X 8
13	843089000	Panel sheet
14	843083107	Button
15	827069004	Front cover set panel (lower)
16	000161206	Setscrew 3 X 10 (B)
17	843610408	Printed board A (unit)
18	843527005	Printed board A (unit)
19	843020106	Board A case cover
20	843021107	Board A case
21	000071013	Washer
22	735016307	Bobbin winder stopper
23	000101828	Setscrew 4 X 16
24	843014004	Nut

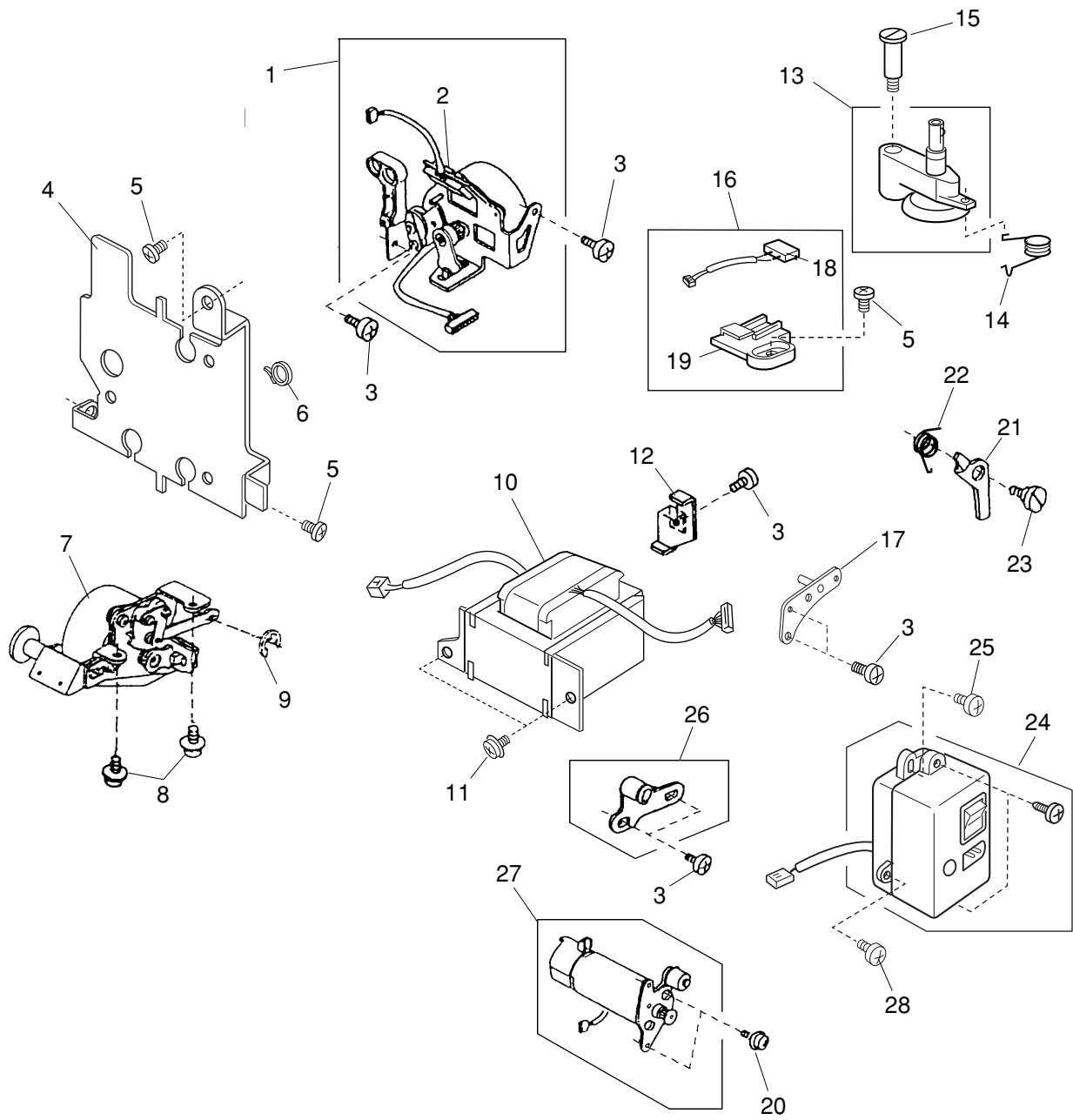
Part List



Part List

No.	Part Number	Description
1	834527100	Feed rock shaft (unit)
2	840005003	Feed dog
3	000104005	Setscrew 3.5 X 8
4	738055008	Center pin
5	000111304	Hexagonal socket screw 5 X 5
6	650085002	Spring
7	650612004	Feed regulator (unit)
8	000036603	Washer
9	823110009	Felt
10	625144002	Bushing (front)
11	650175000	Washer
12	000111201	Hexagonal socket screw 4 X 4
13	820387000	Ring
14	000111108	Hexagonal socket screw
15	840603007	Feed shaft (unit)
16	840006004	Feed shaft
17	000160102	Adjustable lock nut 4
18	825261002	Feed adjusting arm (2)
19	589040002	Spring
20	827043105	Feed adjusting arm (1)
21	810207004	Washer
22	827086007	Feed adjusting arm screw
23	000115906	Setscrew TP 3 X 12
24	650092002	Bushing (rear)
25	827614033	Hook race (unit)
26	820123006	Hook race shaft (unit)
27	820124007	Hook shaft oil wick (1)
28	820125008	Hook shaft oil wick (2)
29	000038409	Washer
30	650623008	Hook body (unit)
31	627191000	Thread guard plate
32	820374004	Setscrew 2 X 2.3
33	627192001	Washer
34	625102008	Washer
35	827040009	Cover
36	823106002	Hook race set plate
37	000107204	Setscrew 3 X 12 (B)
38	650094004	Hook race shaft base
39	000081005	Setscrew 4 X 8
40	000070506	Washer 4
41	627190010	Magnet
42	000071013	Washer
43	000036407	Thrust washer FT 50

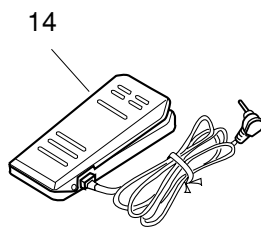
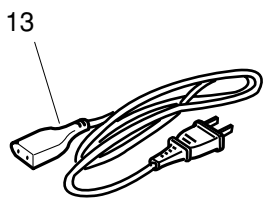
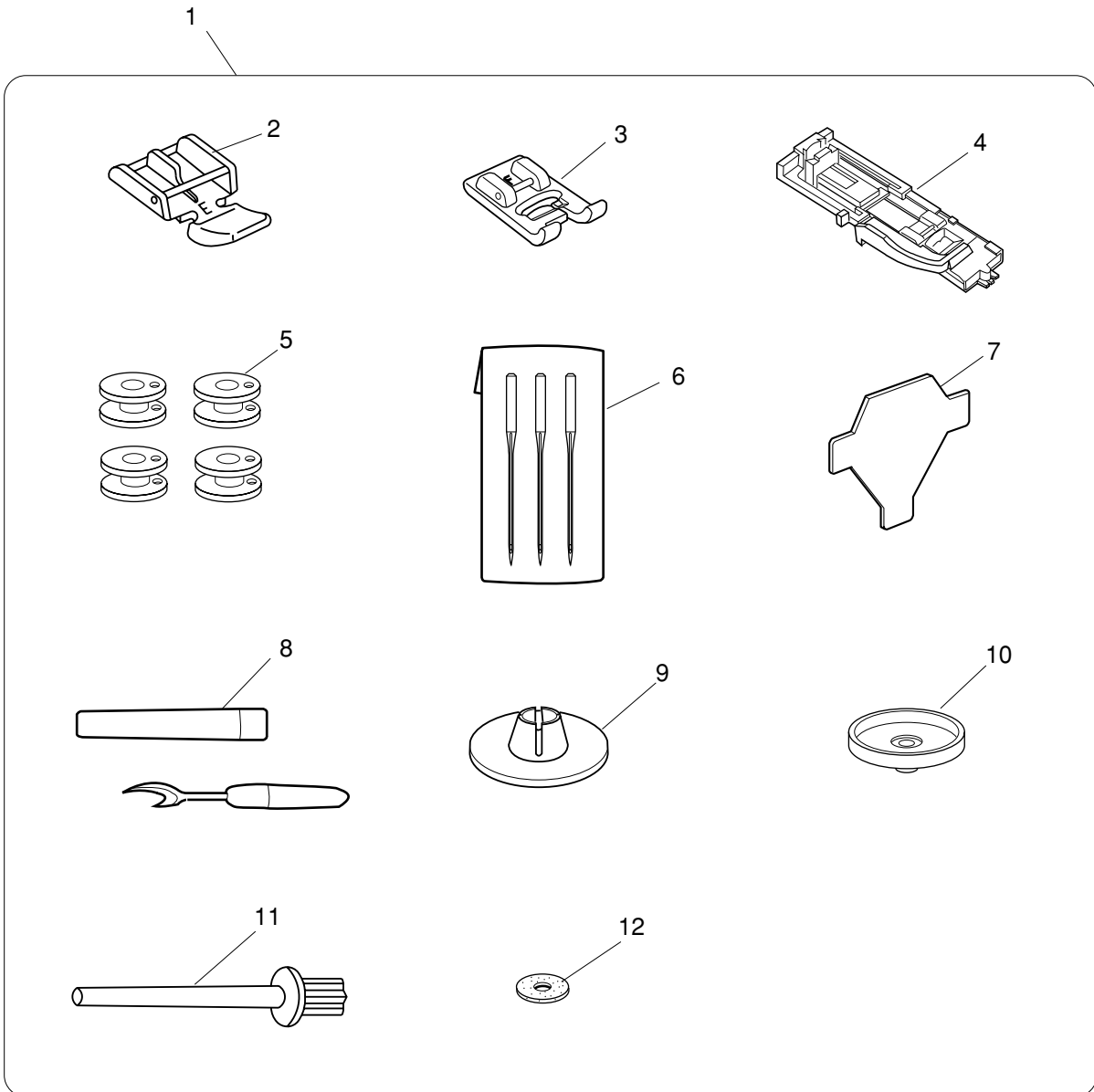
Part List



Part List

No.	Part Number	Description
1	843608104	Stepping motor (unit)
2	843505007	Printed circuit board P (unit)
3	000081005	Setscrew 4 X 8
4	843019009	Zigzag mechanism guard plate
5	000101404	Setscrew 4 X 6
6	000053008	Cord binder
7	843606009	Feed motor (unit)
8	000115205	Setscrew TP 4 X 6
9	000002105	Snap ring E-3
10	843512007	Transformer (unit) (120V)
	843516207	Transformer (unit) (230V/240V)
11	000115205	Setscrew TP 4 X 6
12	829020009	Transformer supporter
13	827506008	Bobbin winder (unit)
14	823119008	Bobbin winder arm spring
15	652093009	Setscrew
16	843628007	Machine socket base plate (unit)
17	843034000	Fixing plate
18	753507203	Buttonhole selector switch (unit)
19	843067002	Switch fixing base
20	000115700	Setscrew TP 4 X 10
21	830145005	Declutch arm
22	625215005	Declutch arm spring
23	625214004	Setscrew
24	845503403	Machine socket (unit) (120V)
	845504404	Machine socket (unit) (230V/240V)
25	000103509	Setscrew 4 X 10
26	652611009	Idler (unit)
27	843615403	Motor (unit)
28	000101817	Setscrew 4 X 16

Part List



Part List

No.	Part Number	Description
1	843870109	Attachment (unit)
2	829801002	Zipper foot
3	822804118	Satin foot
4	753801004	Automatic buttonhole foot
5	102261000	Bobbin
6	639804000	Assorted needle set (unit)
7	653802002	Screwdriver
8	647808009	Seam ripper (unit)
9	822019509	Spool cap (small)
10	829803004	Spool holder
11	625031500	Spool pin (2)
12	102403109	Felt
13	653524007	Power supply cord (USA & Canada)
	830314018	Power supply cord (Australia)
	830377008	Power supply cord (UK)
	830335004	Power supply cord (Continental Europe)
14	033570318	Foot control